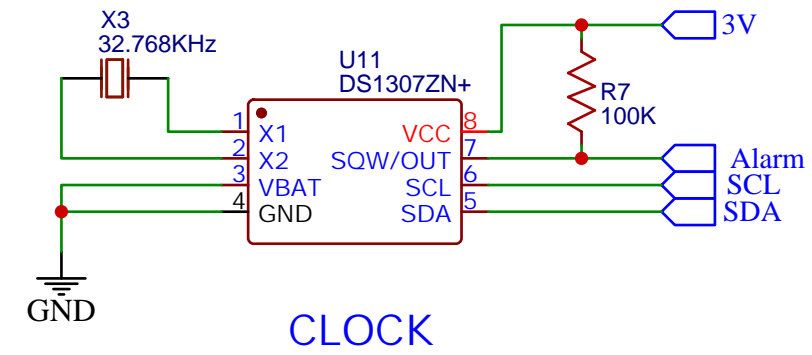
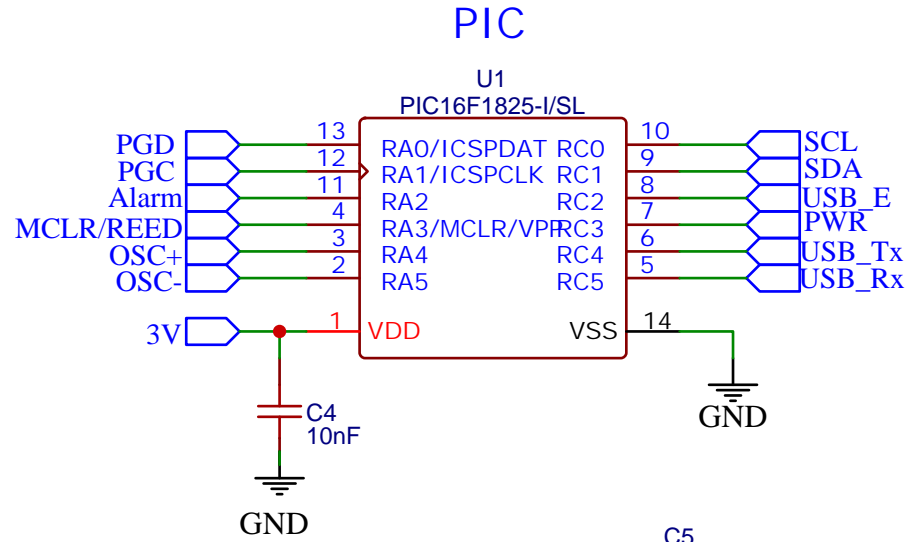
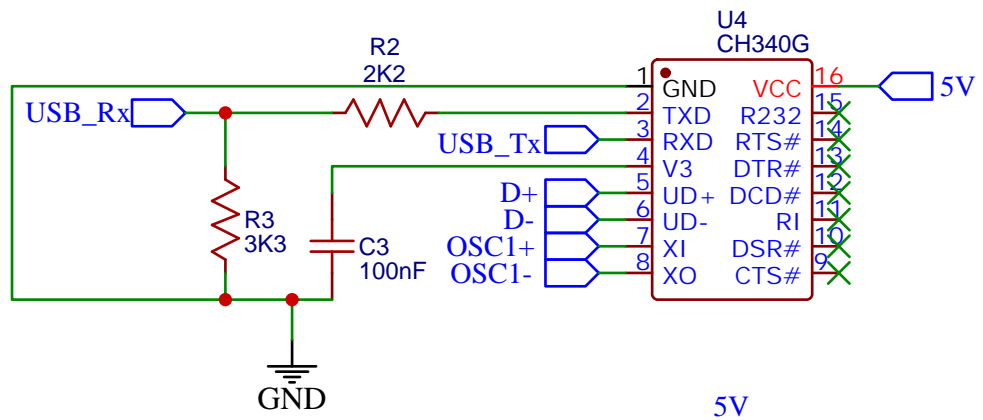


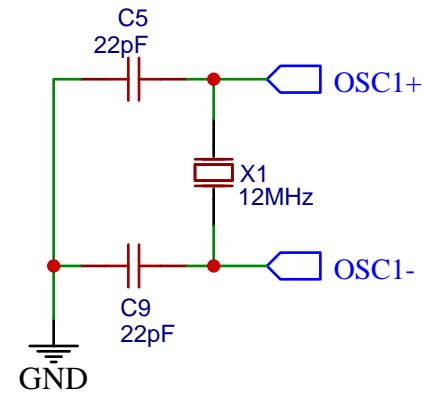
USB COMS



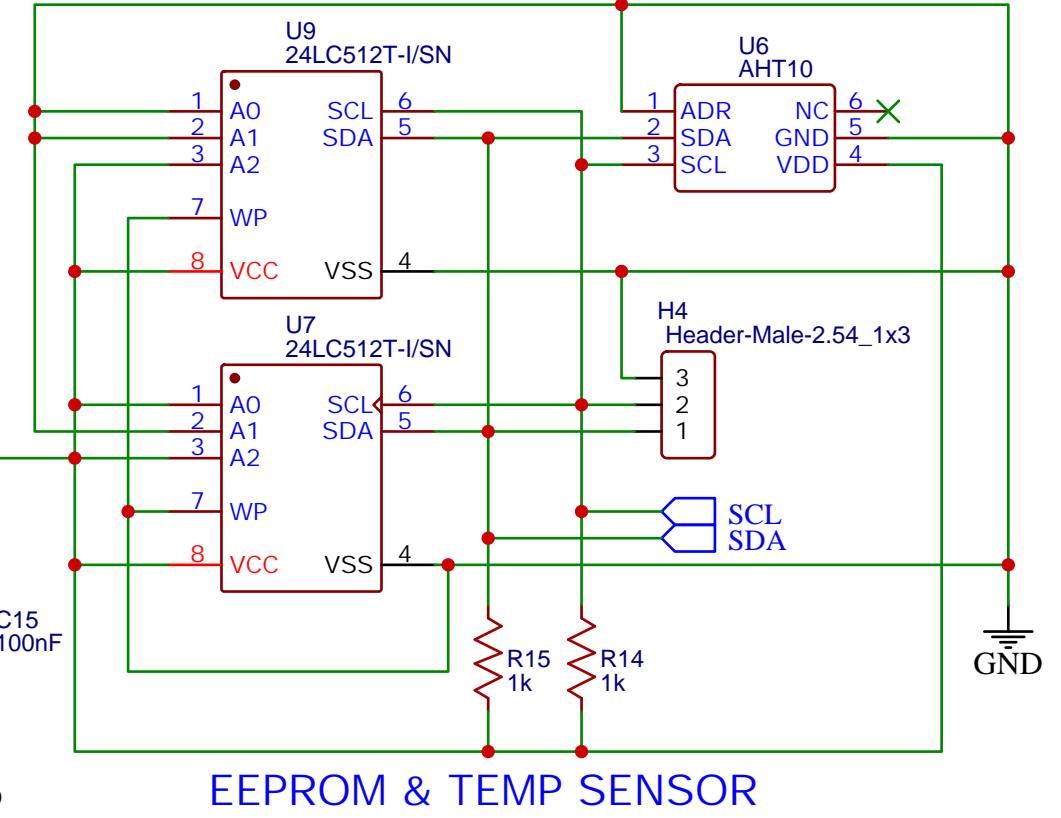
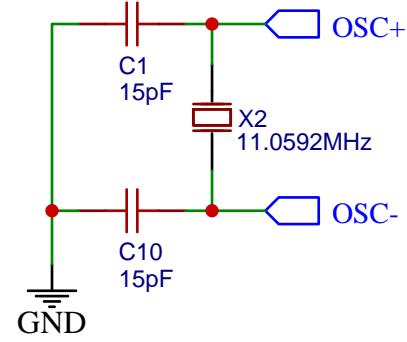
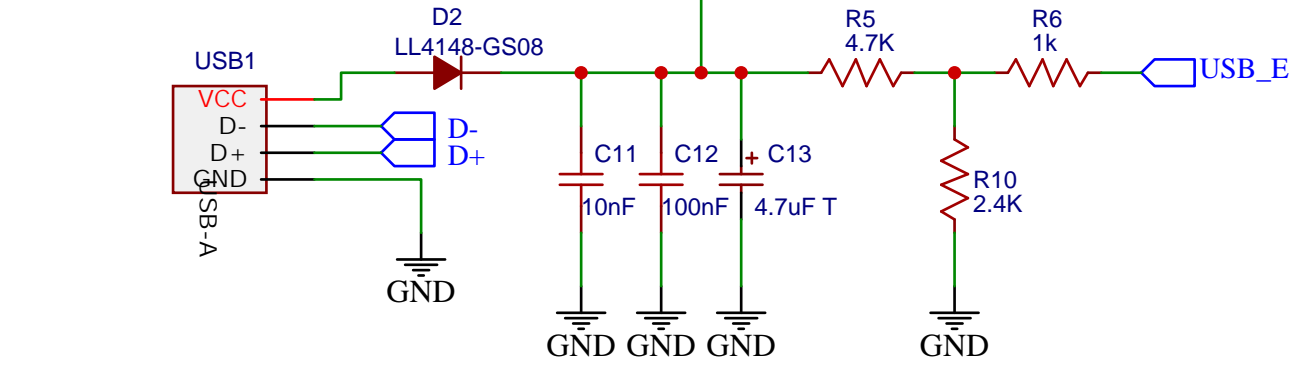
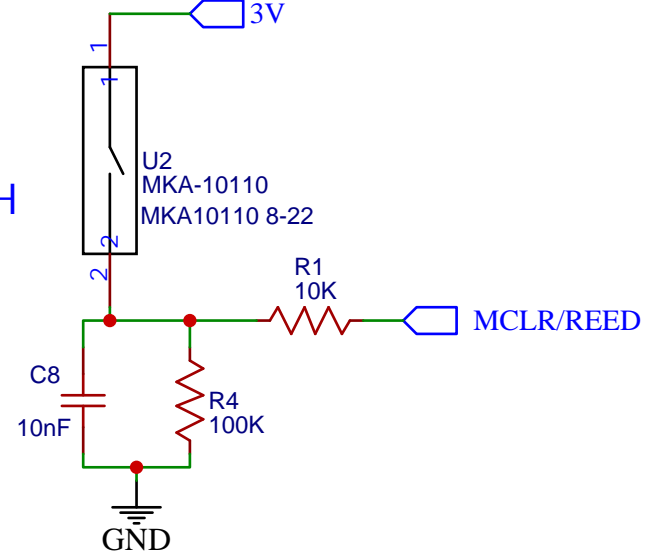
CLOCK



USB CONNECTOR

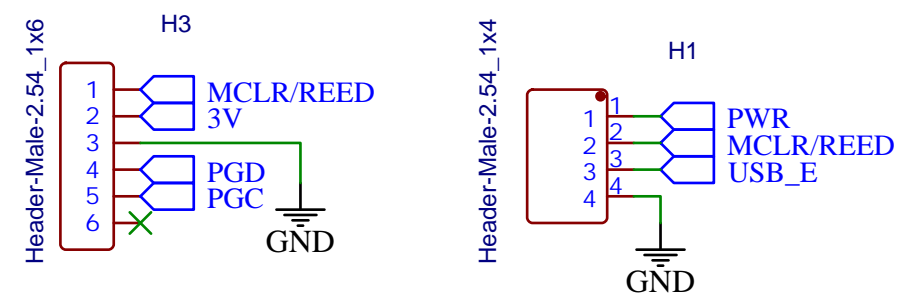


REED SWITCH



EEPROM & TEMP SENSOR

PROGRAMMER HEADER



TITLE: RAIN METER v1		REV: 1.0
EasyEDA	Company: AGRIGEL	Sheet: 1/1
	Date: 2019-11-25	Drawn By: dannylg100