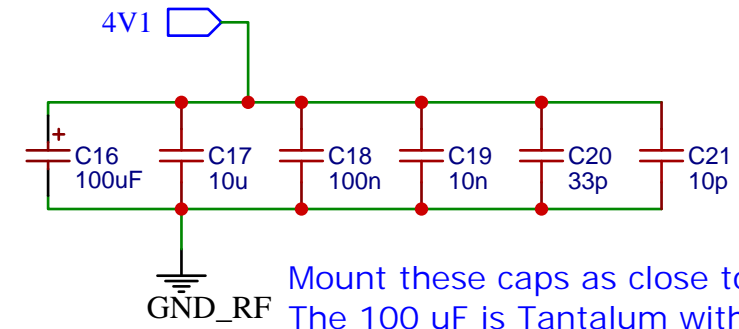
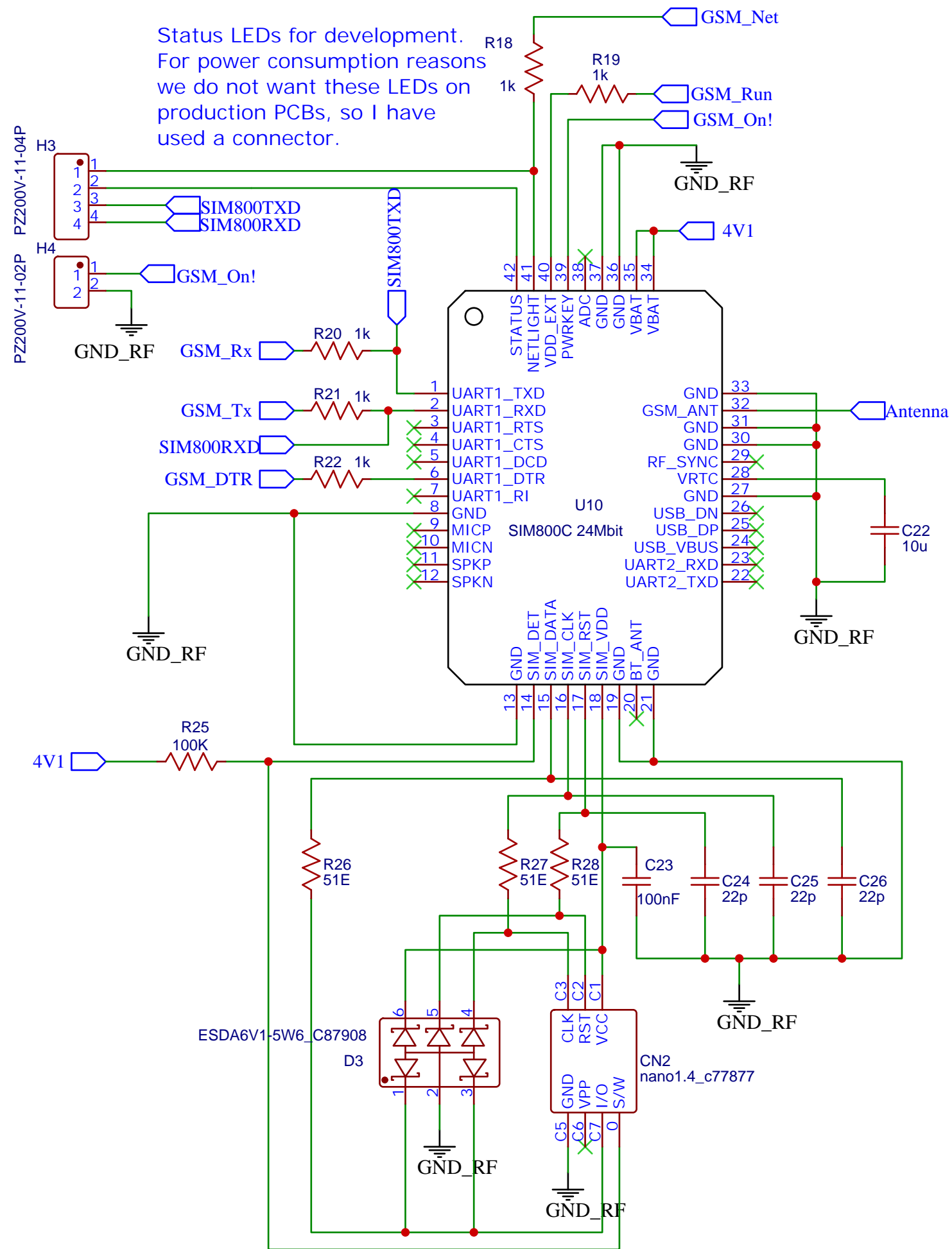
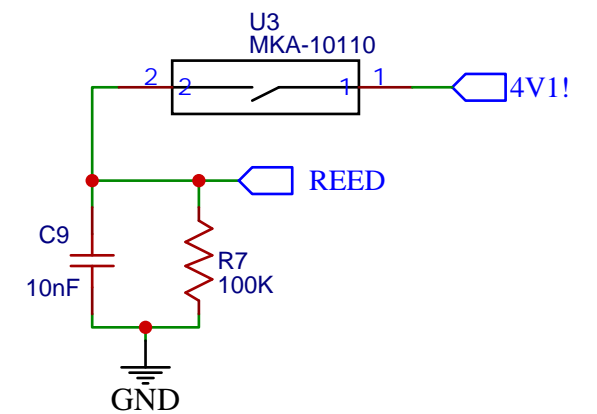
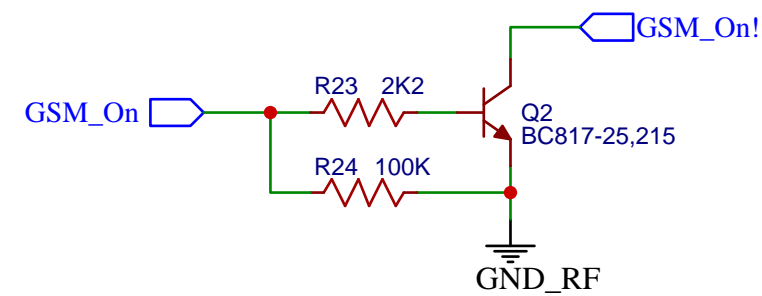
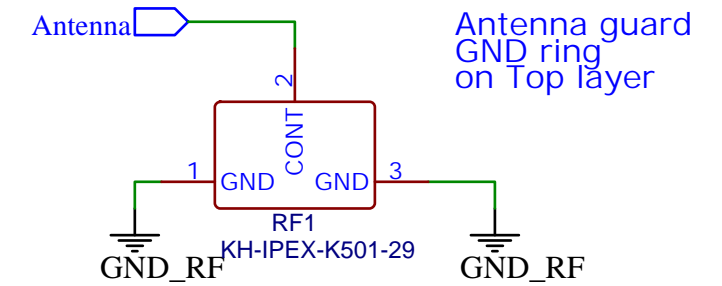


Status LEDs for development.
For power consumption reasons we do not want these LEDs on production PCBs, so I have used a connector.



Mount these caps as close to modem as possible.
The 100 uF is Tantalum with ESR<0.7E
If caps need to be reduced, remove 100n and 10n.



TITLE: RAIN GAUGE GSM		REV: 0202
EasyEDA	Company: AGRIGEL	Sheet: 2/2
	Date: 2020-01-22	Drawn By: dannylg100