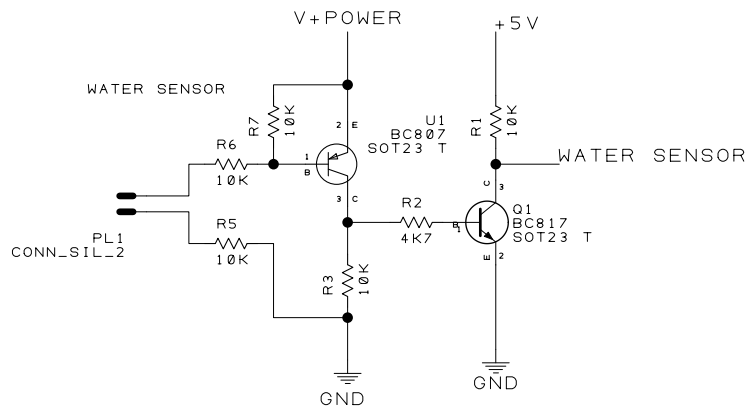
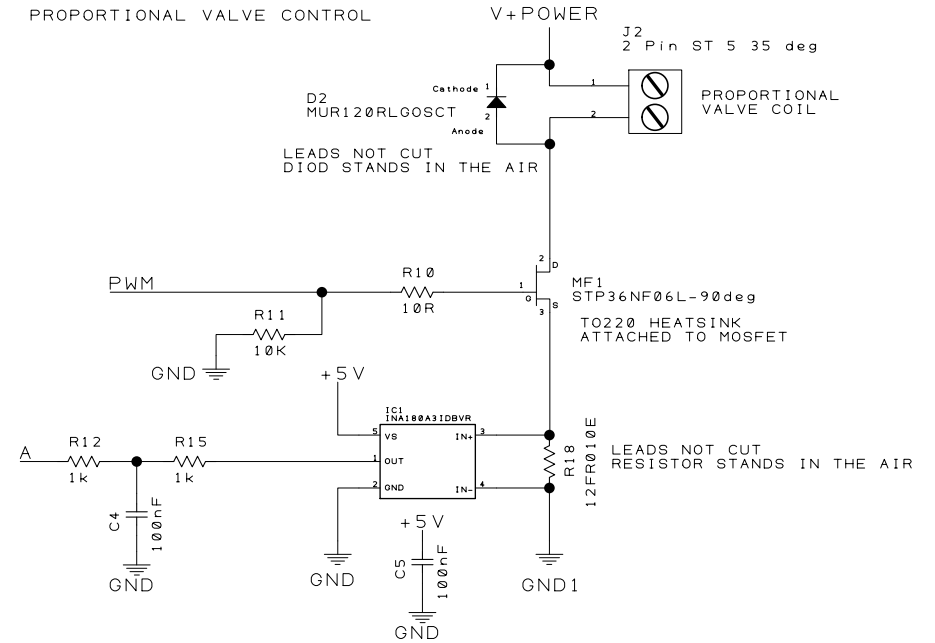


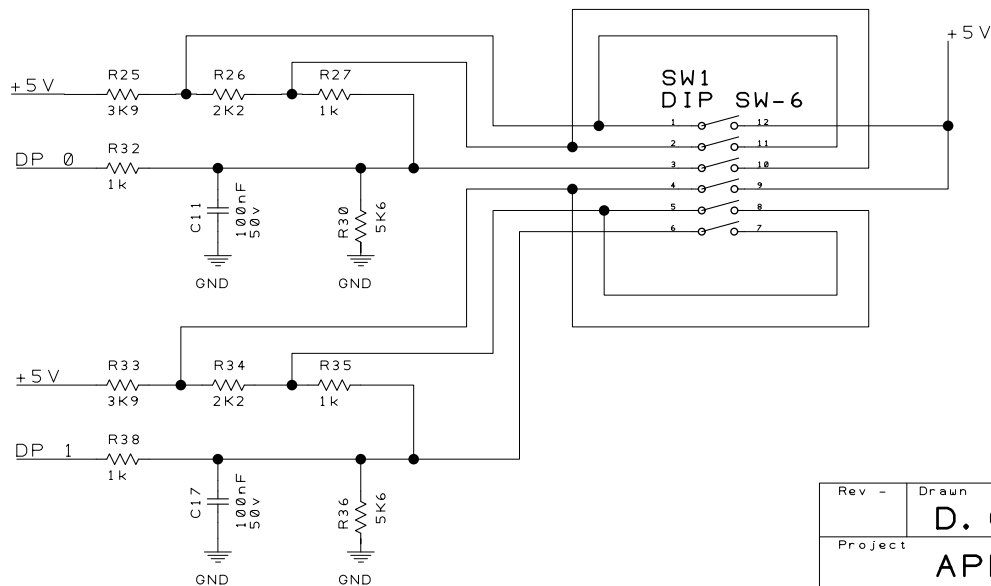
Rev -	Drawn	Check	Projection		AGRIGEL
	D. G.		Do Not Scale		
Project	APF	Client	AGRIGEL		
Title	RS485 HYD CONTROL		Filename	Drawing No.	Sheet
					1 of 2



PROPORTIONAL VALVE CONTROL



DIP SWITCH



Rev -	Drawn D. G.	Check	Projection Do Not Scale		AGRIGEL
Project	APF		Client AGRIGEL		
Title RS485 HYD CONTROL	Filename	Drawing No.	Sheet 2 of 2		