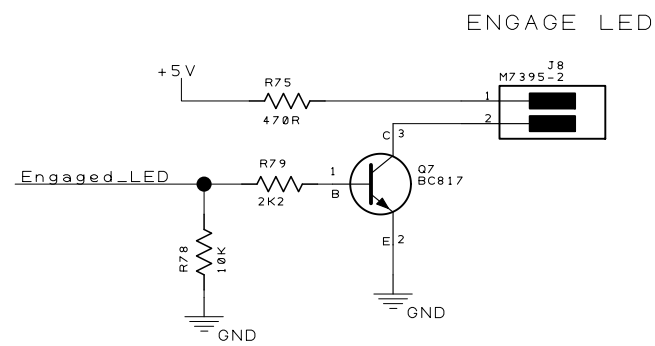
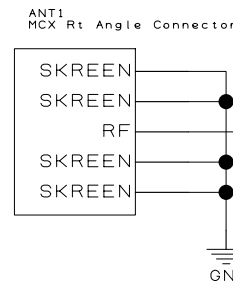


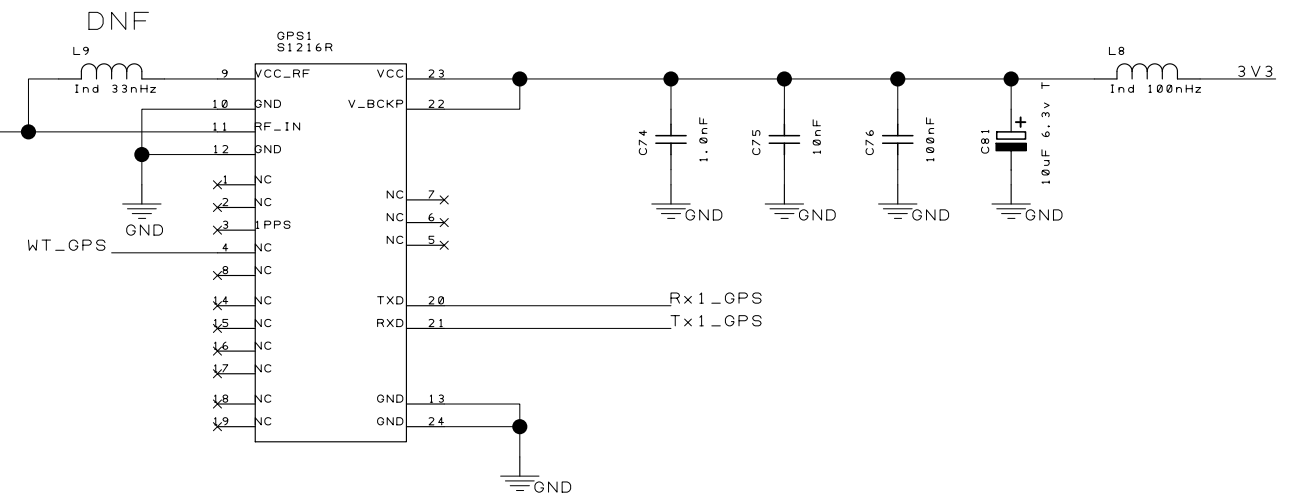
27pF ASKED FOR VNC1L-1A or VNC2L ???

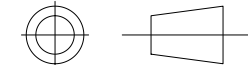


GPS ANTENNA



GPS MODULE S1216DR8



Rev -	Drawn D. G.	Check R. F.	Projection Do Not Scale		AGRIGEL
Project	PRECISION PLANTING		Client		
Title	PRECISION FLOW CONTROL		Filename	MAIN BOARD 03	Drawing No.
				Sheet	6 of 6