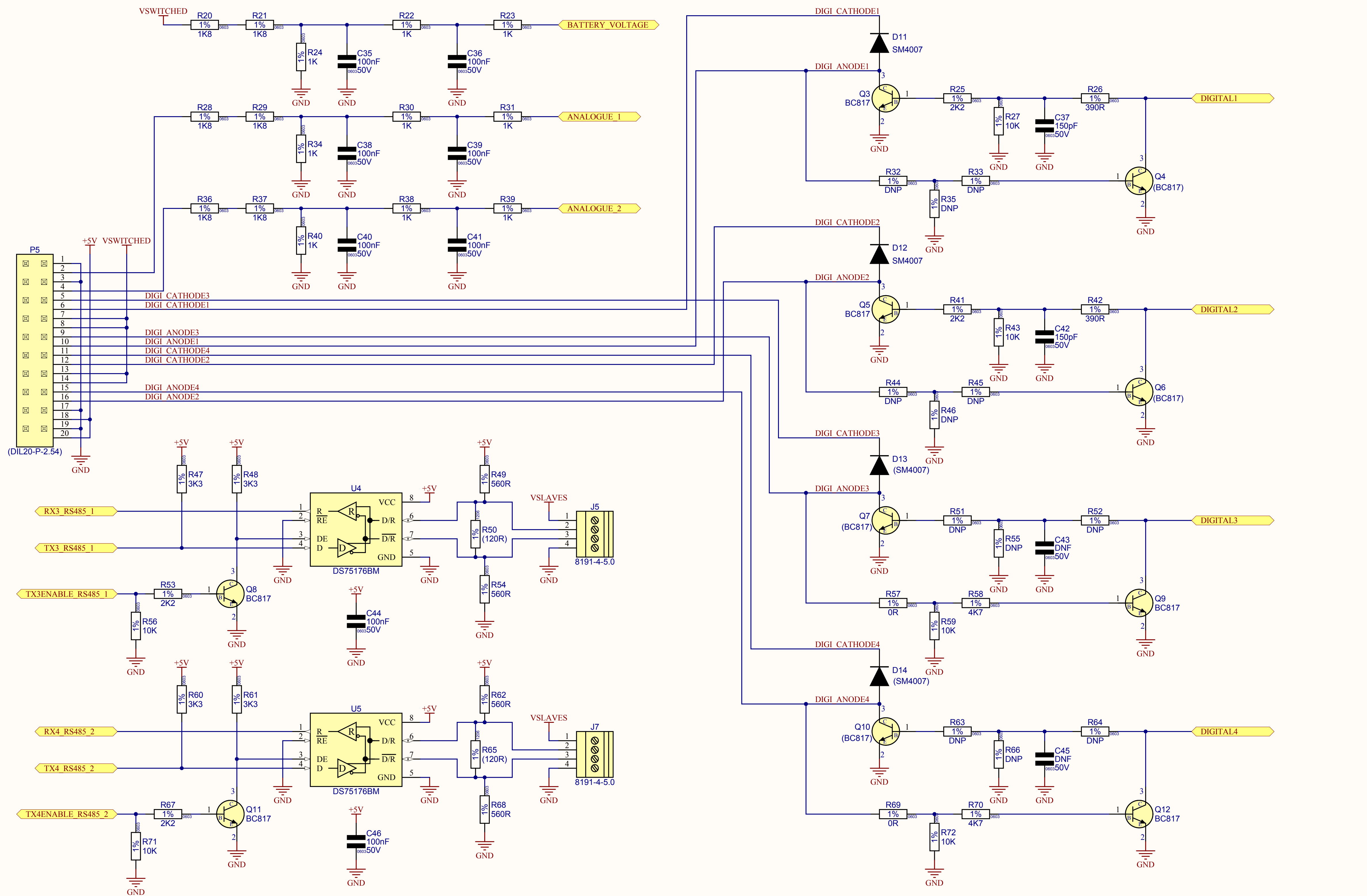


NOTES:

AGRIGEL

DOCUMENT APPROVAL						
DRAWN	REVIEWED	APPROVED	QA	CM	DATE	ECR NO.
DG	DG	DG	-	-	01/03/2013	-

DOCUMENT IDENTIFICATION			
TITLE:	Main		
DOC NUMBER:	NA	SHEET	1 OF 7
SOURCE FILE:	Main-1.SchDoc	VER:	01.00
			DOC REV01



NOTES:

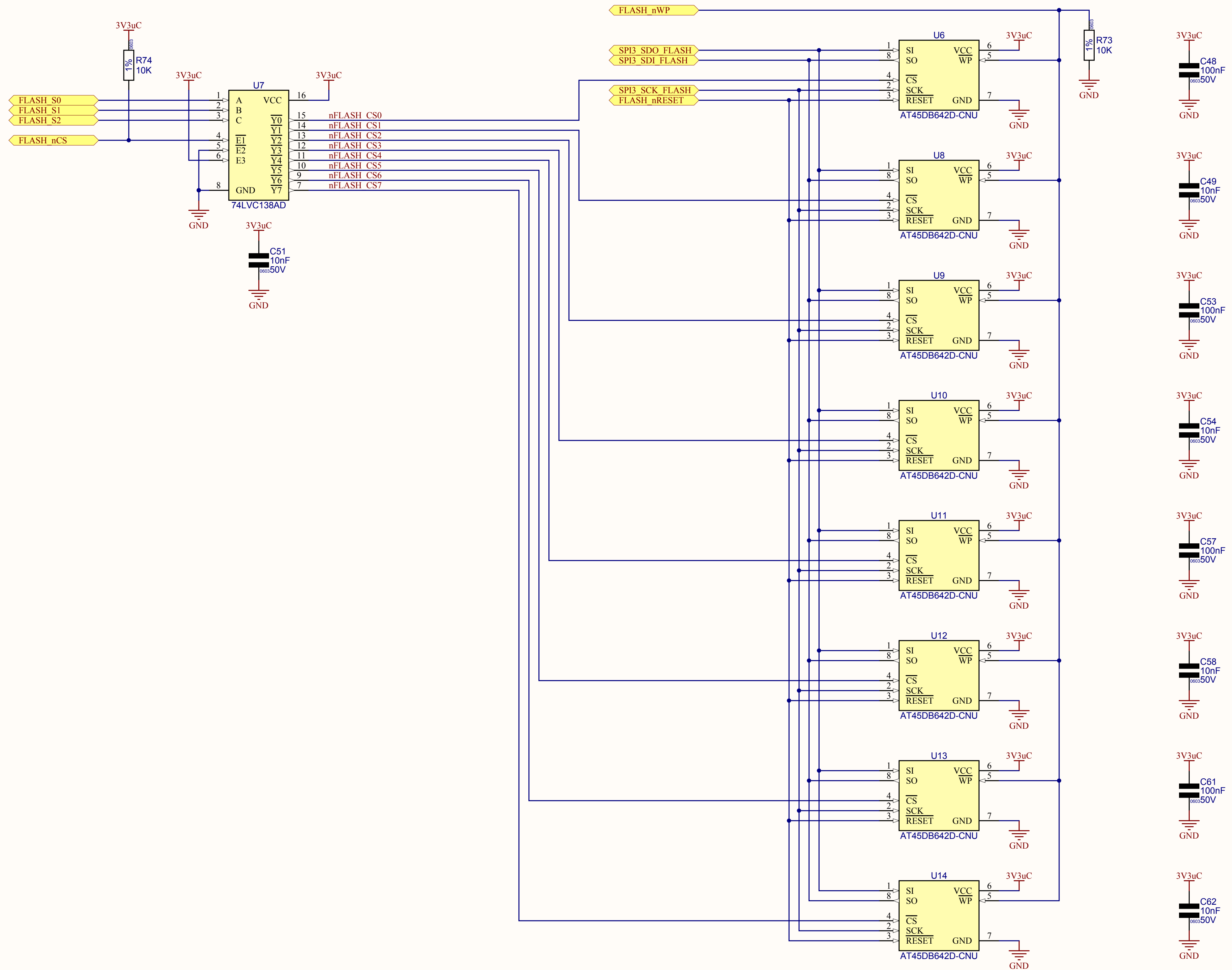
AGRIGEL

DOCUMENT APPROVAL

DRAWN	REVIEWED	APPROVED	QA	CM	DATE	ECR NO.
DG	DG	DG	-	-	01/03/2013	-

DOCUMENT IDENTIFICATION

TITLE: Main	SHEET 3 OF 7
DOC NUMBER: NA	VER: 01.00
SOURCE FILE: Main-3.SchDoc	DOC REV01

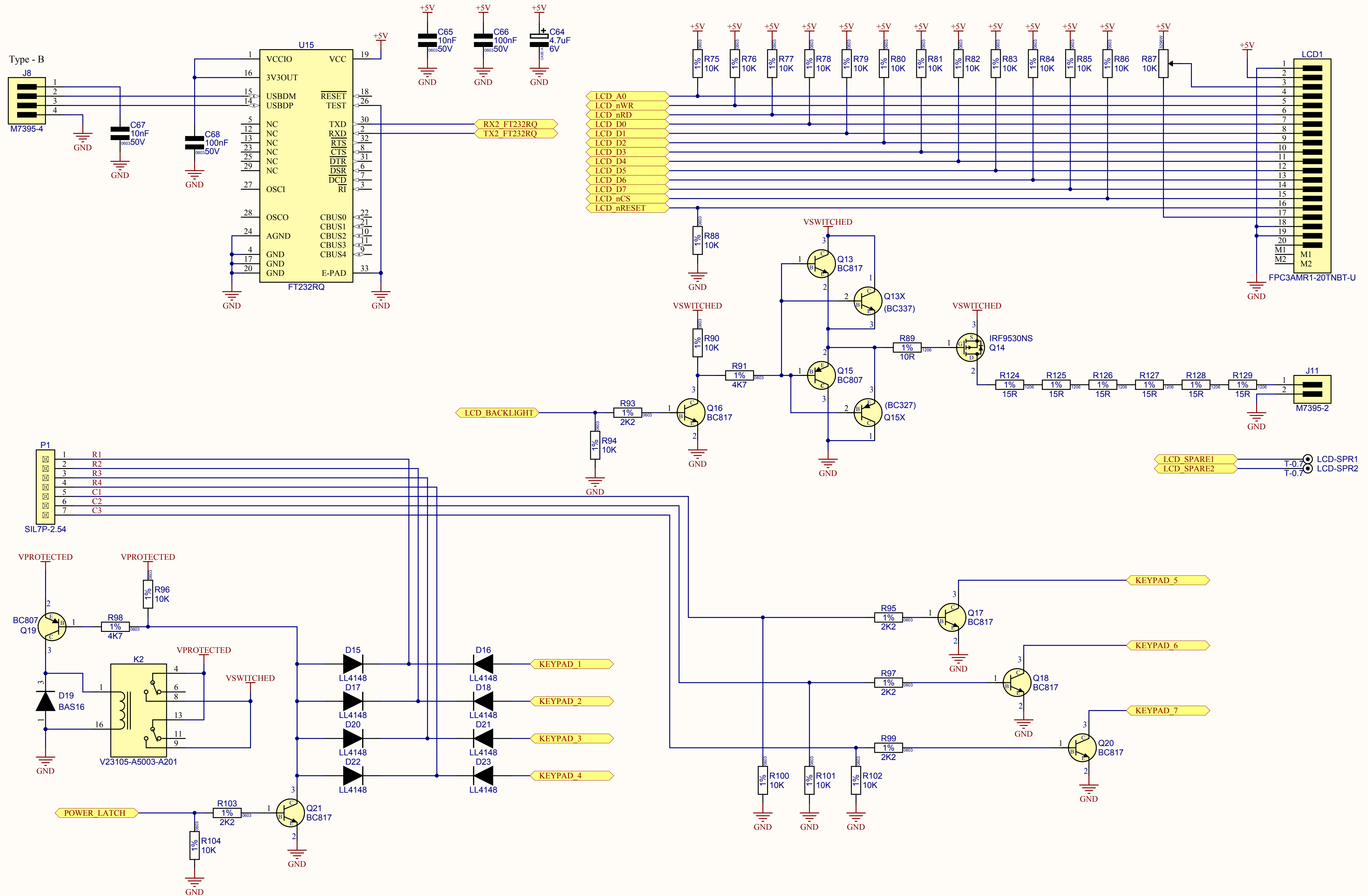


NOTES:

AGRIGEL

DOCUMENT APPROVAL						
DRAWN	REVIEWED	APPROVED	QA	CM	DATE	ECR NO.
DG	DG	DG	-	-	01/03/2013	-

DOCUMENT IDENTIFICATION			
TITLE:	Main		
DOC NUMBER:	NA	SHEET	4 OF 7
SOURCE FILE:	Main-4.SchDoc	VER:	01.00
		DOC REV01	



NOTES:

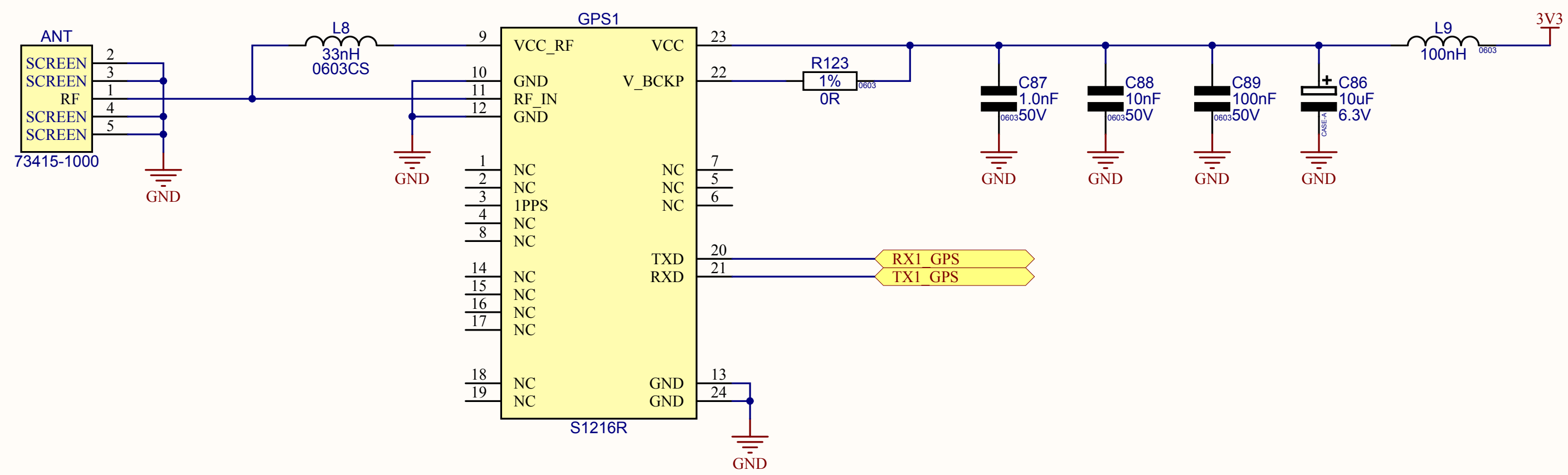
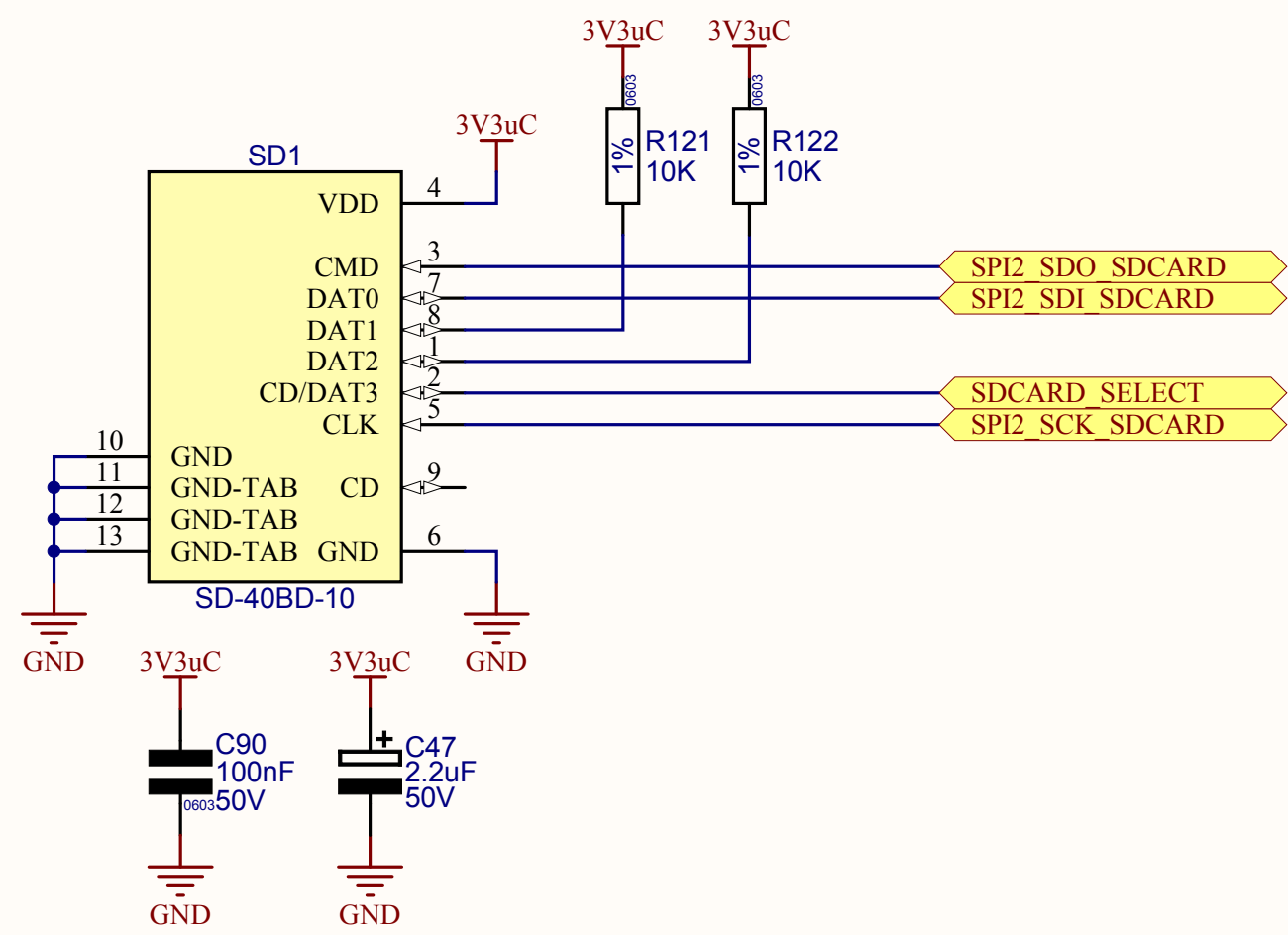
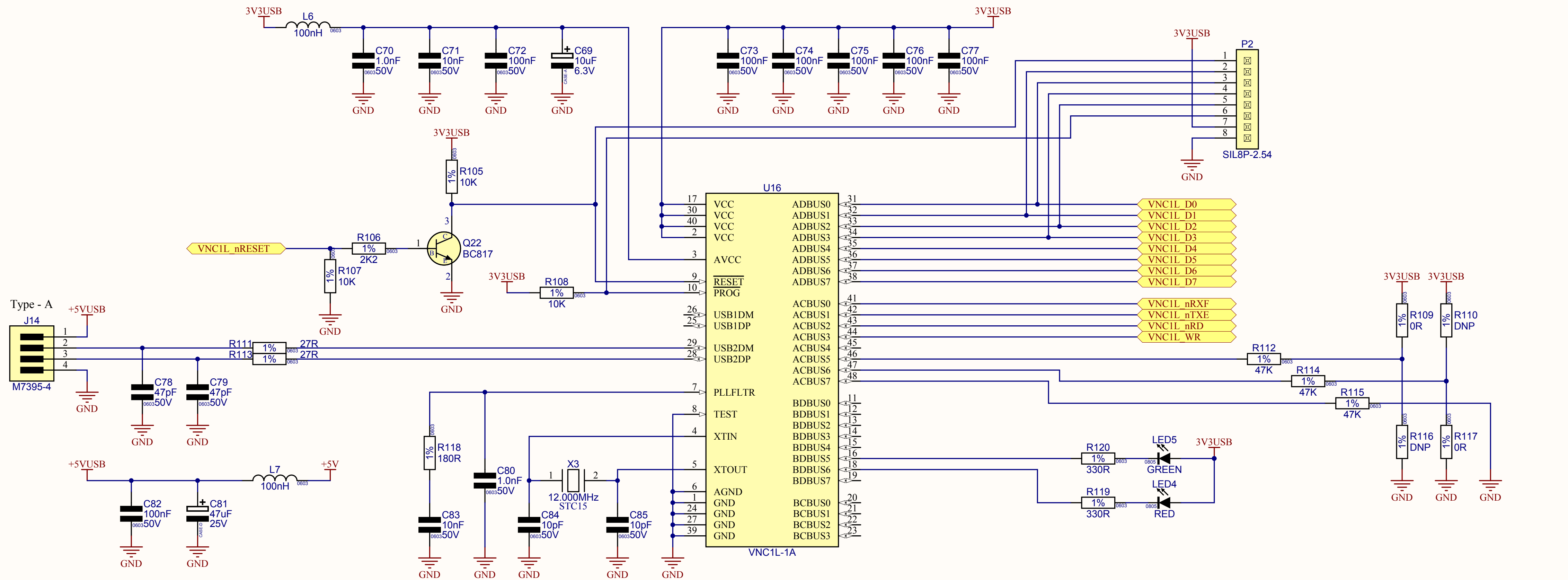
AGRIGEL

DOCUMENT APPROVAL

DRAWN	REVIEWED	APPROVED	QA	CM	DATE	ECR NO.
DG	DG	DG	-	-	01/03/2013	-

DOCUMENT IDENTIFICATION

TITLE:	Main
DOC NUMBER:	NA
SOURCE FILE:	Main-5.SchDoc
SHEET	5 OF 7
VER:	01.00
DOC REV	01



NOTES:

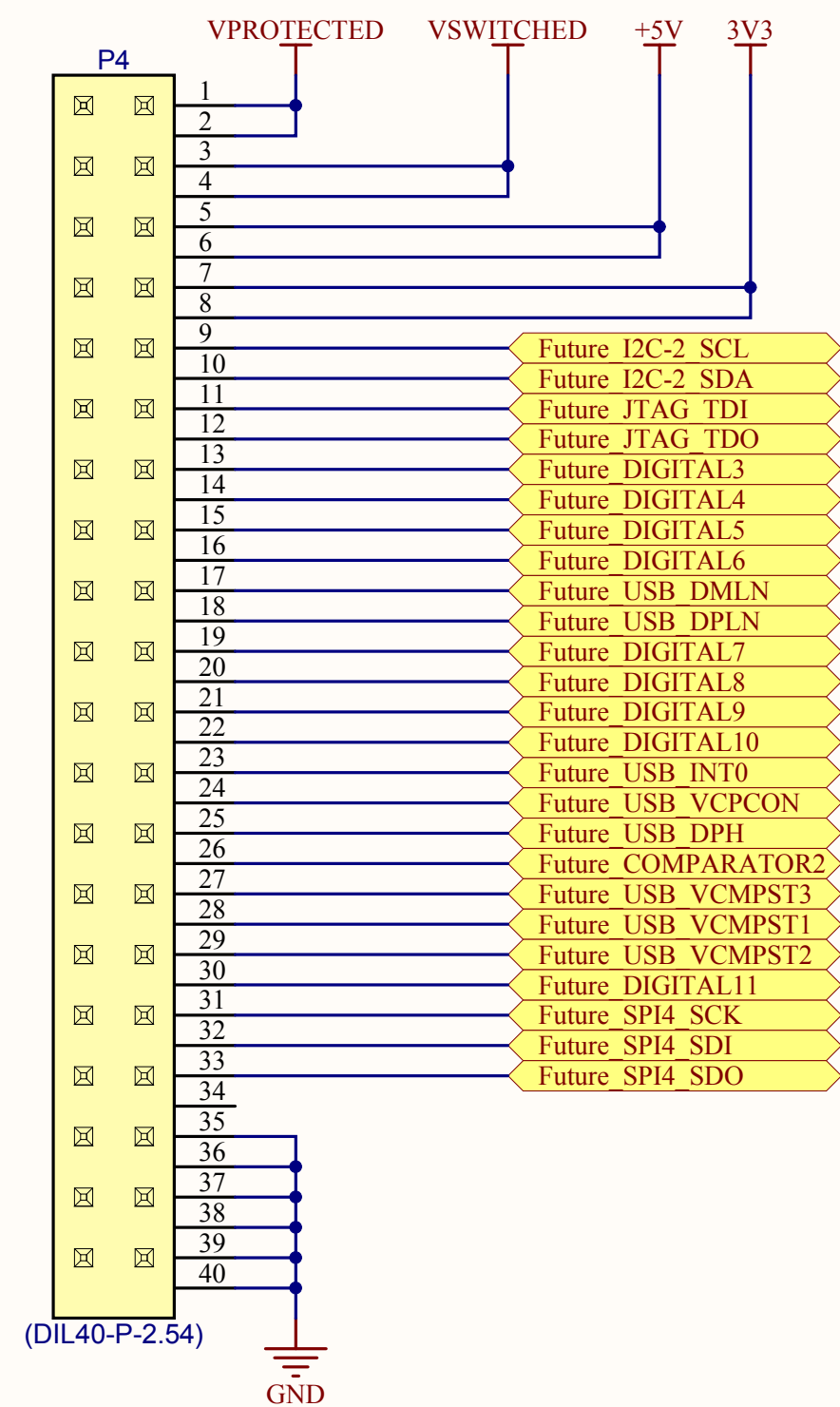
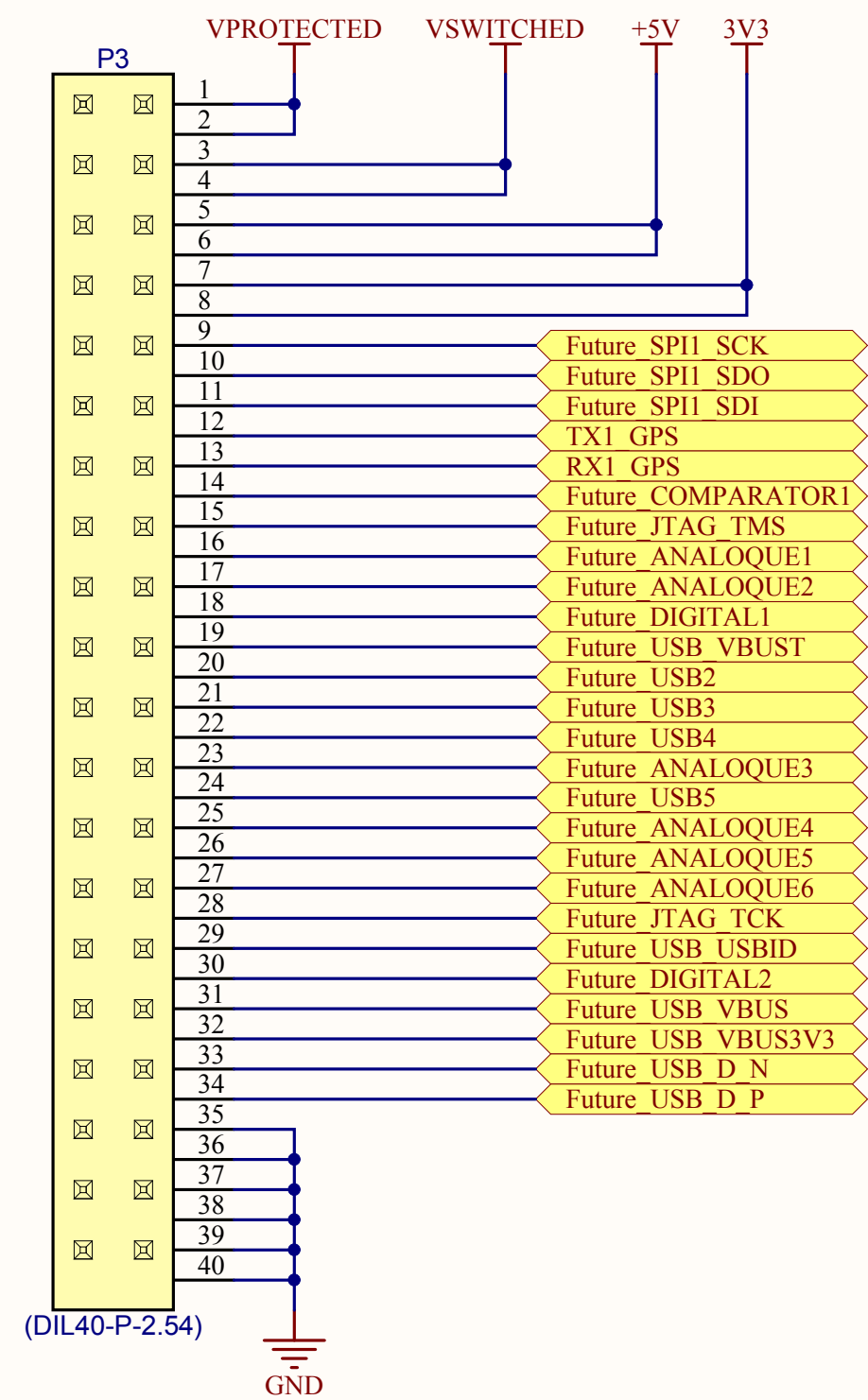
AGRIGEL

DOCUMENT IDENTIFICATION

DOCUMENT APPROVAL

DRAWN	REVIEWED	APPROVED	QA	CM	DATE	ECR NO.
DG	DG	DG	-	-	01/03/2013	-

TITLE:	Main
DOC NUMBER:	NA
SHEET	6 OF 7
SOURCE FILE:	Main-6.SchDoc
VER:	01.00
DOC REV01	



NOTES:

AGRIGEL

DOCUMENT APPROVAL						
DRAWN	REVIEWED	APPROVED	QA	CM	DATE	ECR NO.
DG	DG	DG	-	-	01/03/2013	-

DOCUMENT IDENTIFICATION			
TITLE: Main			
DOC NUMBER: NA	SHEET 7 OF 7		
SOURCE FILE: Main-7.SchDoc	VER: 01.00	DOC REV01	