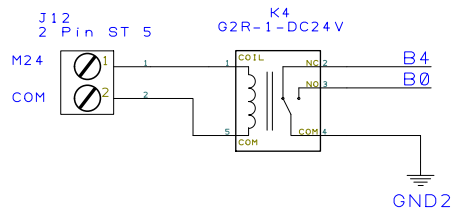


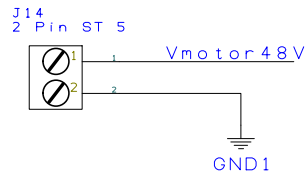
Rev - 0100	Drawn D. L. G.	Check	Projection Do Not Scale		AGRIGEL
Project INDEX TABLE CONTROLLER	Client PREMAC		Client		
Title INDEX PCB	Filename Index Contrller.prj		Drawing No.	Sheet 1 of 3	

STEPPER MOTOR DRIVER

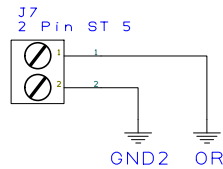
M24 FROM DAHLIH



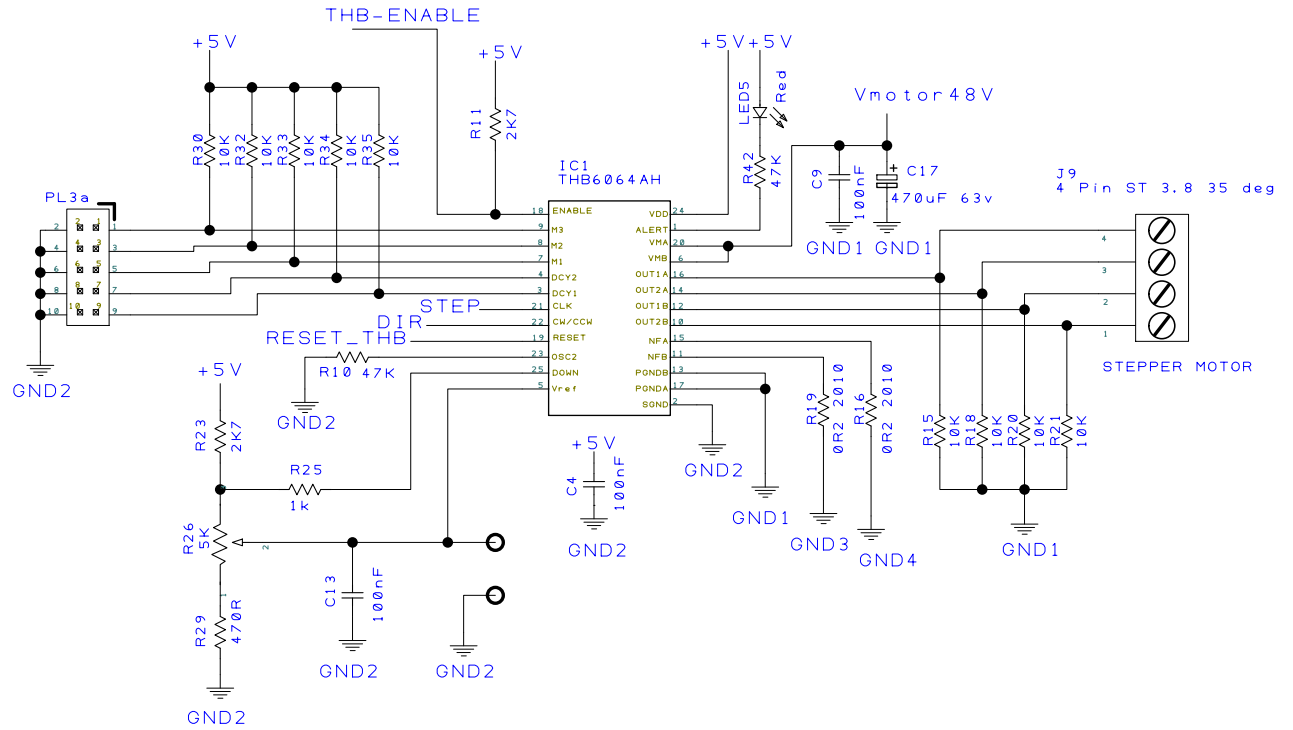
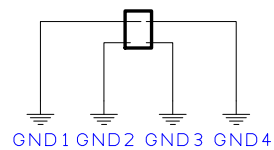
48V SUPPLY



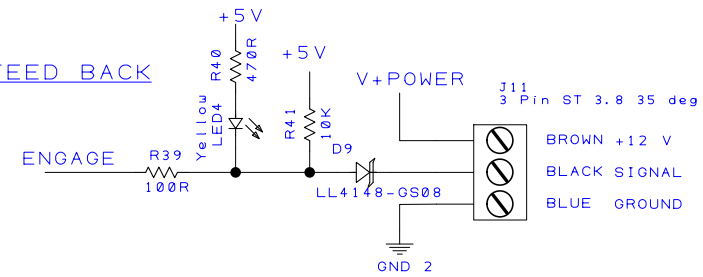
OVER RIDE ENABLE



GROUND LINK

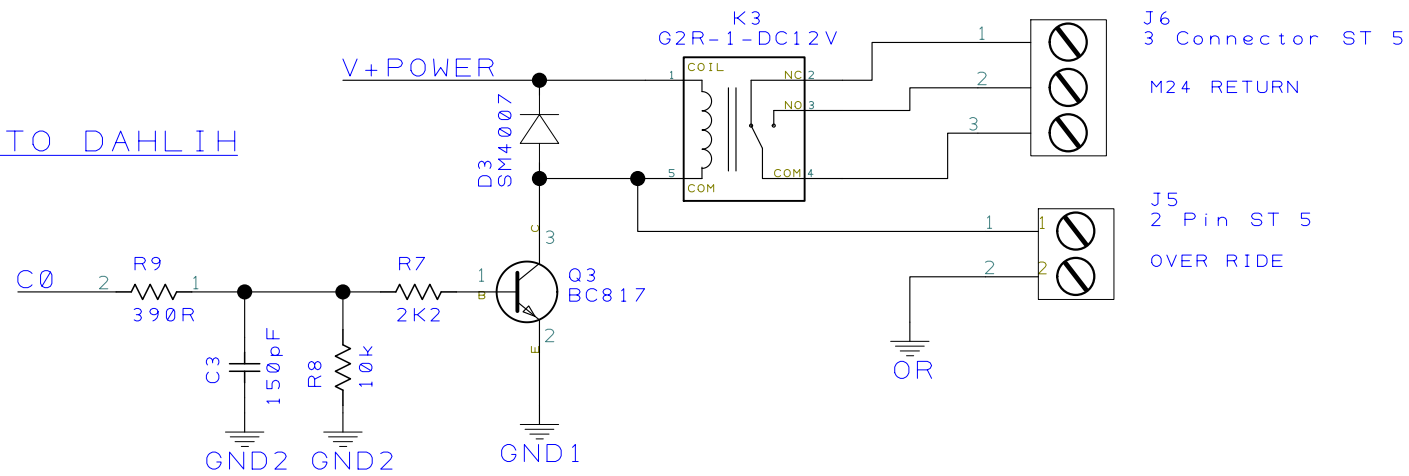


ROTARY FEED BACK

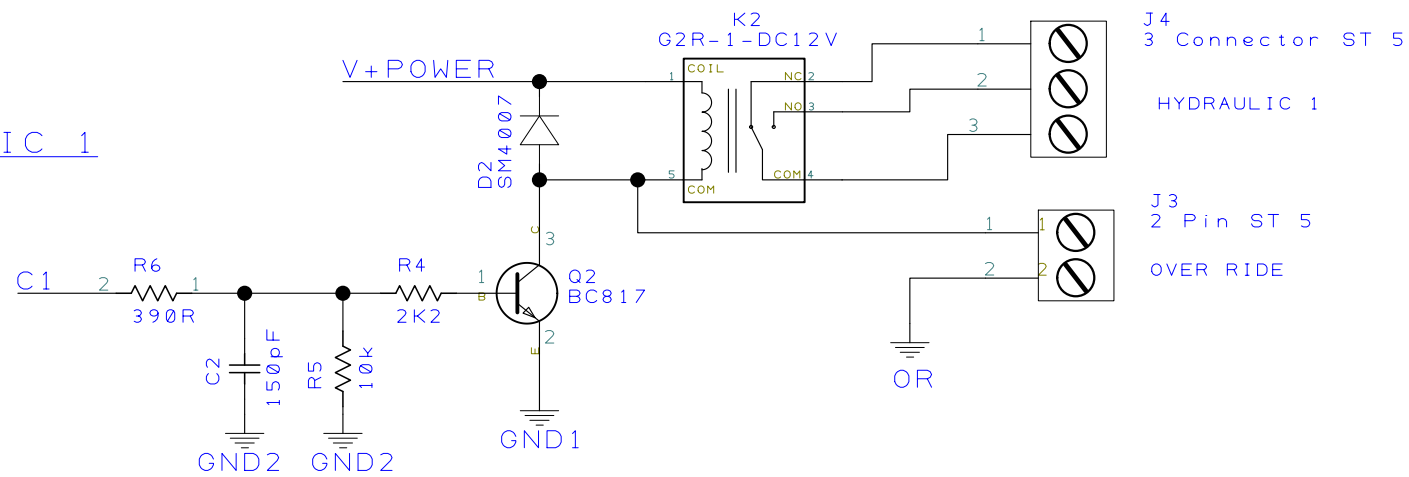


Rev - 0100	Drawn D. L. G.	Check	Projection Do Not Scale		AGRIGEL
Project INDEX TABLE CONTROLLER			Client PREMAC		
Title INDEX PCB			Filename Index Contrpller.prj	Drawing No.	

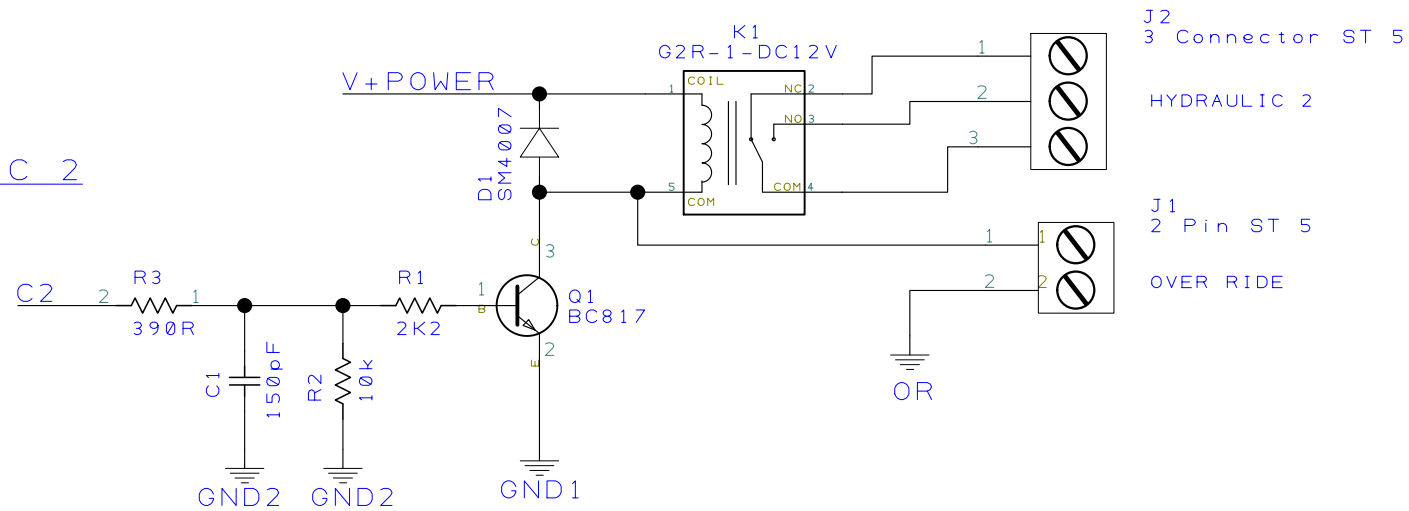
M24 RETURN TO DAHLIH



HYDRAULIC 1



HYDRAULIC 2



Rev - 0100	Drawn D. L. G.	Check	Projection Do Not Scale		AGRIGEL
Project INDEX TABLE CONTROLLER			Client PREMAC		
Title INDEX PCB			Filename Index Contrpller.prj	Drawing No.	Sheet 3 of 3