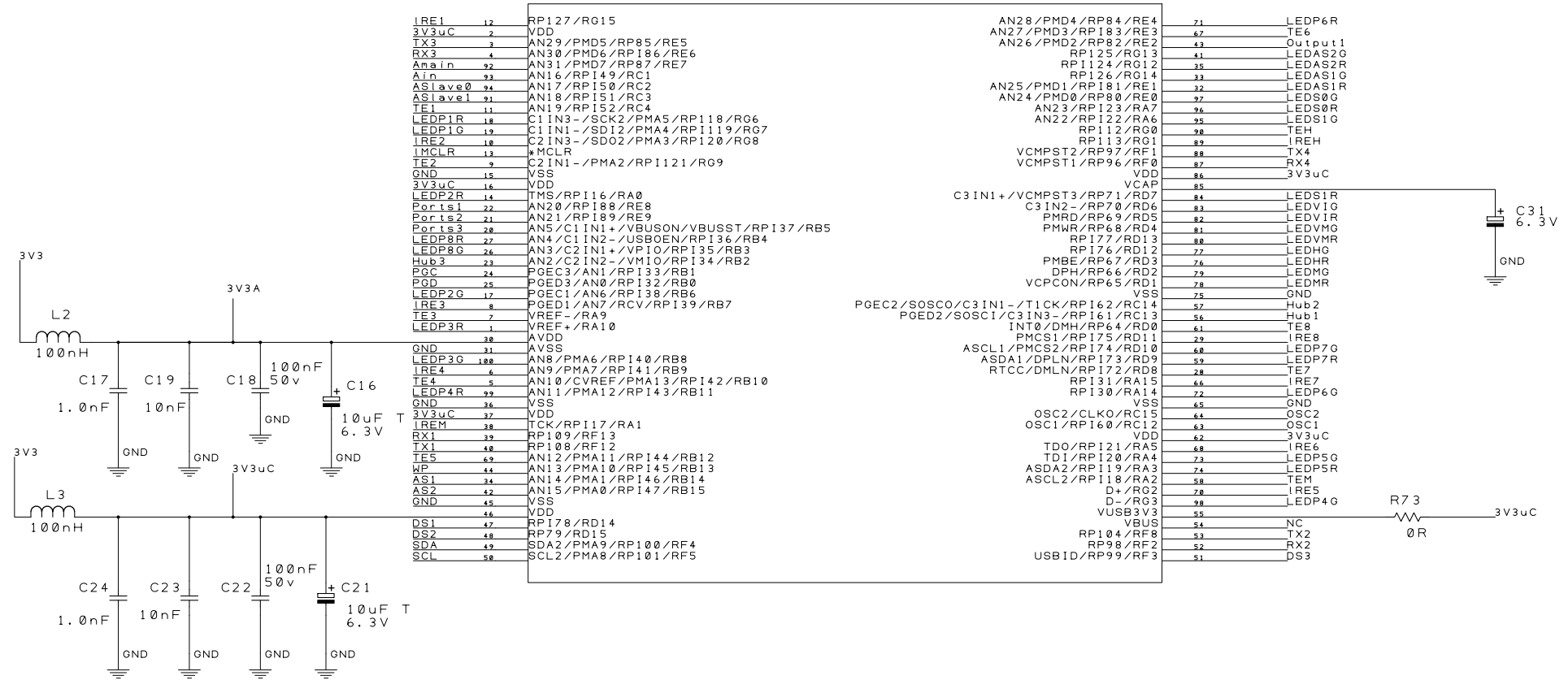


Rev -	Drawn	Check	Projection Do Not Scale			AGRIGEL	
Project			Client				
Title			Filename		Drawing No.		

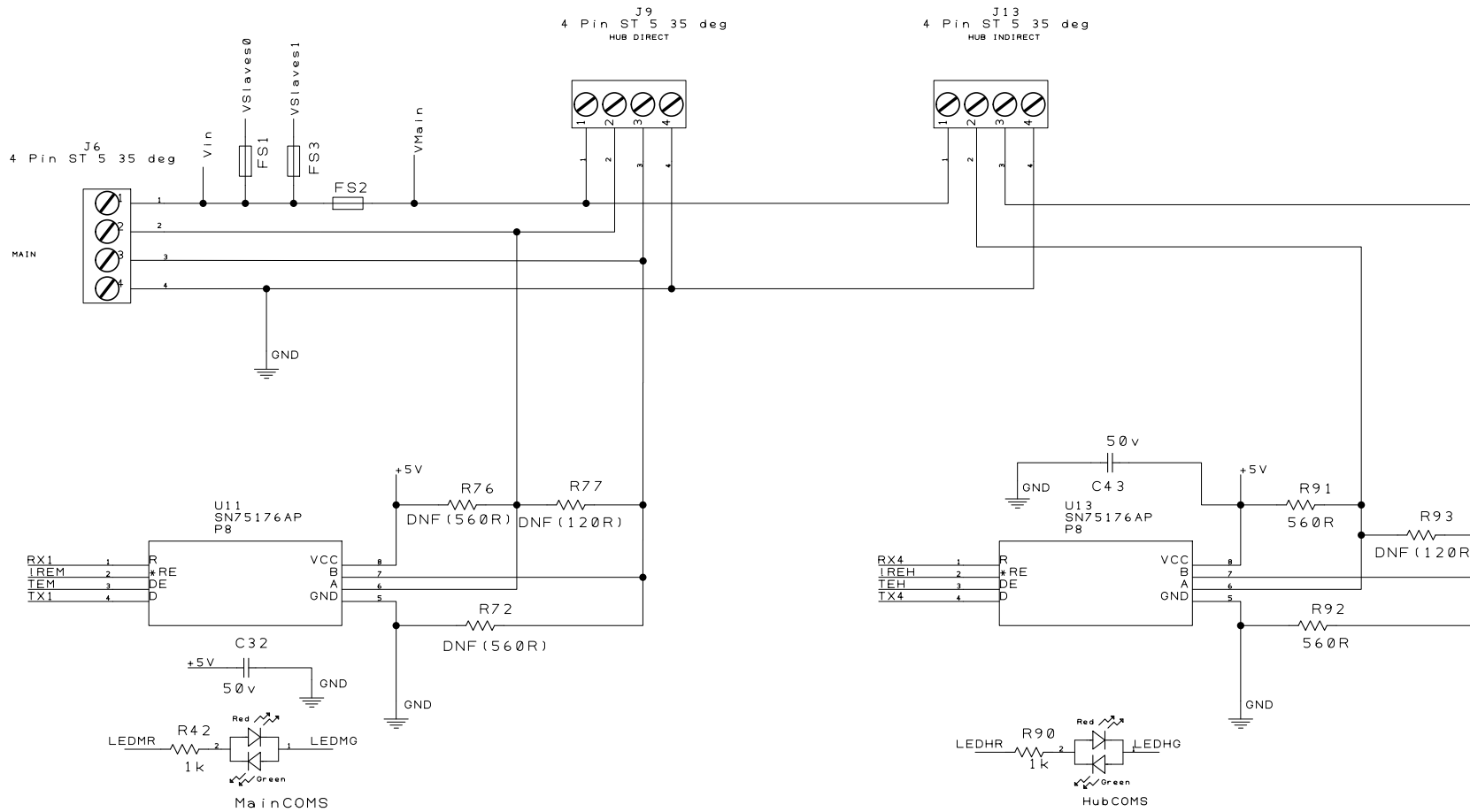
U8
PIC24EP512GU810-1/PT
TQFP100-12X12MC-L



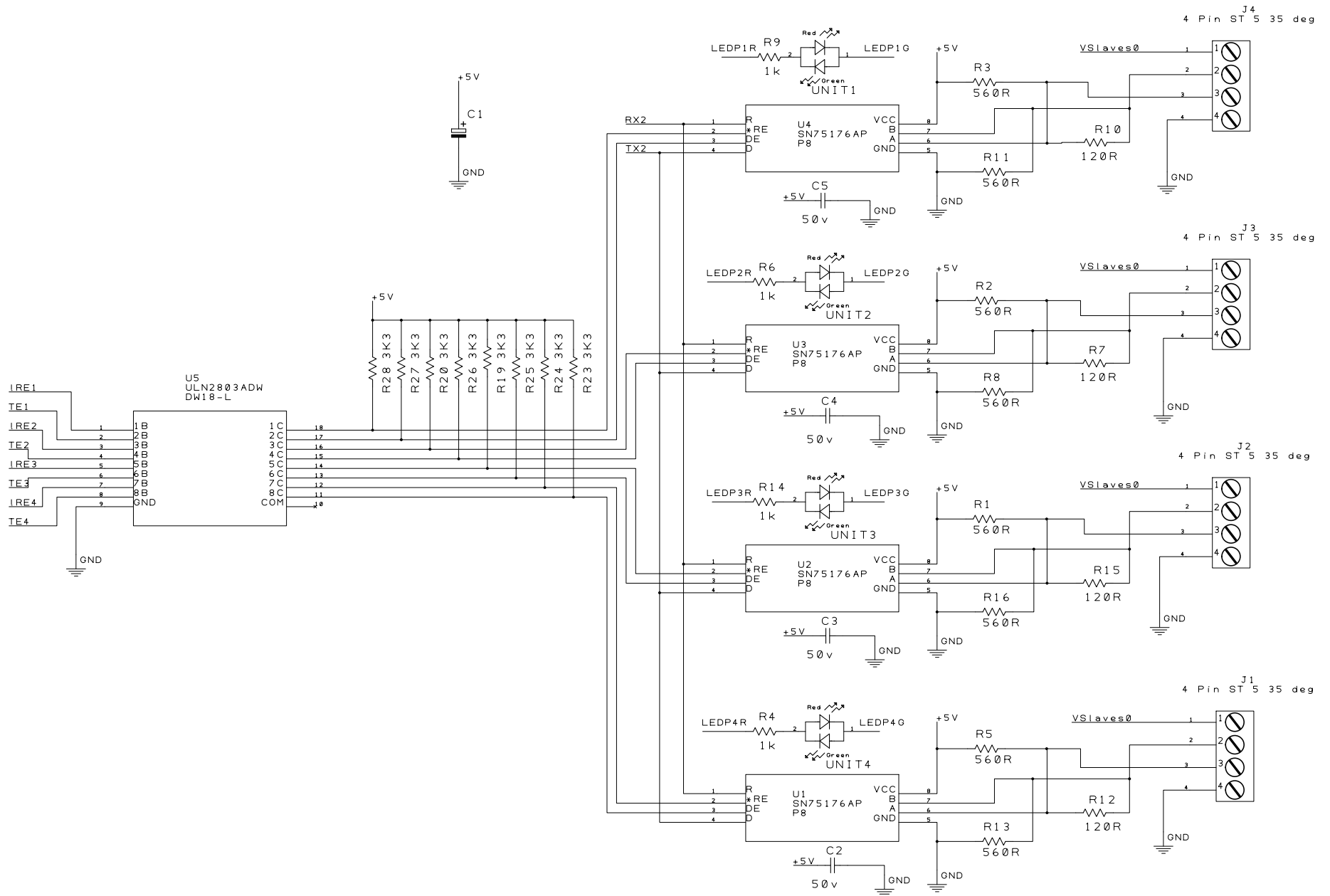
IRE1	12	RP127/RG15
3V3uC	2	VDD
TX3	3	AN29/PMD5/RP85/RE5
RX3	4	AN30/PMD6/RP186/RE6
AnaIn	92	AN31/PMD7/RP87/RE7
AIN	93	AN16/RP149/RC1
ASlave0	94	AN17/RP150/RC2
ASlave1	91	AN18/RP151/RC3
TE1	11	AN19/RP152/RC4
LEDP1R	18	C1IN3-/SCK2/PMA5/RP118/RG6
LEDP1G	19	C1IN1-/SD12/PMA4/RP1119/RG7
IRE2	18	C2IN3-/SD02/PMA3/RP120/RG8
IMCLR	13	*MCLR
TE2	9	C2IN1-/PMA2/RP1121/RG9
GND	15	VSS
3V3uC	16	VDD
LEDP2R	14	TMS/RP116/RA0
Ports1	22	AN20/RP188/RE8
Ports2	21	AN21/RP189/RE9
Ports3	28	AN5/C1IN1+/VBUSON/VBUSST/RP137/RB5
LEDP8R	27	AN4/C1IN2-/USBOEN/RP136/RB4
LEDP8G	26	AN3/C2IN1+/VP10/RP135/RB3
Hub3	23	AN2/C2IN2-/VM10/RP134/RB2
PGC	24	PGEC3/AN1/RP133/RB1
PGD	25	PGED3/AN0/RP132/RB0
LEDP2G	17	PGEC1/AN6/RP138/RB6
IRE3	8	PGED1/AN7/RVC/RP139/RB7
TE3	7	VREF-/RA9
LEDP3R	1	VREF+/RA10
GND	38	AVDD
GND	31	AVSS
LEDP3G	188	AN8/PMA6/RP140/RB8
IRE4	6	AN9/PMA7/RP141/RB9
TE4	5	AN10/CVREF/PMA13/RP142/RB10
LEDP4R	99	AN11/PMA12/RP143/RB11
GND	36	VSS
3V3uC	37	VDD
IREM	38	TCK/RP117/RA1
RX1	39	RP109/RF13
TX1	40	RP108/RF12
TES	47	AN12/PMA11/RP144/RB12
WP	44	AN13/PMA10/RP145/RB13
AS1	34	AN14/PMA1/RP146/RB14
AS2	42	AN15/PMA0/RP147/RB15
GND	45	VSS
GND	46	VDD
DS1	47	RP178/RD14
DS2	48	RP79/RD15
SDA	49	SDA2/PMA9/RP100/RF4
SCL	58	SCL2/PMA8/RP101/RF5

AN28/PMD4/RP84/RE4	71	LEDP6R
AN27/PMD3/RP183/RE3	67	TE6
AN26/PMD2/RP82/RE2	43	Output1
RP125/RG13	41	LEDAS2G
RP1124/RG12	4	LEDAS2R
RP126/RG14	33	LEDAS1G
AN25/PMD1/RP181/RE1	32	LEDAS1R
AN24/PMD0/RP80/RE0	97	LEDS0G
AN23/RP123/RA7	96	LEDS0R
AN22/RP122/RA6	95	LEDS1G
RP112/RG0	98	TEH
RP113/RG1	89	IREH
VCMPST2/RP97/RF1	88	TX4
VCMPST1/RP96/RF0	87	RX4
VDD	86	3V3uC
VCAP	85	
C3IN1+/VCMPST3/RP71/RD7	84	LEDS1R
C3IN2-/RP70/RD6	82	LEDV1G
PMRD/RP69/RD5	82	LEDV1R
PMWR/RP68/RD4	81	LEDVMG
RP177/RD13	88	LEDVMR
RP176/RD12	77	LEDHG
PMBE/RP67/RD3	76	LEDHR
DPH/RP66/RD2	79	LEDMG
VCPCON/RP65/RD1	78	LEDMR
VSS	75	GND
PGEC2/SOSCO/C3IN1-/T1CK/RP162/RC14	57	Hub2
PGED2/SOSC1/C3IN3-/RP161/RC13	56	Hub1
INT0/DMH/RP64/RD0	61	TE8
PMCS1/RP175/RD11	72	IRE8
ASCL1/PMCS2/RP174/RD10	68	LEDP7G
ASDA1/DPLN/RP173/RD9	59	LEDP7R
RTCC/DMLN/RP172/RD8	28	TE7
RP131/RA15	66	IRE7
RP130/RA14	74	LEDP6G
VSS	65	GND
OSC2/CLKO/RC15	64	OSC2
OSC1/RP160/RC12	63	OSC1
VDD	62	3V3uC
TDO/RP121/RA5	68	IRE6
TDI/RP120/RA4	73	LEDP5G
ASDA2/RP119/RA3	74	LEDP5R
ASCL2/RP118/RA2	58	TEM
D+/RG2	78	IRE5
D-/RG3	98	LEDP4G
VUSB3V3	54	
VBUS	54	NC
RP104/RF8	53	TX2
RP98/RF2	52	RX2
USBID/RP99/RF3	51	DS3

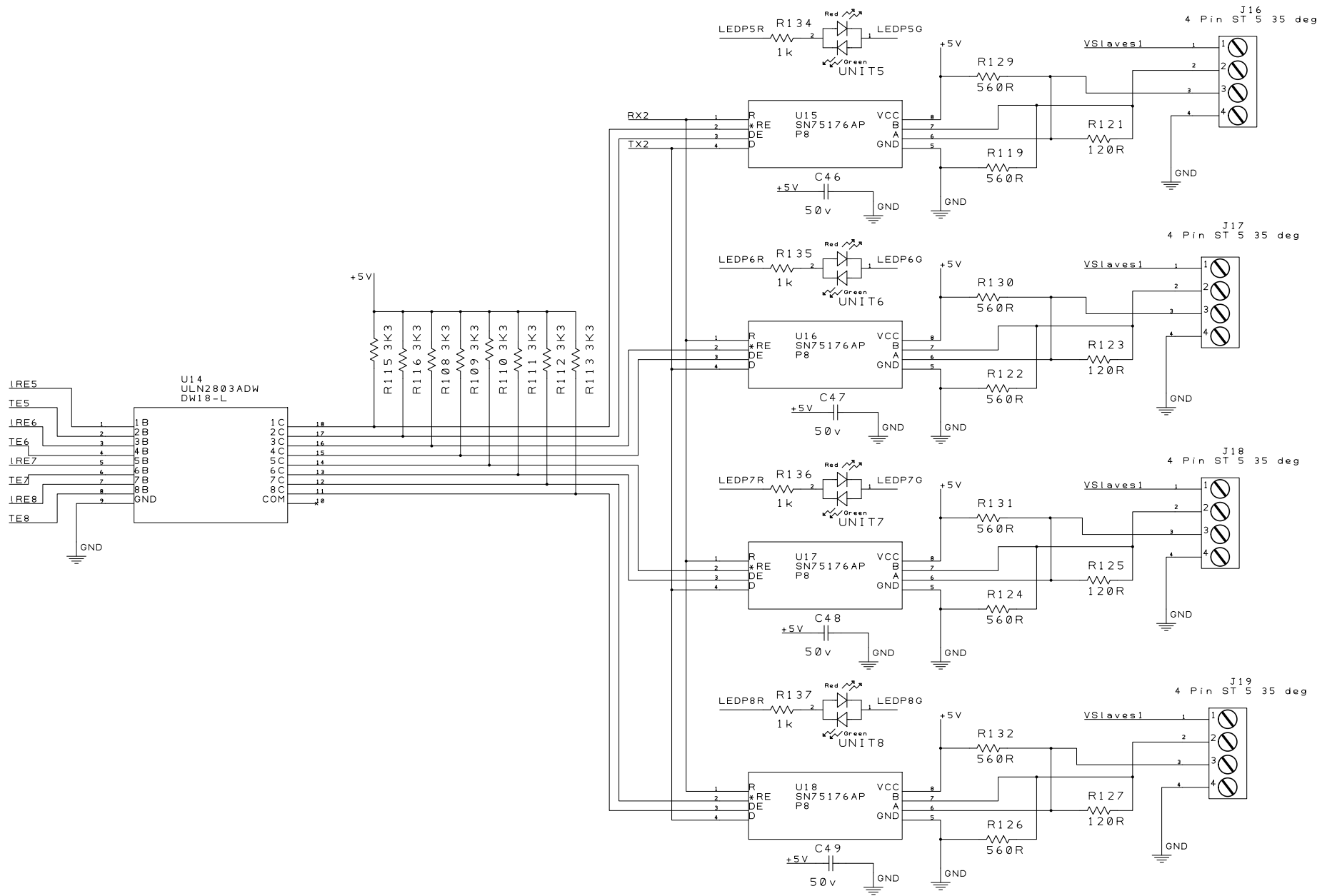
Rev -	Drawn	Check	Projection Do Not Scale		<h1>AGRIGEL</h1>
Project		Client			
Title		Filename			
				Drawing No.	Sheet 2 of 8

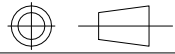


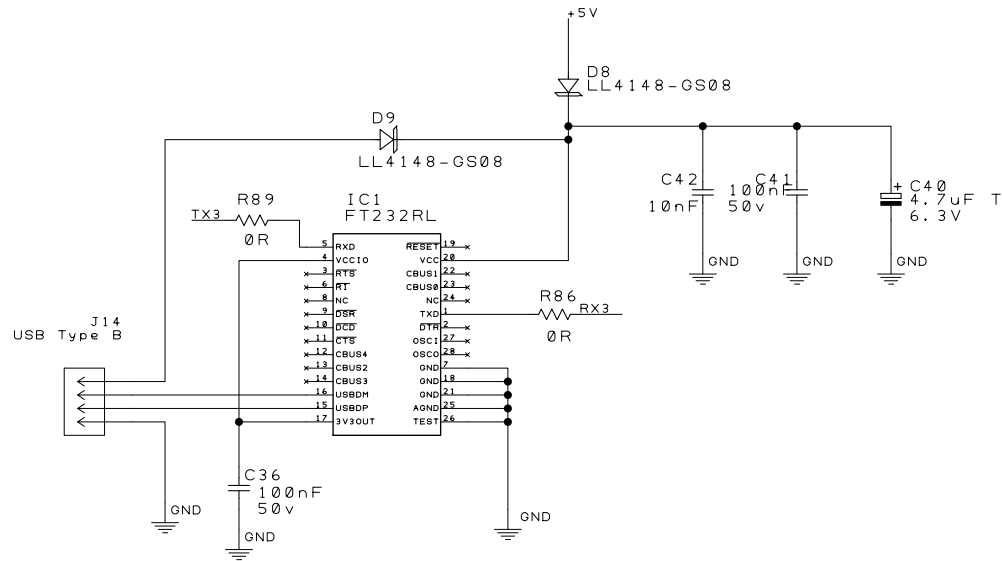
Rev -	Drawn	Check	Projection Do Not Scale		AGRIGEL
Project HUB			Client		
Title MAIN RS485 PORTS			Filename	Drawing No.	Sheet 3 of 8



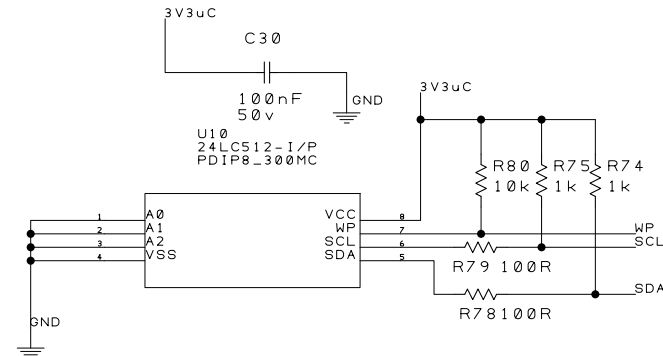
Rev -	Drawn	Check	Projection Do Not Scale			AGRIGEL	
Project			Client				
Title			Filename		Drawing No.		Sheet
OUTPUT RS485 PORTS 1							4 of 8



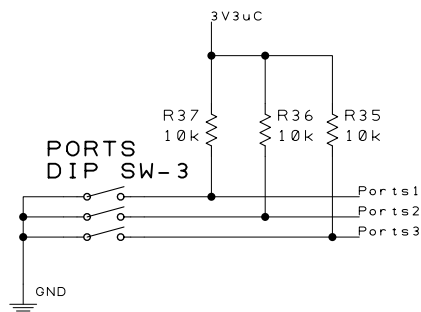
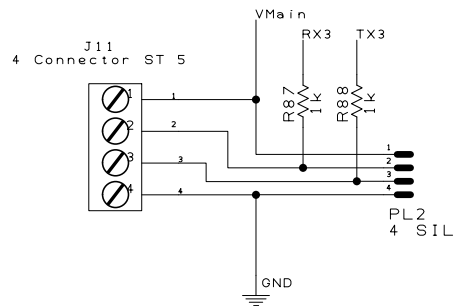
Rev -	Drawn	Check	Projection Do Not Scale			AGRIGEL	
Project			Client				
Title			Filename		Drawing No.		
OUTPUT RS485 PORTS 2						5 of 8	



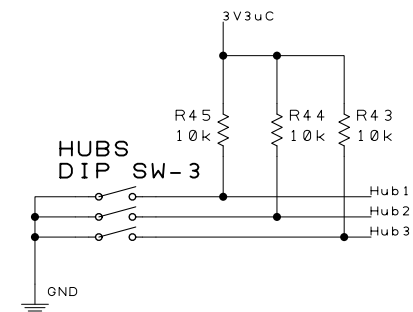
RS232



EEPROM

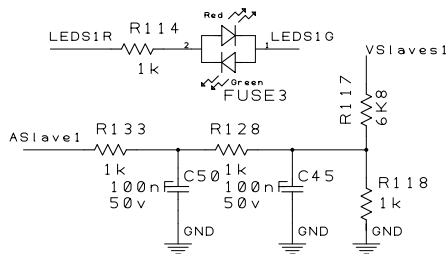
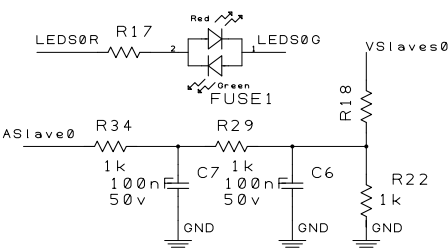
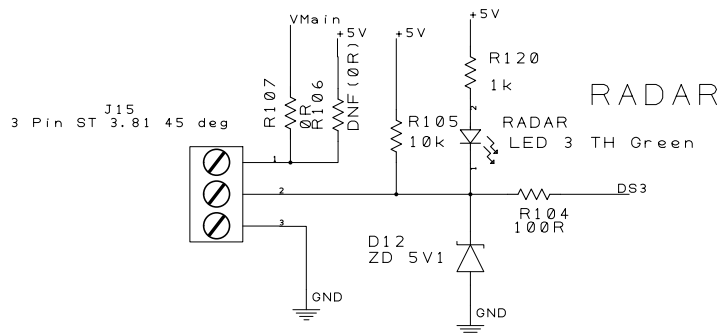
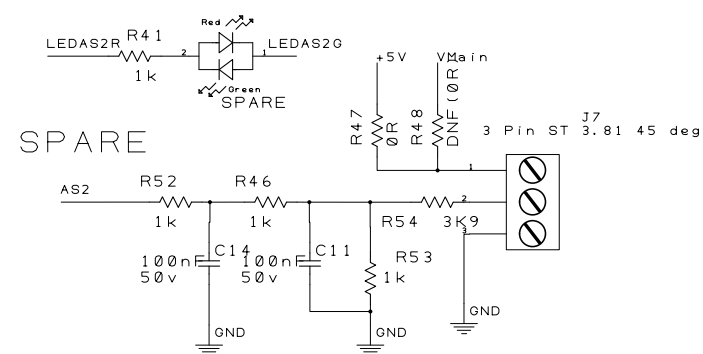
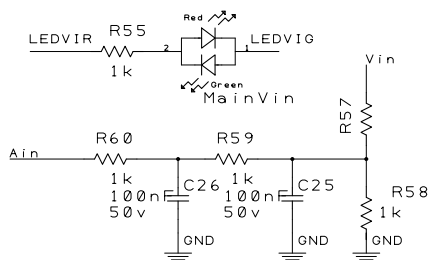
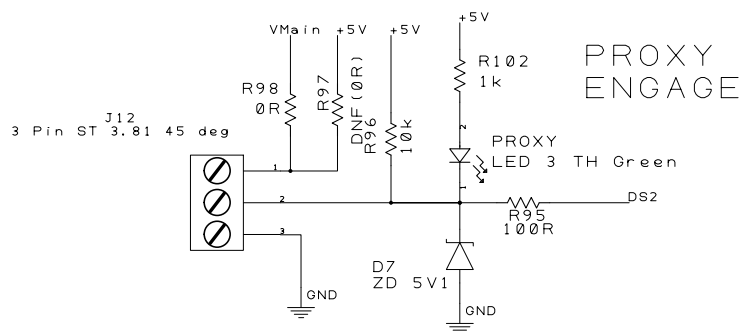
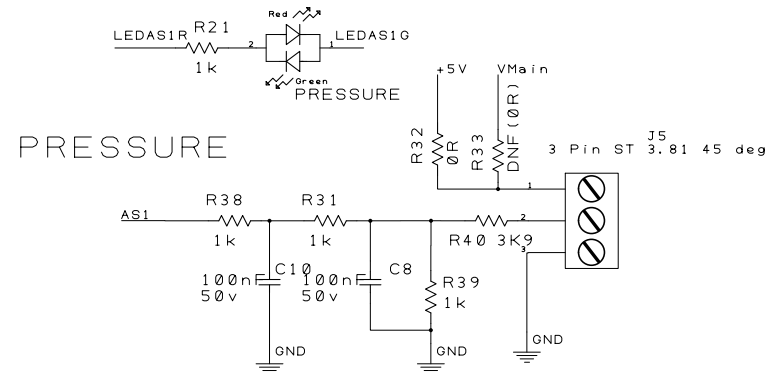
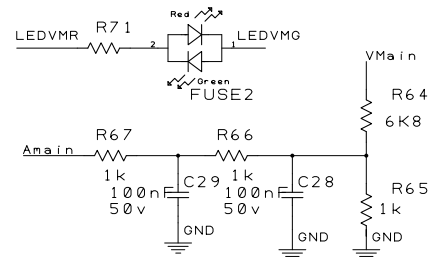
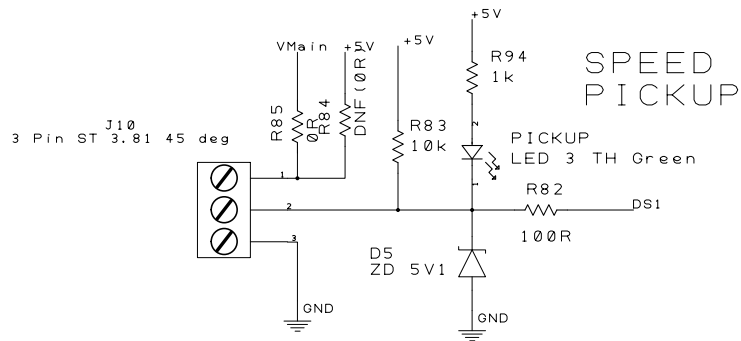


PORTS

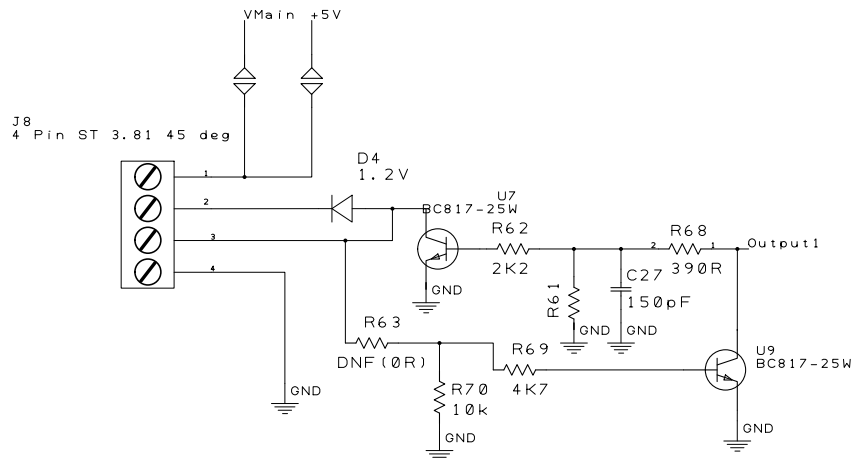


HUBS

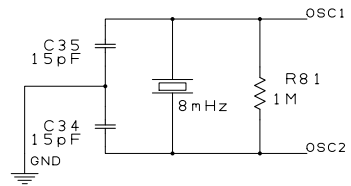
Rev -	Drawn	Check	Projection Do Not Scale		AGRIGEL
Project HUB			Client		
Title RS232 & EEPROM			Filename	Drawing No.	



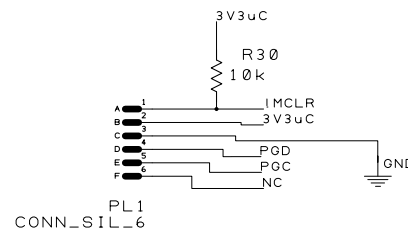
Rev -	Drawn	Check	Projection Do Not Scale		AGRIGEL	
Project			Client			
Title			Filename			
HUB SENSORS					Drawing No.	Sheet 7 of 8



SPARE INPUT / OUTPUT



OSC



IC PROGRAM

Rev -	Drawn	Check	Projection Do Not Scale		AGRIGEL	
Project HUB			Client			
Title MISCELLANEOUS			Filename		Drawing No.	Sheet 8 of 8