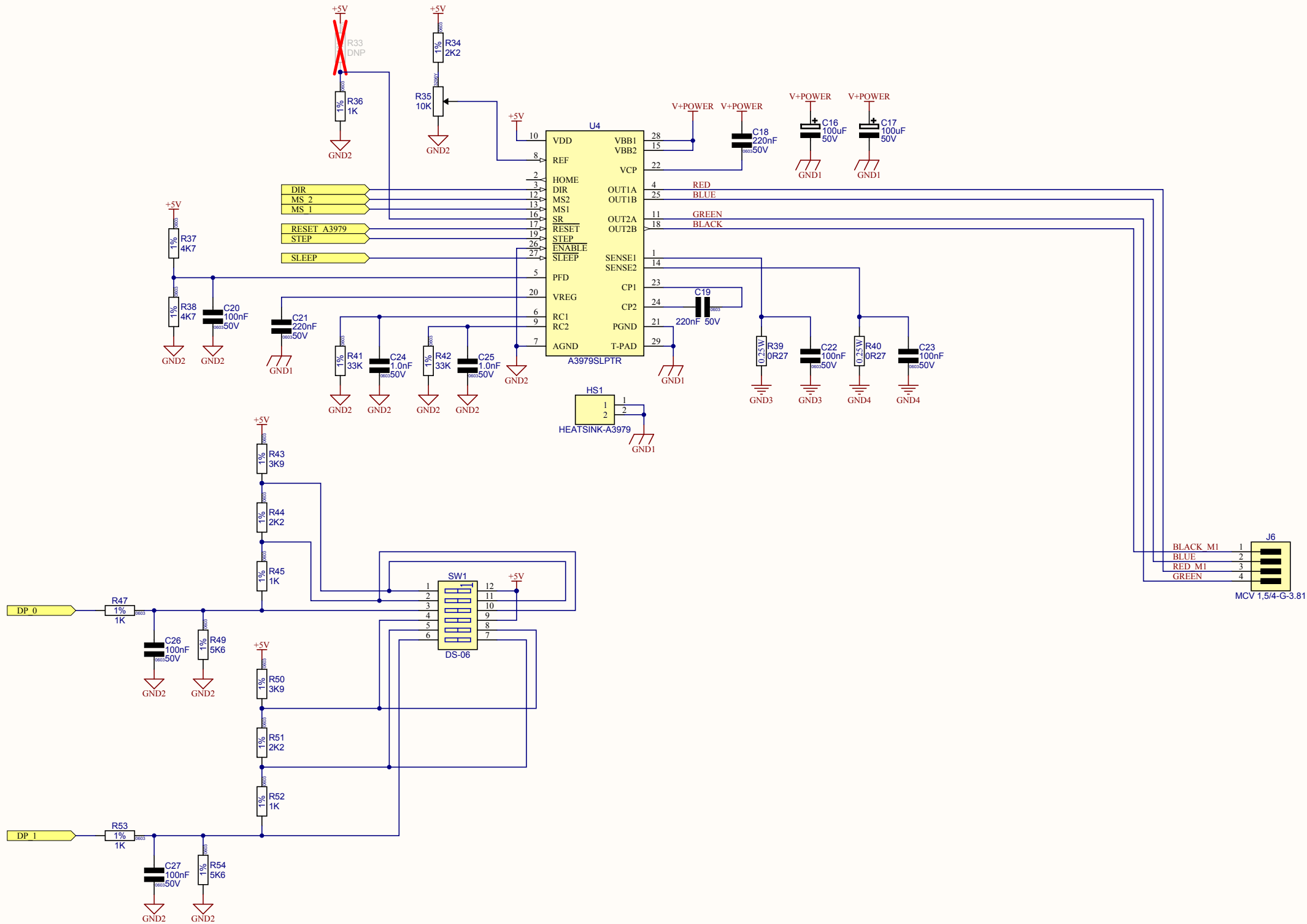


NOTES:

# AGRIGEL

DOCUMENT APPROVAL						
DRAWN	REVIEWED	APPROVED	QA	CM	DATE	ECR NO.
DG	DG	DG	-	-	23/09/2014	-

DOCUMENT IDENTIFICATION			
TITLE:	Flow Controller		
DOC NUMBER:	-		
SHEET	1	OF	2
SOURCE FILE:	Flow-Controller-1.SchDoc		VER: 02.00
			DOC REV:01



NOTES:

**AGRIGEL**

DOCUMENT APPROVAL						
DRAWN	REVIEWED	APPROVED	QA	CM	DATE	ECR NO.
DG	DG	DG	-	-	23/09/2014	-

DOCUMENT IDENTIFICATION			
TITLE: Flow Controller			
DOC NUMBER: -			SHEET 2 OF 2
SOURCE FILE: Flow-Controller-2.SchDoc		VER: 02.00	DOC REV:01