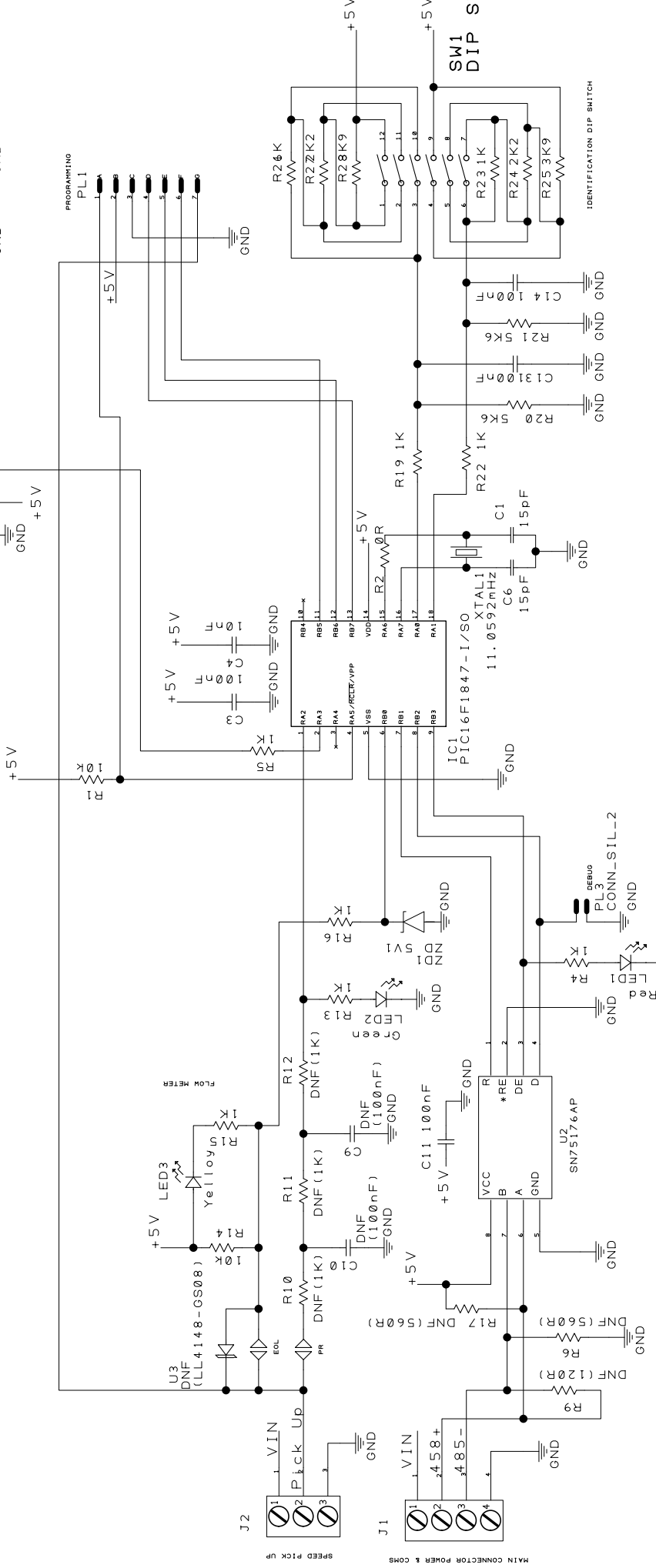
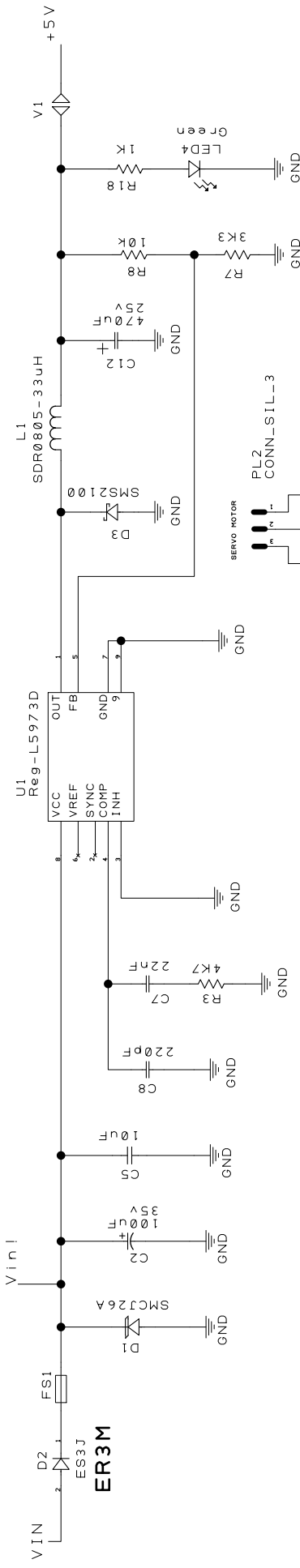


POWER SUPPLY CIRCUIT



Rev -	Draun	Check	Projection Do Not Scale	Client	Filename	Drawing No.	Sheet of
Project							
Title							

AGRIGEL