
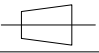
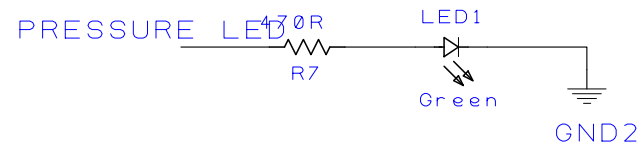
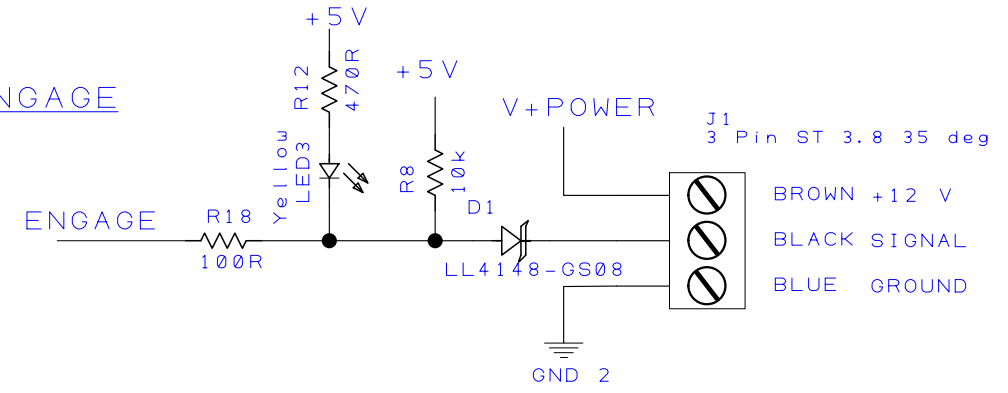


Rev - 0100	Drawn D. L. G.	Check	Projection Do Not Scale	 	AGRIGEL
Project Agrigel Precision Flow		Client AGRIGEL			
Title STEPPER CONTROL BOARD		Filename Stepper Control Board 0100.prj		Drawing No.	Sheet 2 of 3

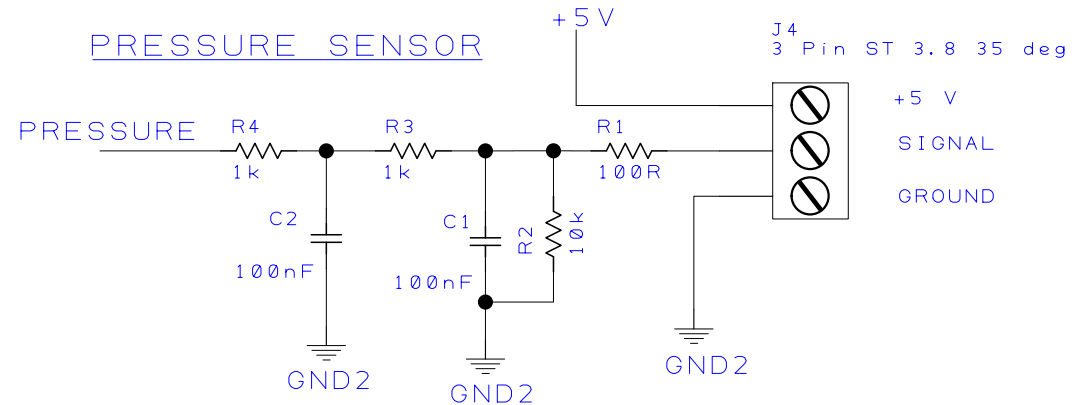
PRESSURE_LED



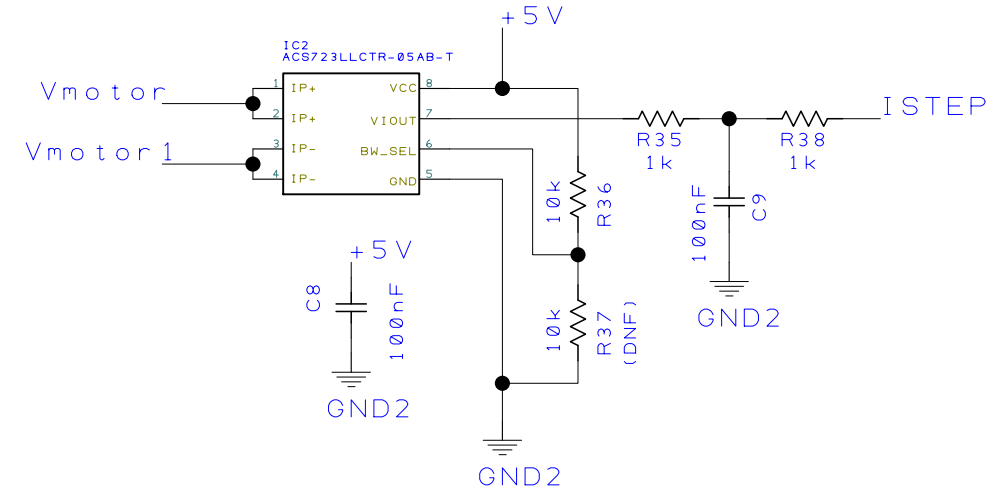
ENGAGE



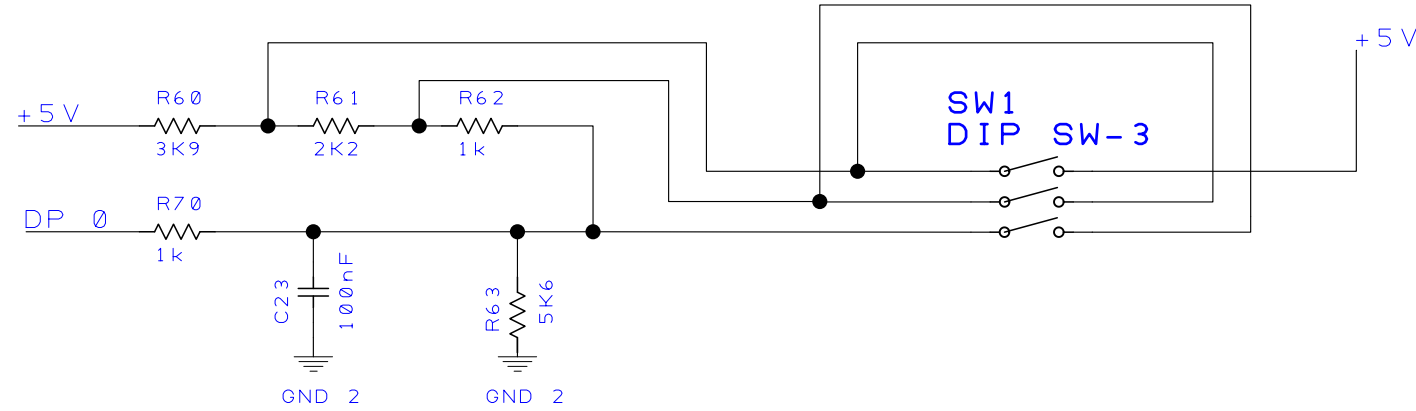
PRESSURE_SENSOR



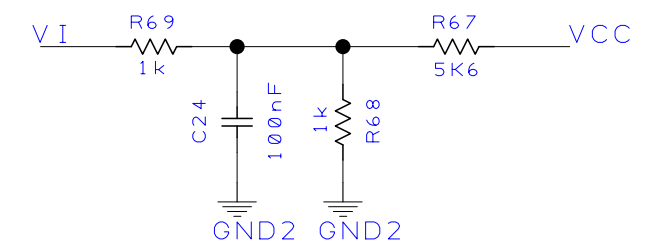
STEPPER MOTOR AMP METER



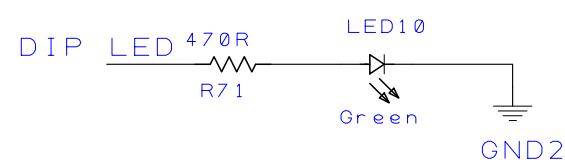
DIP_SWITCH

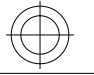
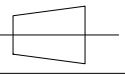


INPUT VOLT METER



DIP_SWITCH_LED



Rev - 0100	Drawn D. L. G.	Check	Projection Do Not Scale	 	AGRIGEL	
Project Agrigel Precision Flow			Client AGRIGEL			
Title STEPPER CONTROL BOARD			Filename Stepper Control Board 0100.prj		Drawing No.	Sheet 3 of 3