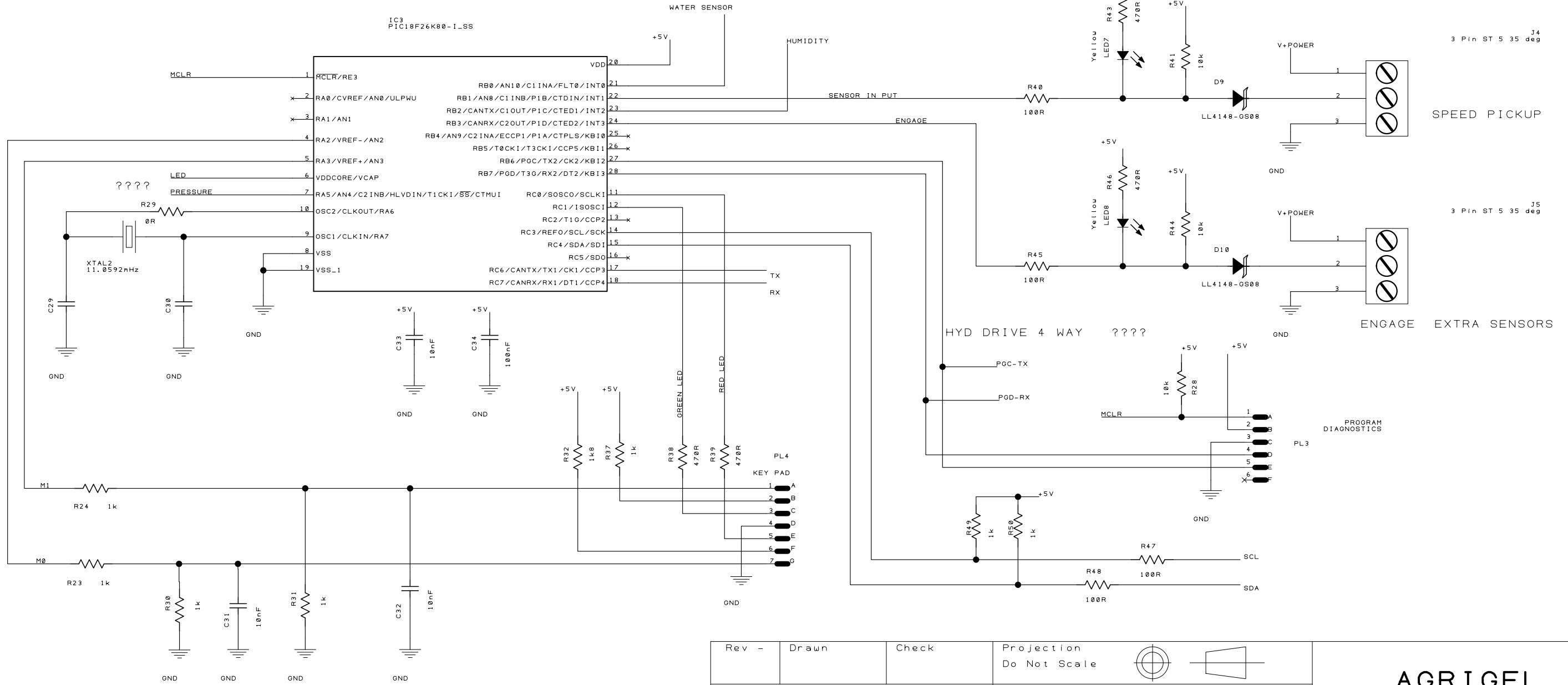


WATER SENSOR ????



Rev -	Drawn	Check	Projection Do Not Scale			AGRIGEL	
Project			Client				
Title			Filename		Drawing No.		Sheet of