
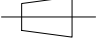
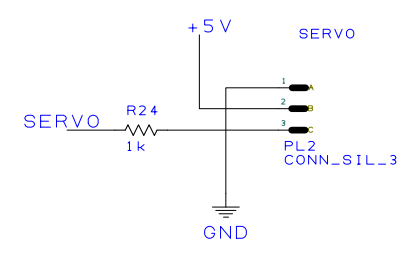
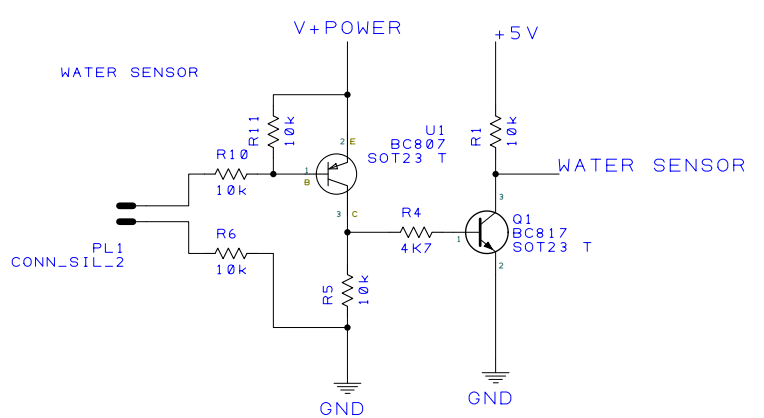
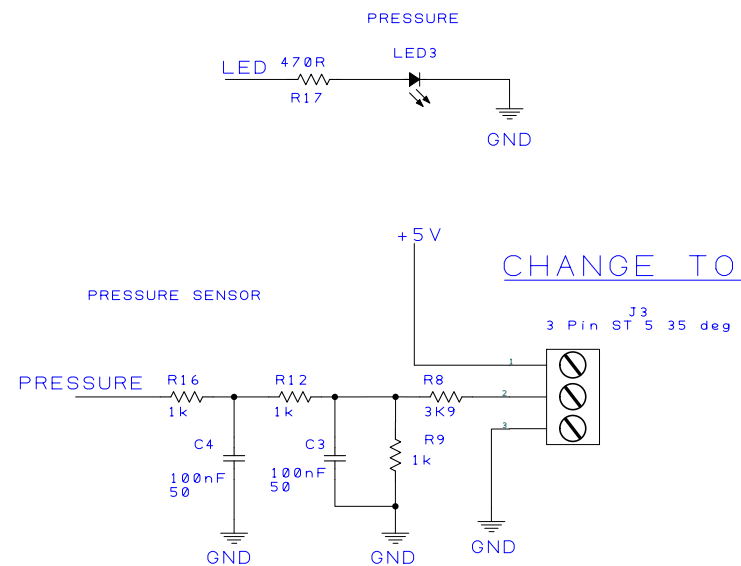
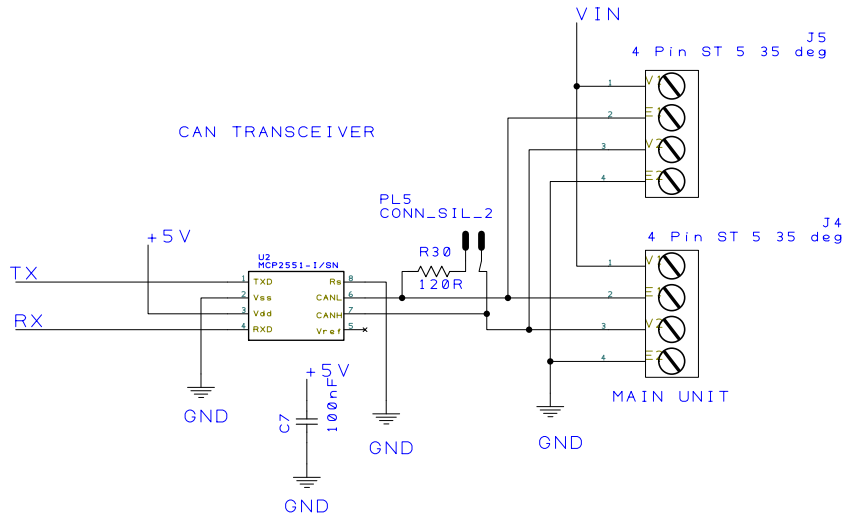


CHANGE TO 3 PIN 3.8 35DEG

Rev -	Drawn	Check	Projection Do Not Scale	 	<h2 style="text-align: center;">AGRIGEL</h2>	
Project			Client			
Title			Filename	Drawing No.	Sheet of	



Rev -	Drawn	Check	Projection Do Not Scale		AGRIGEL
Project			Client		
Title			Filename	Drawing No.	Sheet of