
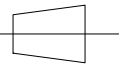
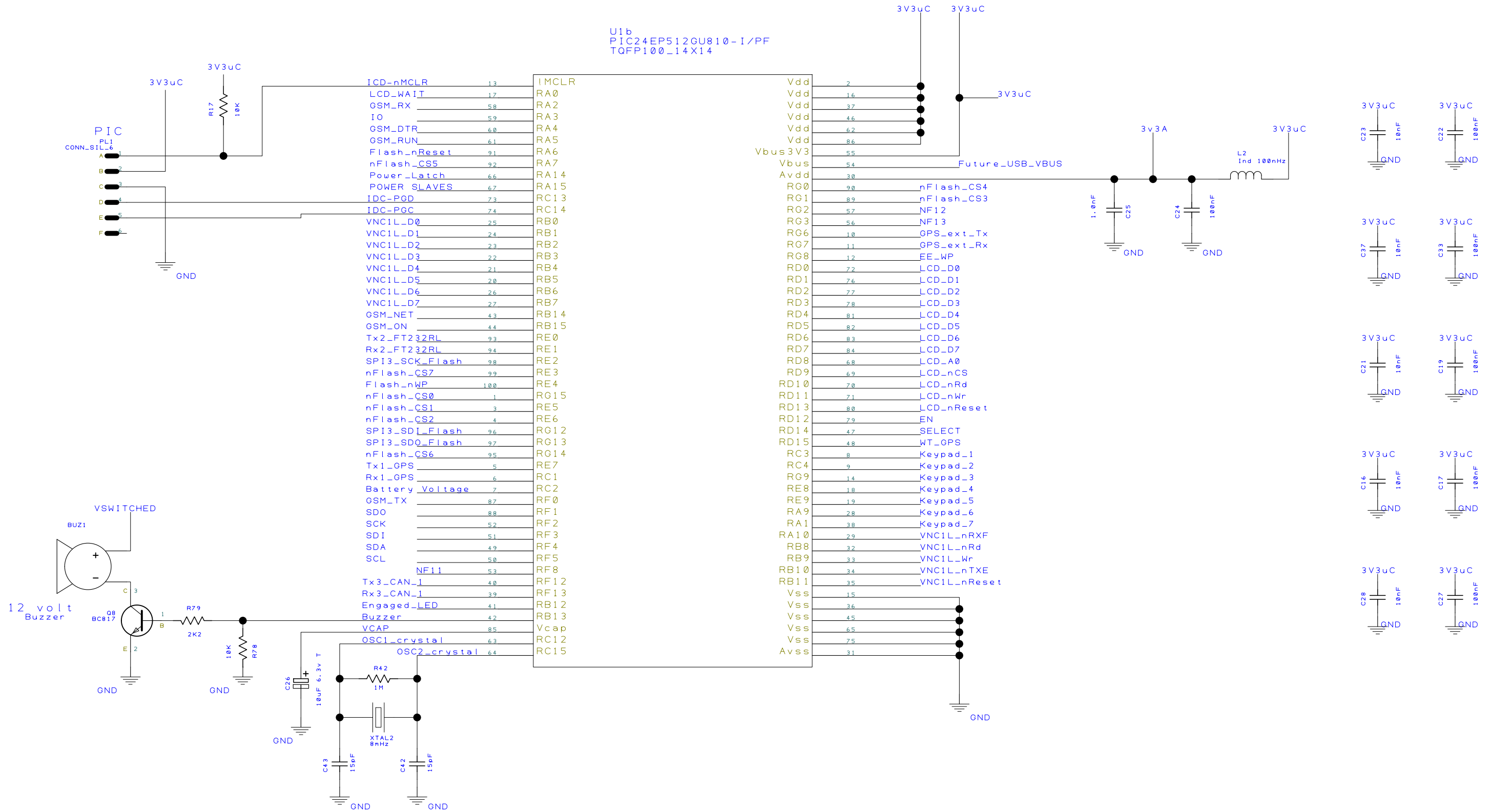

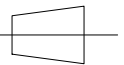
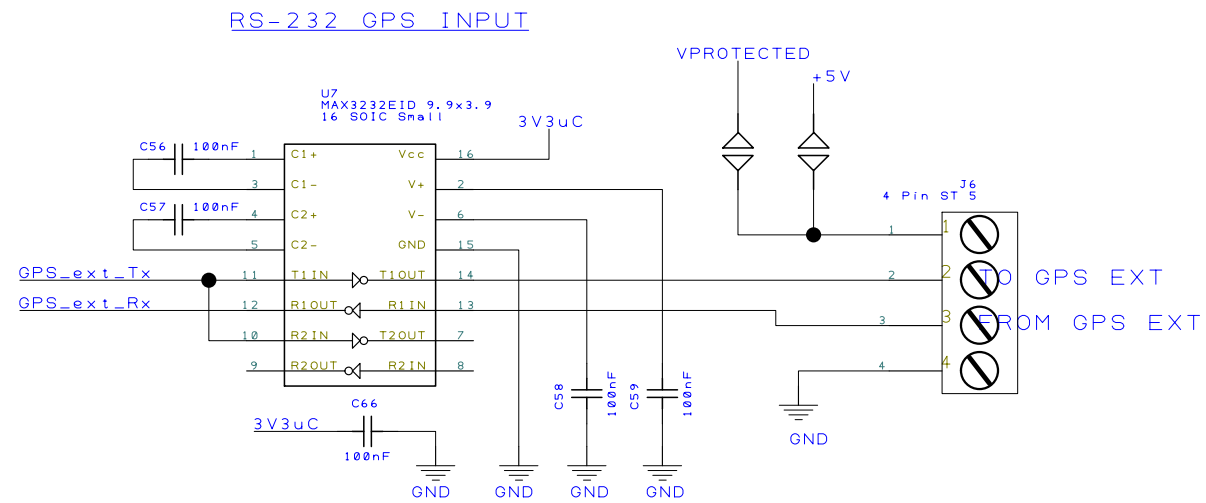
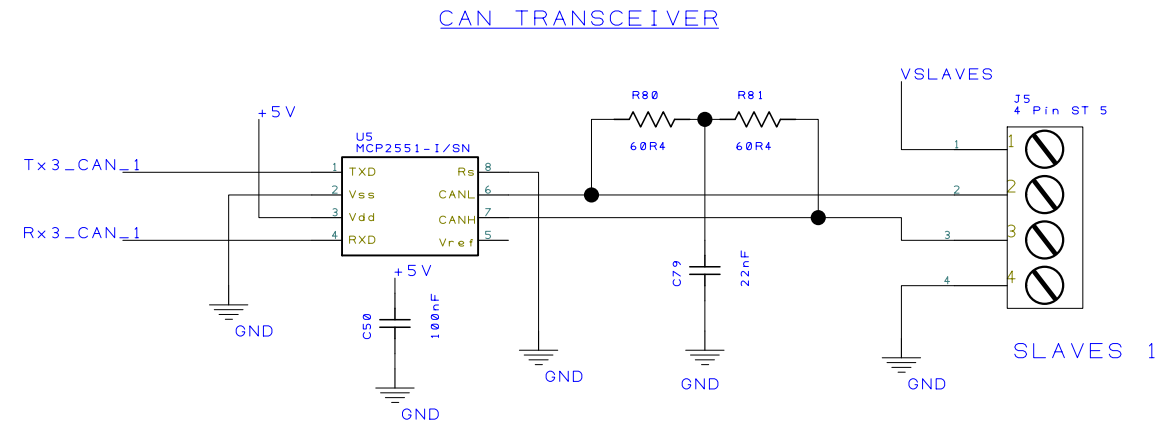
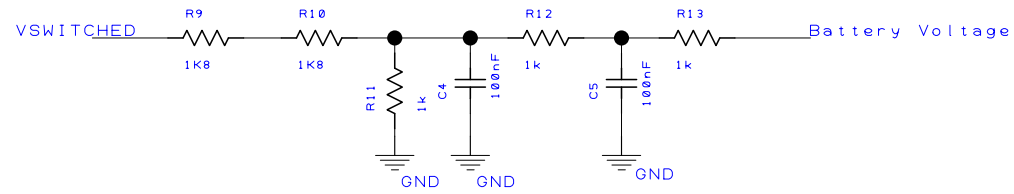



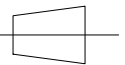
Rev -	Drawn D. G.	Check R. F.	Projection Do Not Scale	 	AGRIGEL
Project	PRECISION PLANTING		Client		
Title	PRECISION FLOW CONTROL		Filename	MAIN BOARD 03	Drawing No.
					Sheet 1 of 6

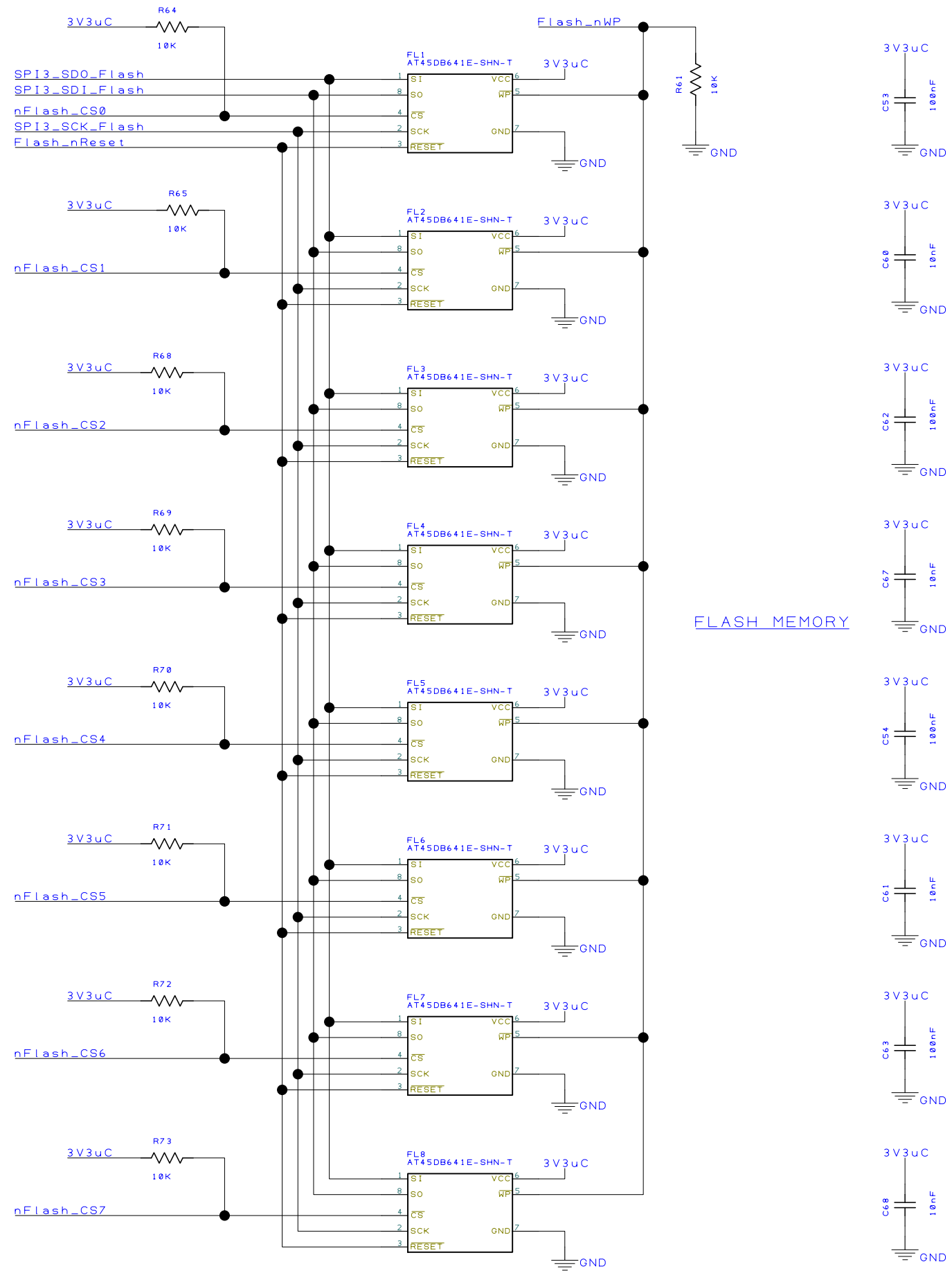
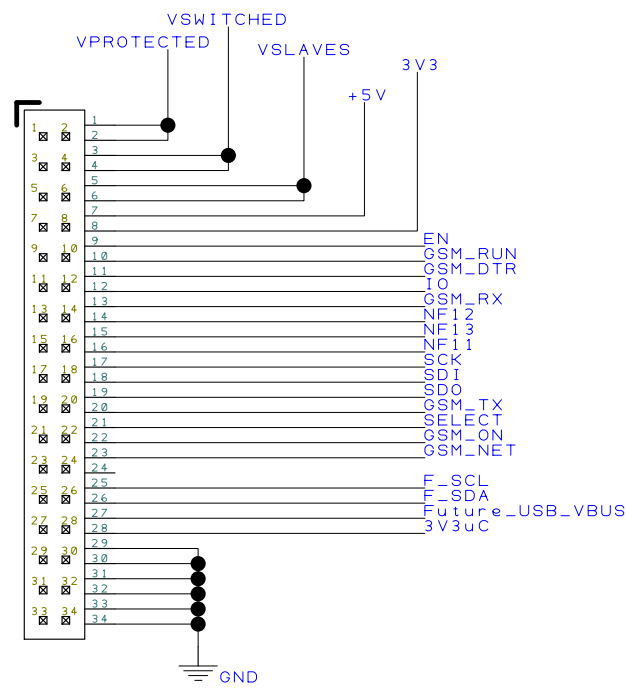
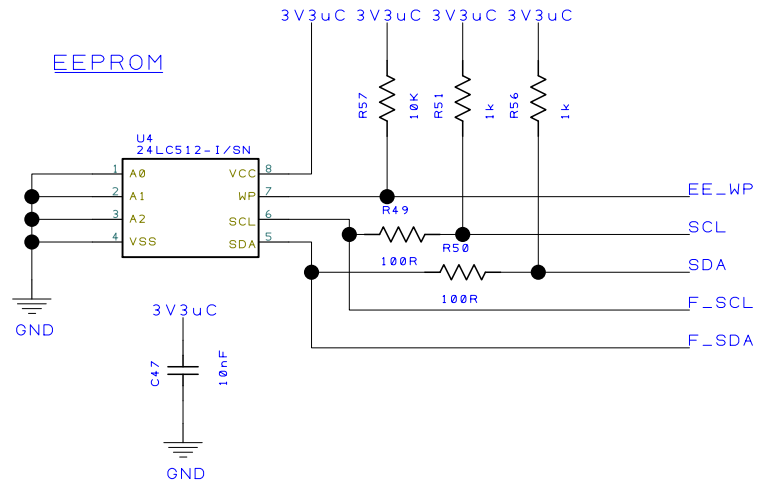
CHANGE TO PF (14X14)




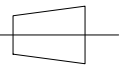
Rev -	Drawn D. G.	Check R. F.	Projection Do Not Scale	 		<h1 style="margin: 0;">AGRIGEL</h1>	
Project	PRECISION PLANTING		Client				
Title	PRECISION FLOW CONTROL		Filename	MAIN BOARD 03		Drawing No.	Sheet 2 of 6

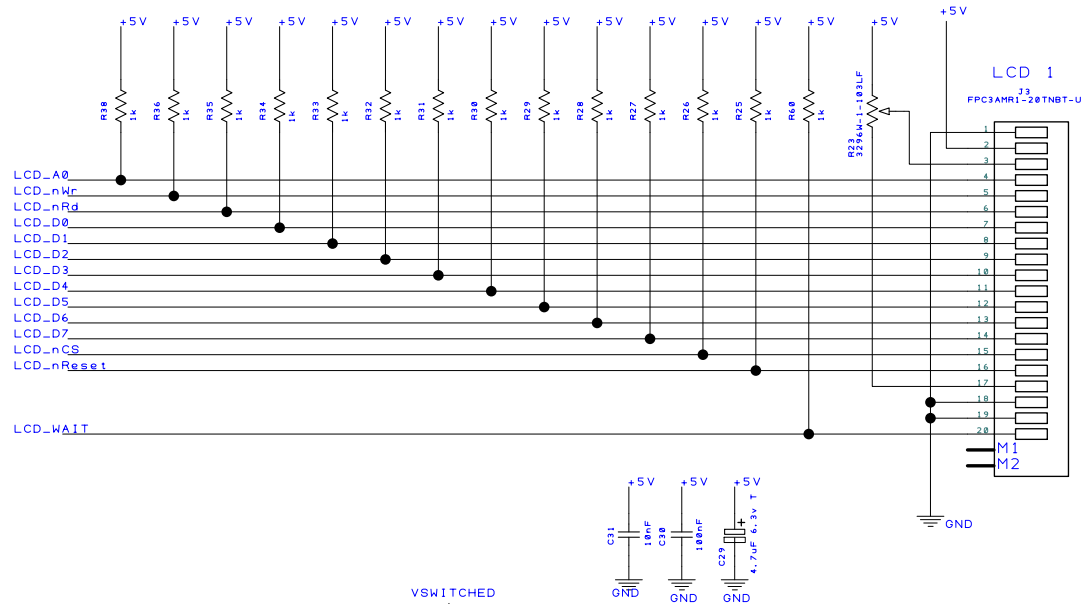
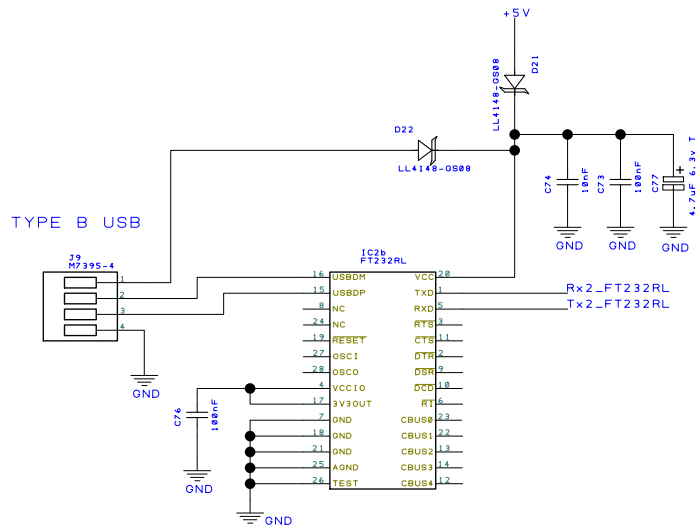


Rev -	Drawn D. G.	Check R. F.	Projection Do Not Scale	 		<h1 style="margin: 0;">AGRIGEL</h1>	
Project PRECISION PLANTING			Client AGRIGEL				
Title PRECISION FLOW CONTROL			Filename MAIN BOARD 03		Drawing No.		Sheet 3 of 6

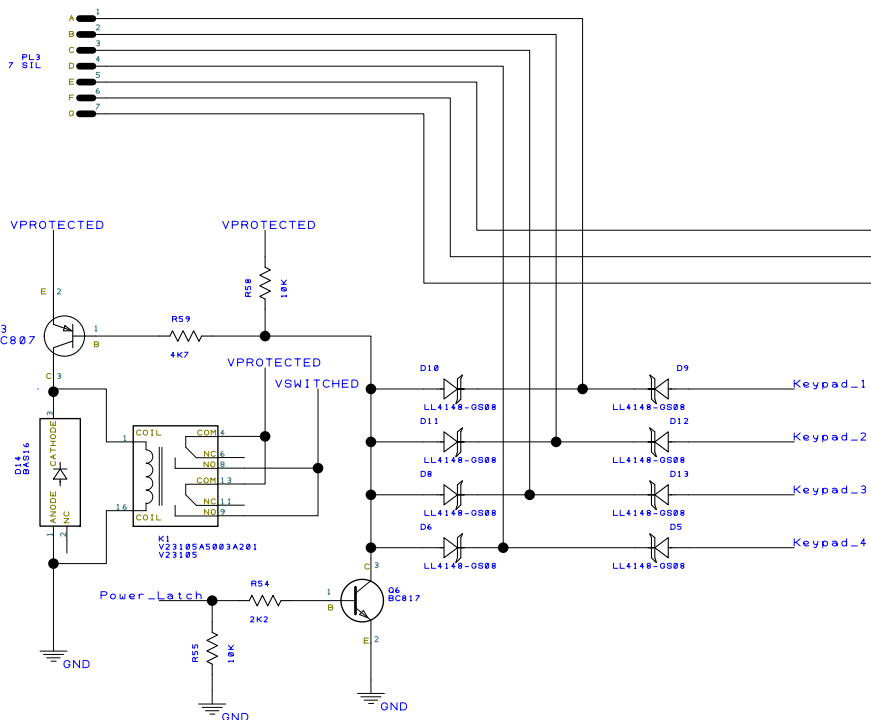


37
CONN_DIL_34
34 DIL

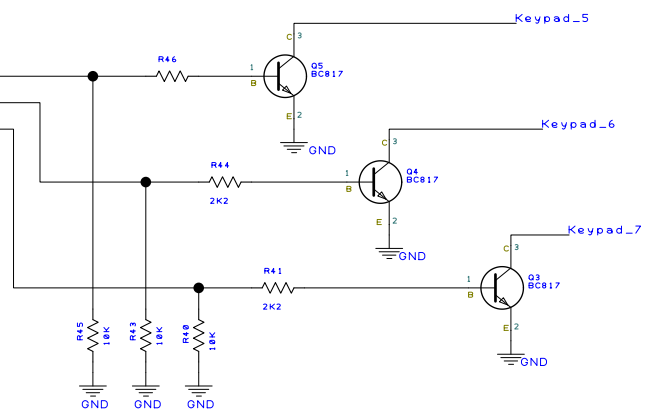
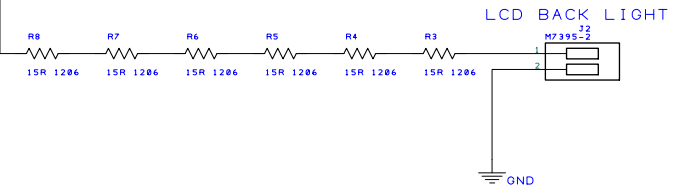
Rev -	Drawn D. G.	Check R. F.	Projection Do Not Scale	 	AGRIGEL	
Project	PRECISION PLANTING		Client			
Title	PRECISION FLOW CONTROL		Filename	MAIN BOARD 03	Drawing No.	Sheet 4 of 6


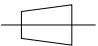


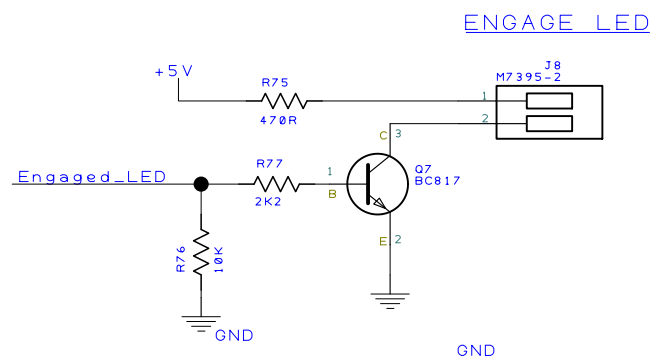
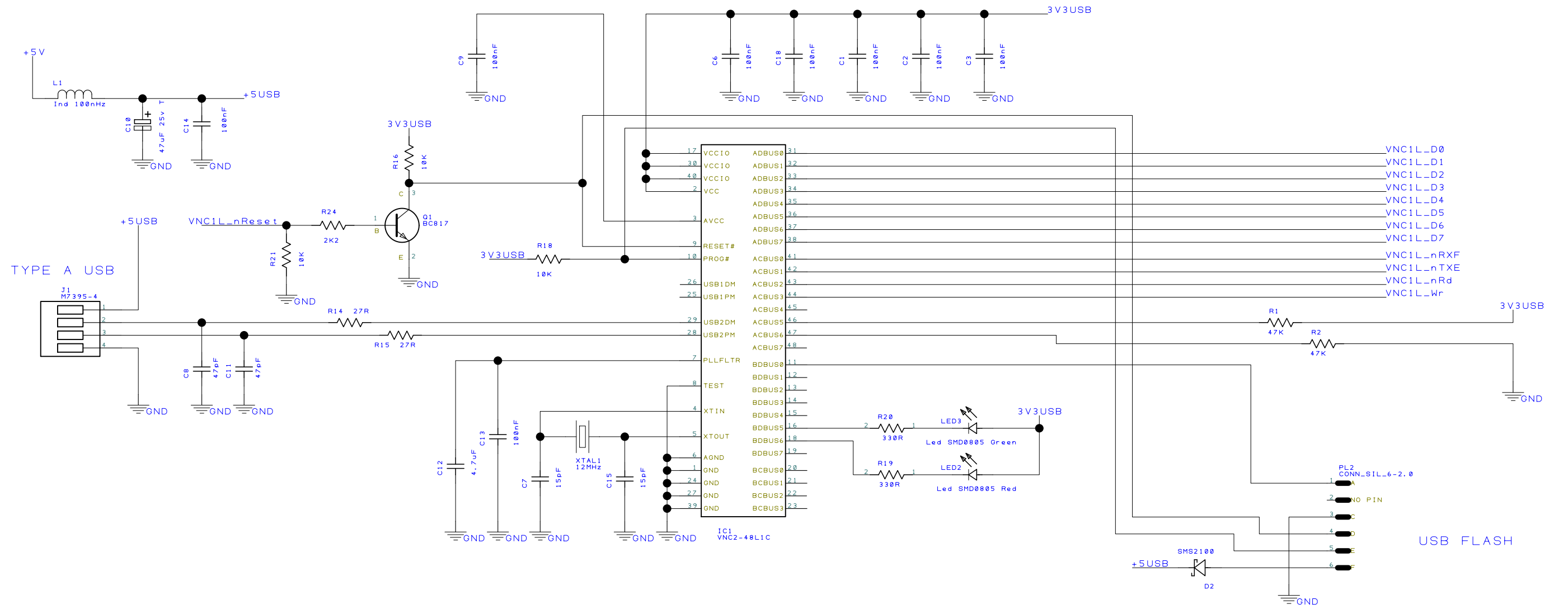
KEYPAD



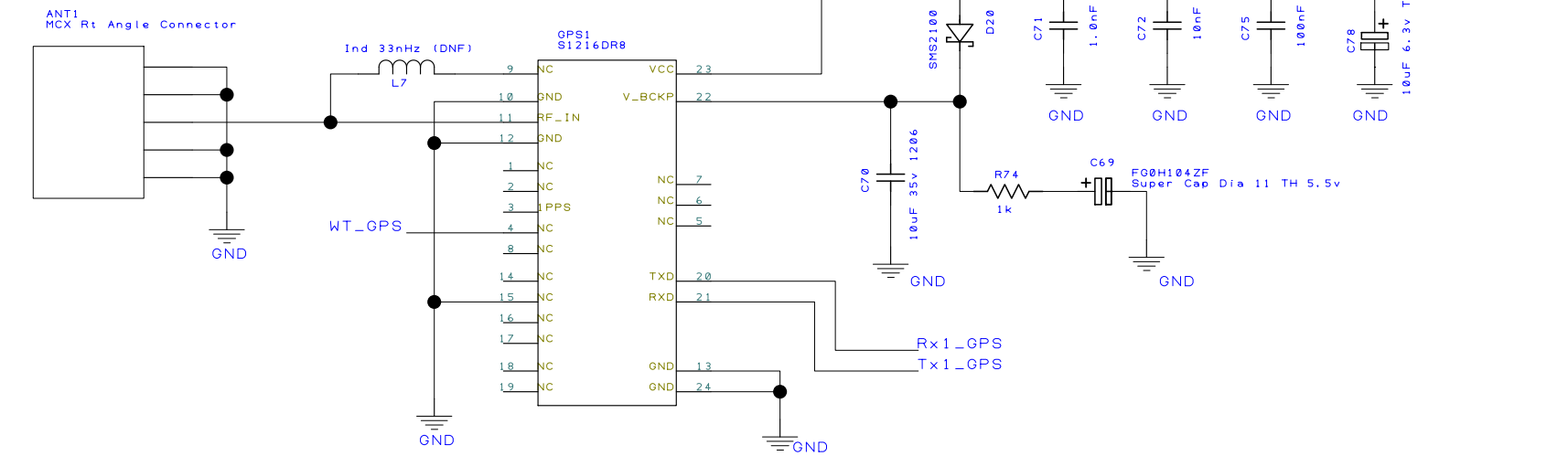
VSWITCHED

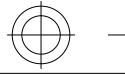
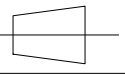


Rev -	Drawn D. G.	Check R. F.	Projection Do Not Scale	 	AGRIGEL
Project PRECISION PLANTING	Client AGRIGEL		Drawing No.		
Title PRECISION FLOW CONTROL	Filename MAIN BOARD 03				



GPS ANTENNA



Rev -	Drawn D. G.	Check R. F.	Projection Do Not Scale	 	AGRIGEL	
Project	PRECISION PLANTING		Client			
Title	PRECISION FLOW CONTROL		Filename	MAIN BOARD 03	Drawing No.	Sheet 6 of 6