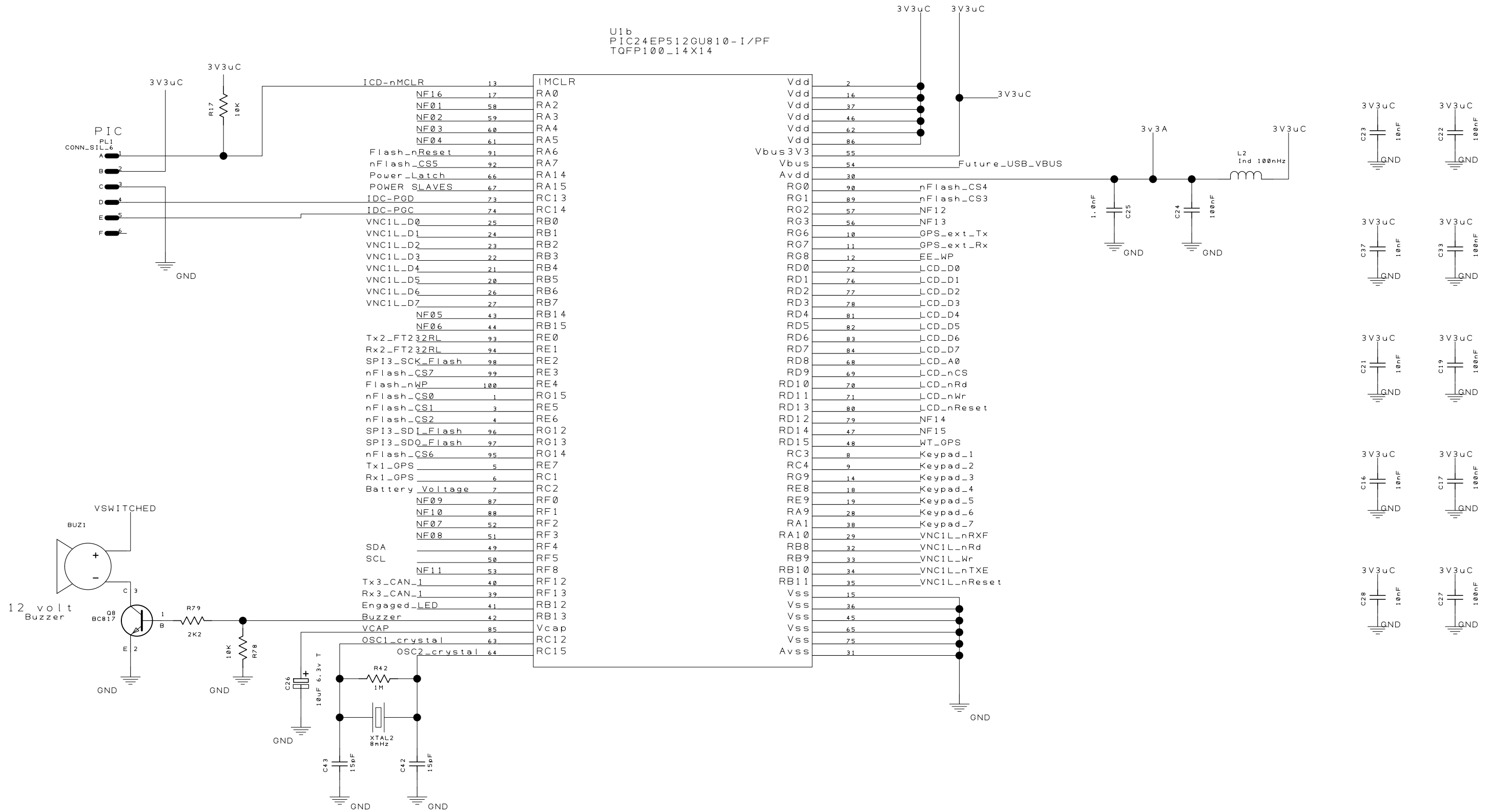
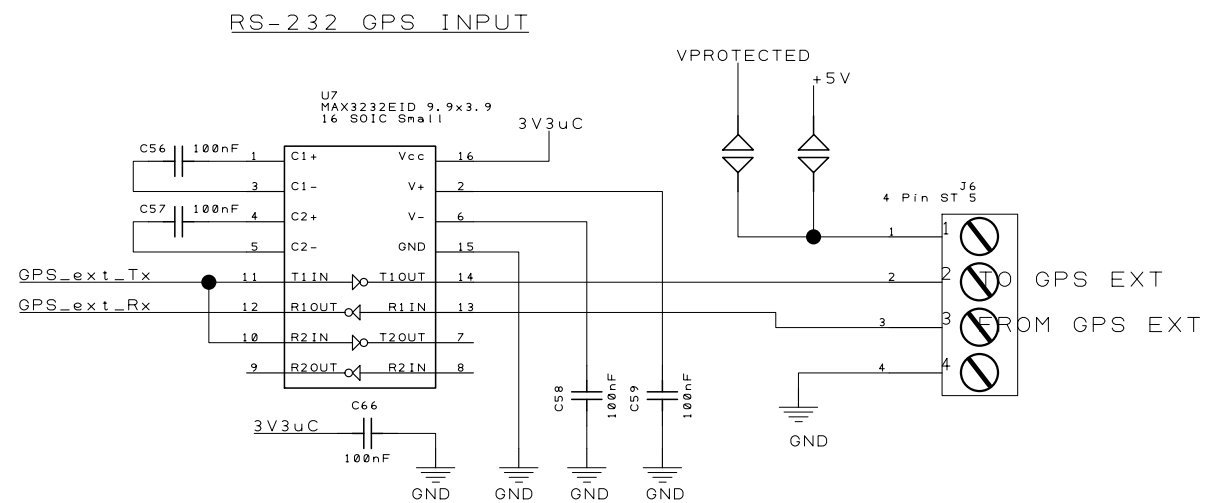
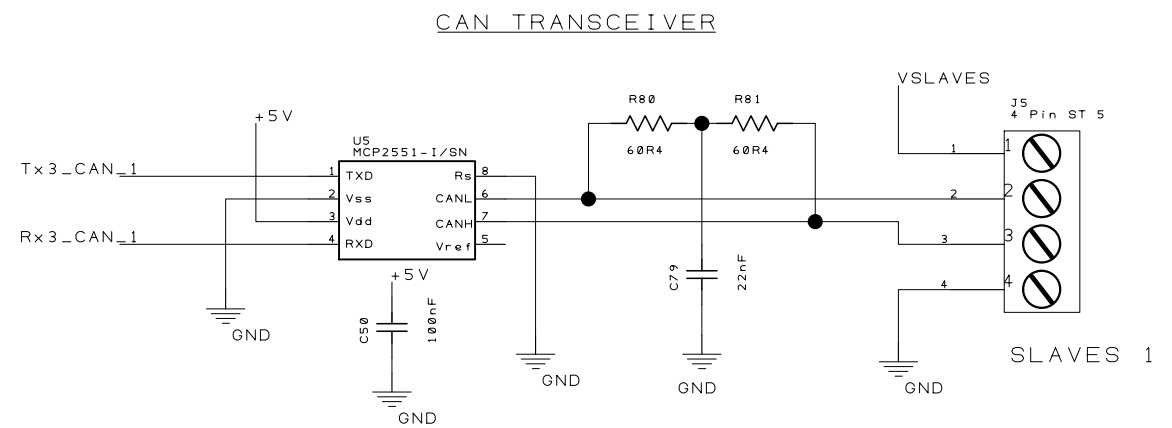
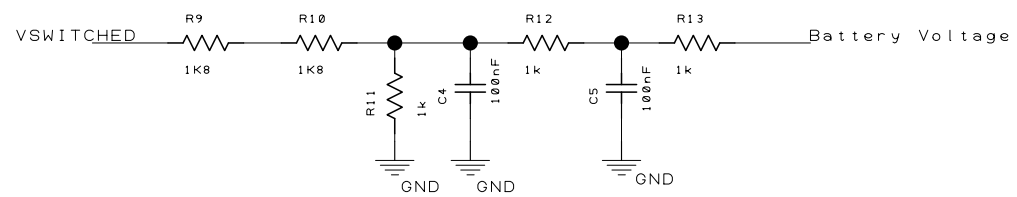


Rev -	Drawn D. G.	Check R. F.	Projection Do Not Scale		AGRIGEL	
Project PRECISION PLANTING	Client AGRIGEL					
Title PRECISION FLOW CONTROL	Filename MAIN BOARD 03		Drawing No.		Sheet 1 of 6	

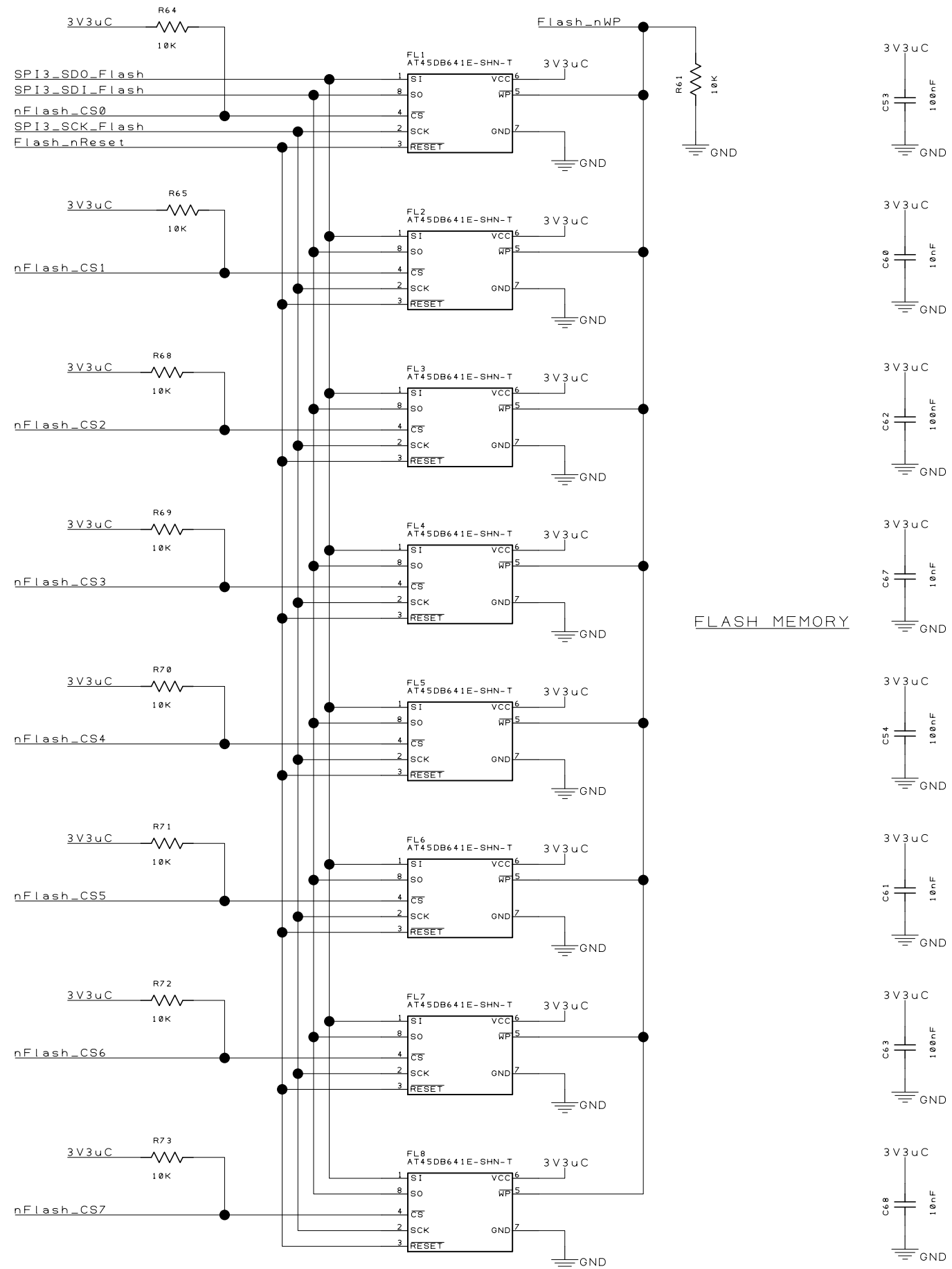
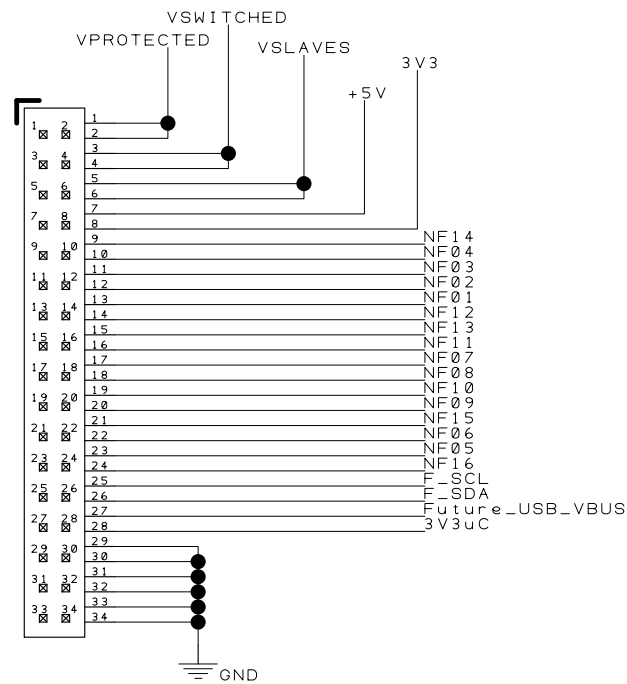
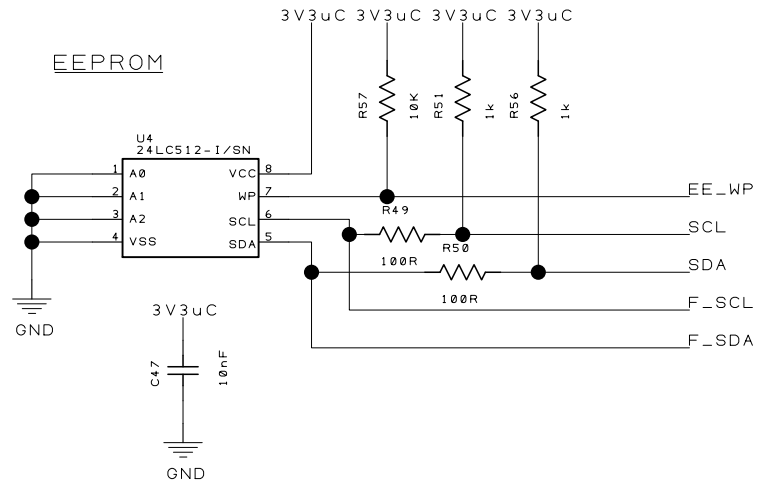
CHANGE TO PF (14X14)



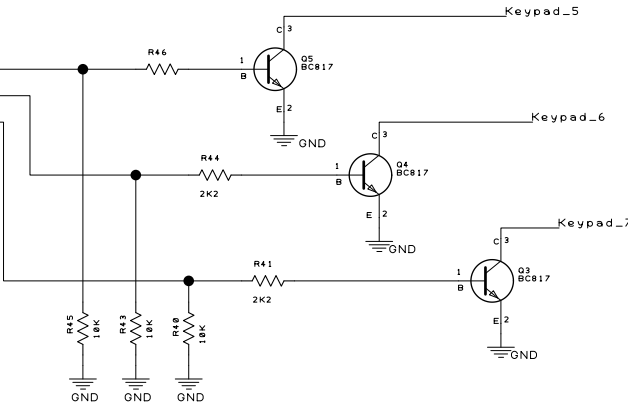
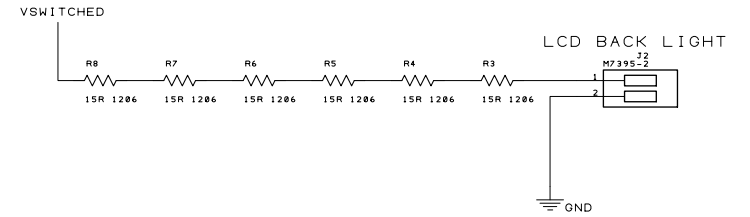
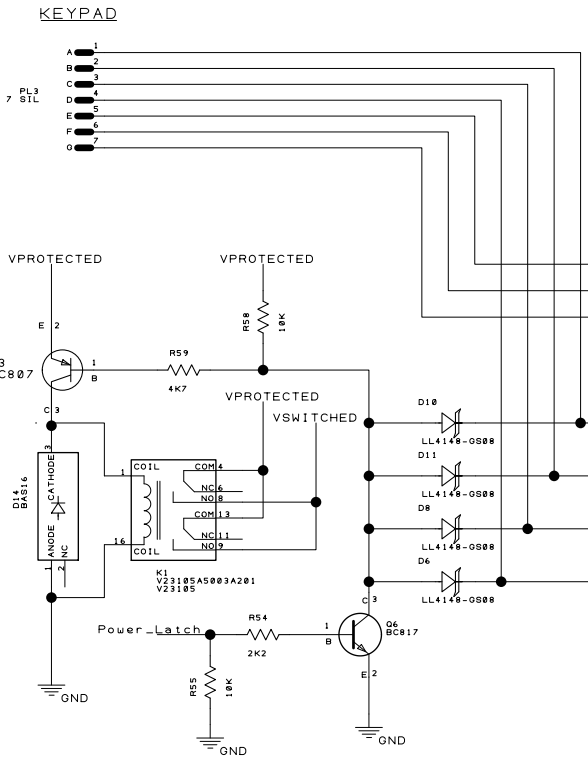
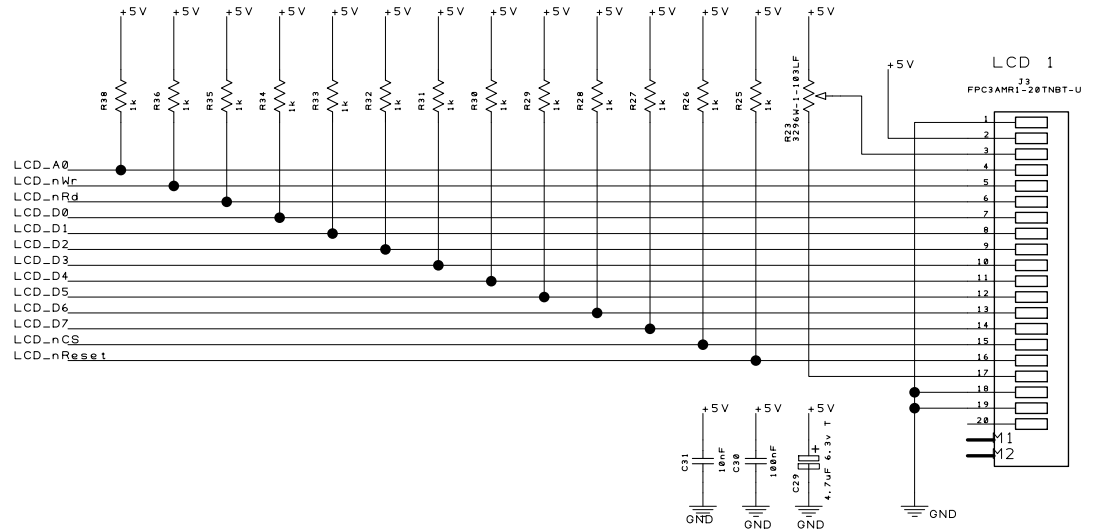
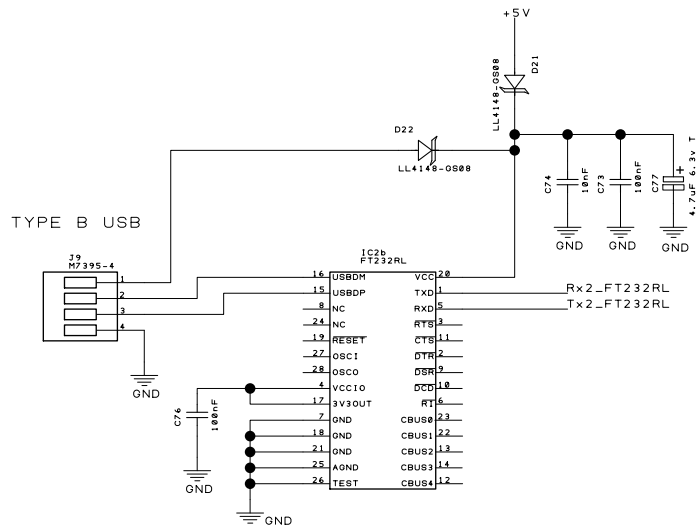
Rev -	Drawn D. G.	Check R. F.	Projection Do Not Scale		
Project	PRECISION PLANTING		Client		
Title	PRECISION FLOW CONTROL		Filename	MAIN BOARD 03	Drawing No.
				Sheet	2 of 6



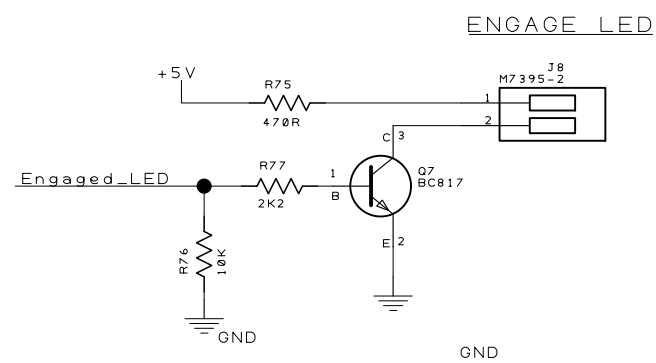
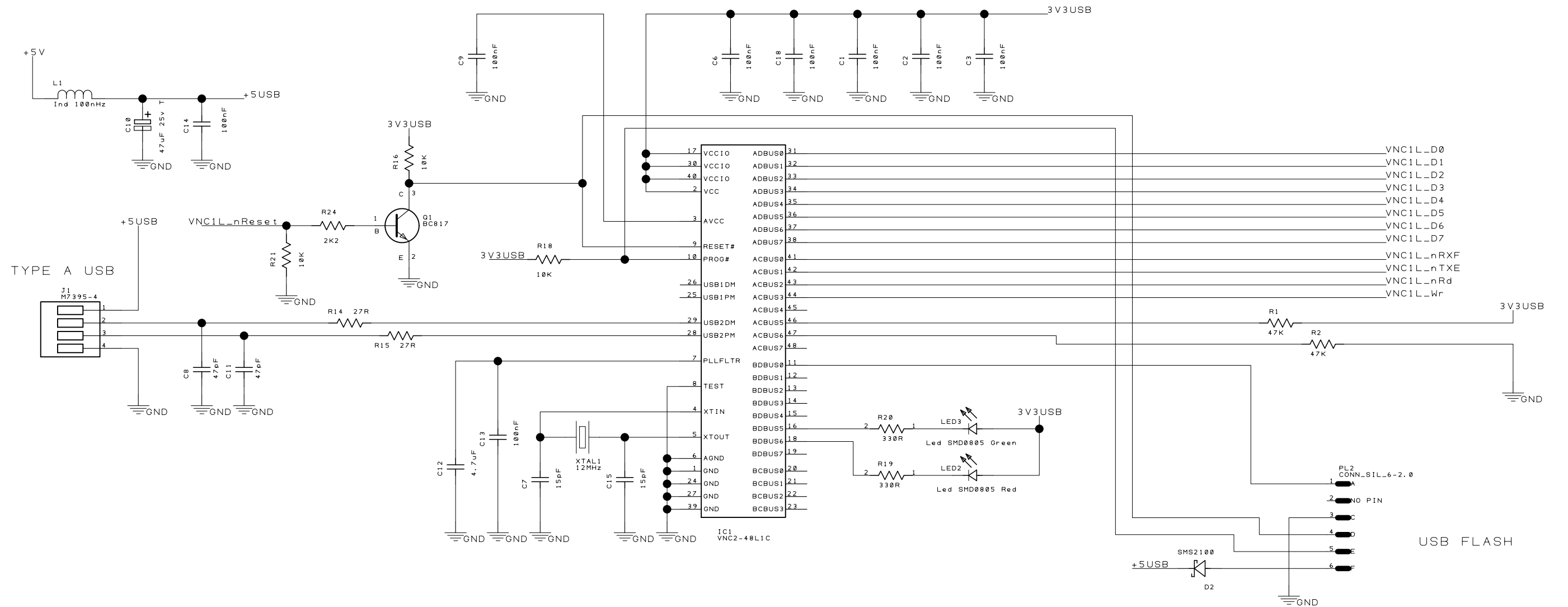
Rev -	Drawn D. G.	Check R. F.	Projection Do Not Scale		AGRIGEL	
Project PRECISION PLANTING			Client AGRIGEL		Drawing No.	Sheet 3 of 6
Title PRECISION FLOW CONTROL			Filename MAIN BOARD 03			



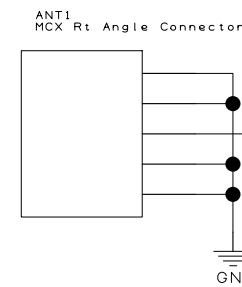
Rev -	Drawn D. G.	Check R. F.	Projection Do Not Scale		AGRIGEL	
Project	PRECISION PLANTING		Client			
Title	PRECISION FLOW CONTROL		Filename	MAIN BOARD 03	Drawing No.	Sheet 4 of 6



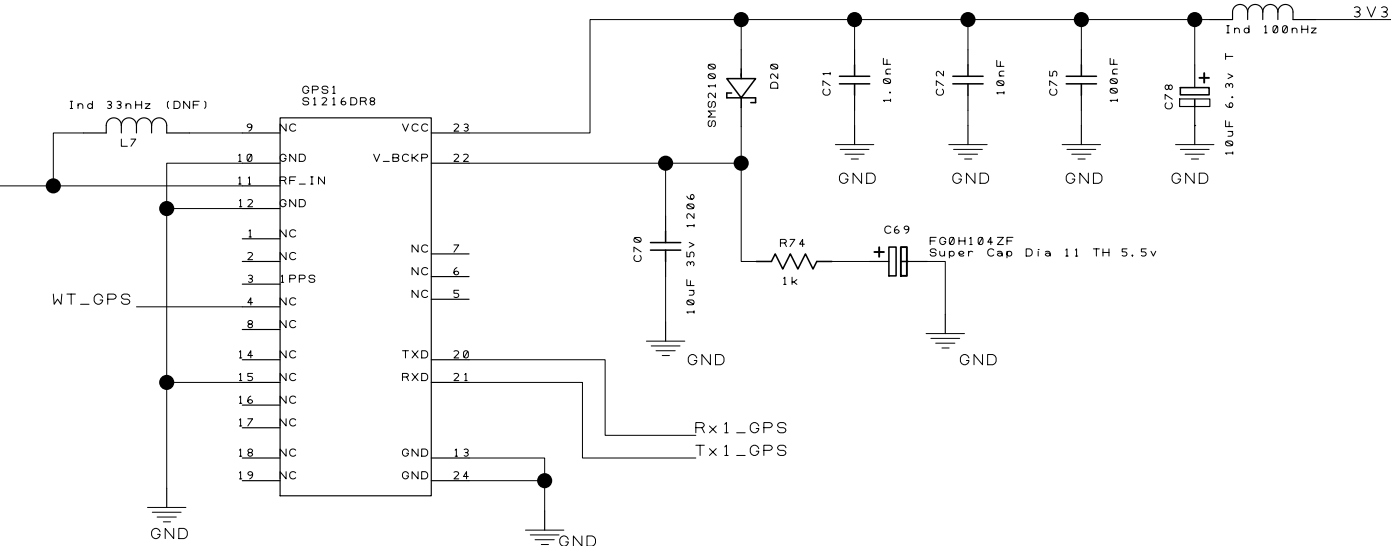
Rev -	Drawn D. G.	Check R. F.	Projection Do Not Scale		<h1>AGRIGEL</h1>
Project PRECISION PLANTING	Client AGRIGEL		Drawing No.		
Title PRECISION FLOW CONTROL	Filename MAIN BOARD 03		Drawing No.		


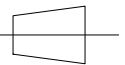


GPS ANTENNA



GPS MODULE



Rev -	Drawn D. G.	Check R. F.	Projection Do Not Scale	 	AGRIGEL
Project	PRECISION PLANTING		Client		
Title	PRECISION FLOW CONTROL		Filename	MAIN BOARD 03	Drawing No.
					Sheet 6 of 6