
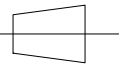
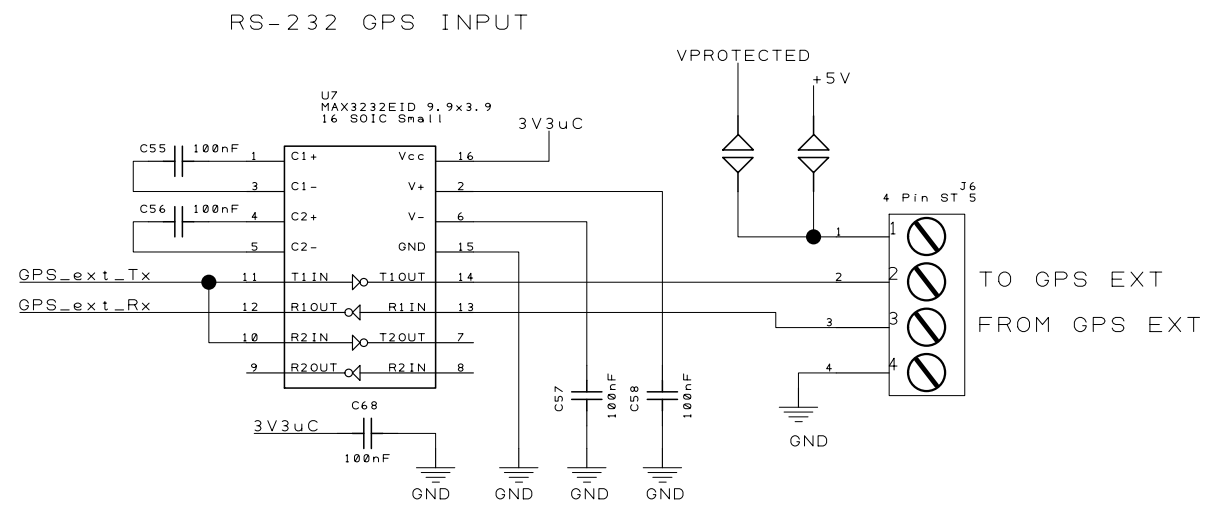
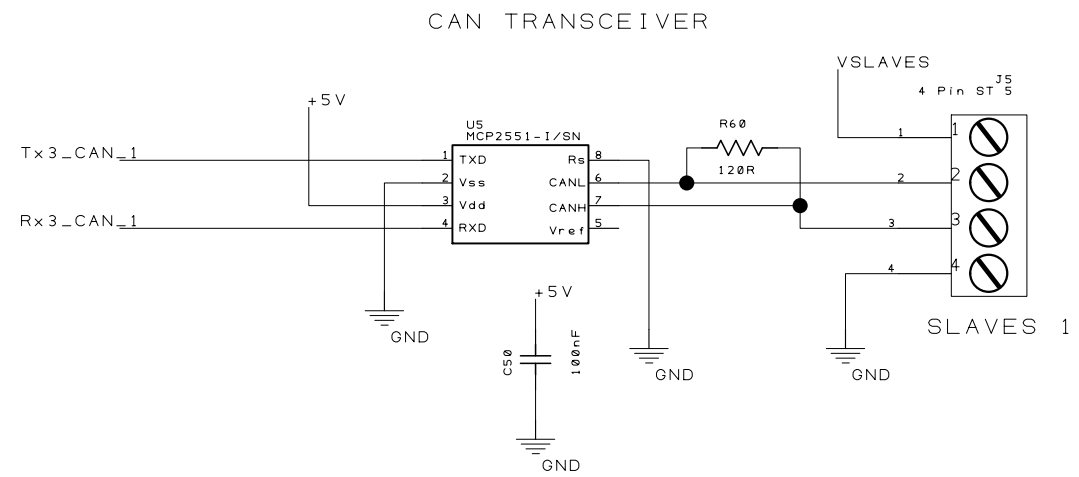
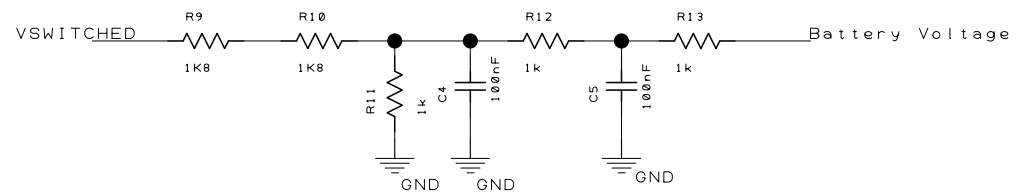
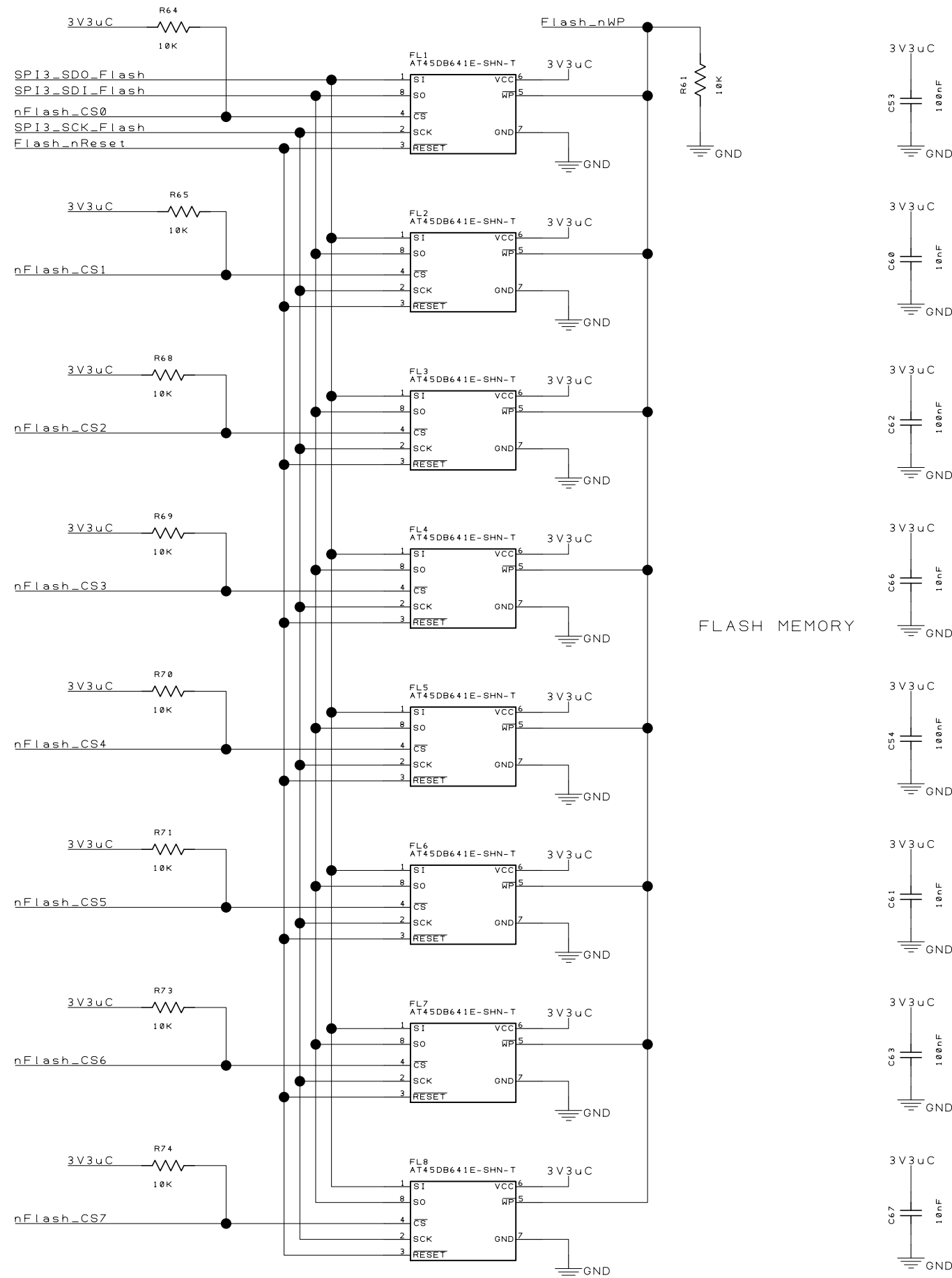
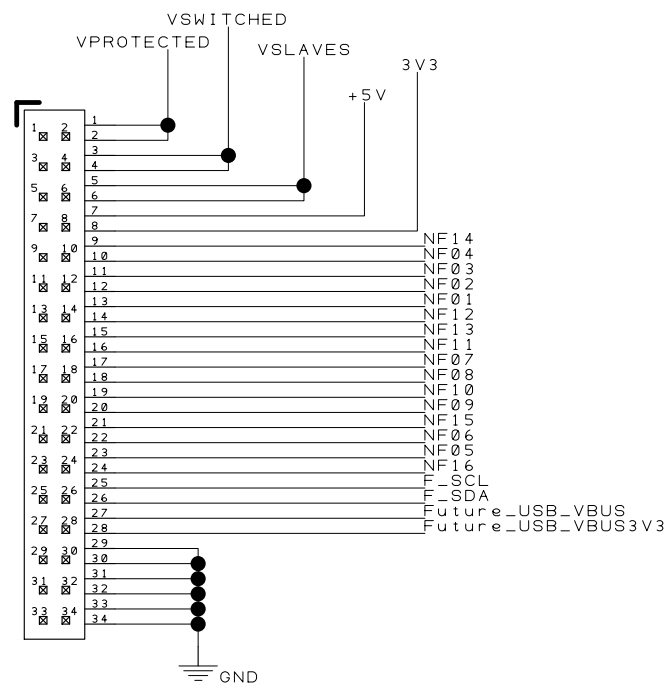
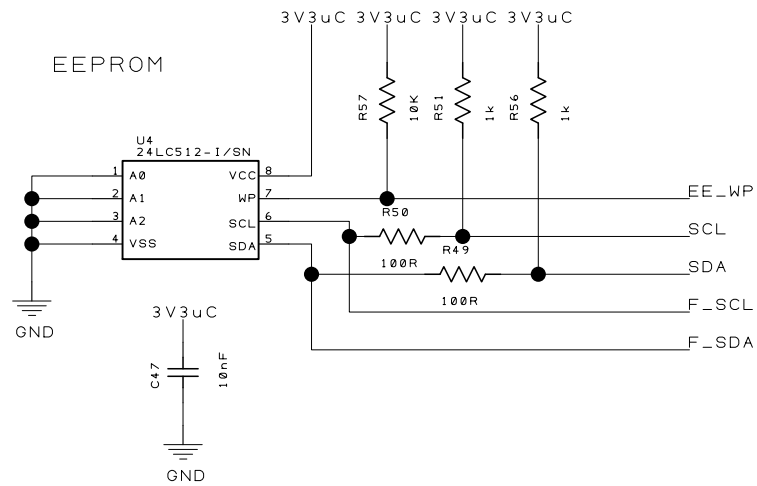



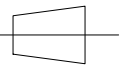
Rev -	Drawn D. G.	Check R. F.	Projection Do Not Scale	 		AGRIGEL	
Project	PRECISION PLANTING		Client				
Title	PRECISION FLOW CONTROL		Filename	MAIN BOARD 03		Drawing No.	Sheet 1 of 6

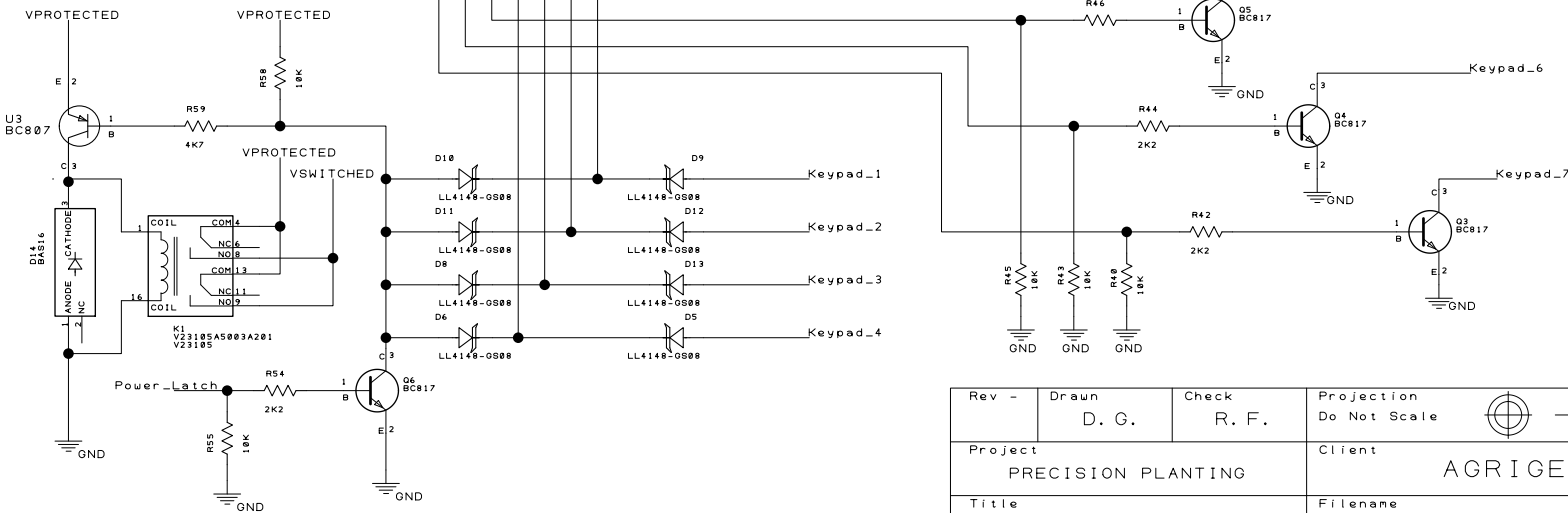
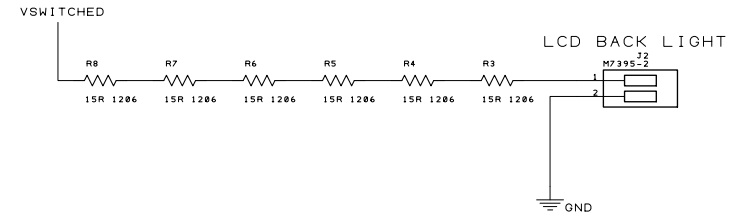
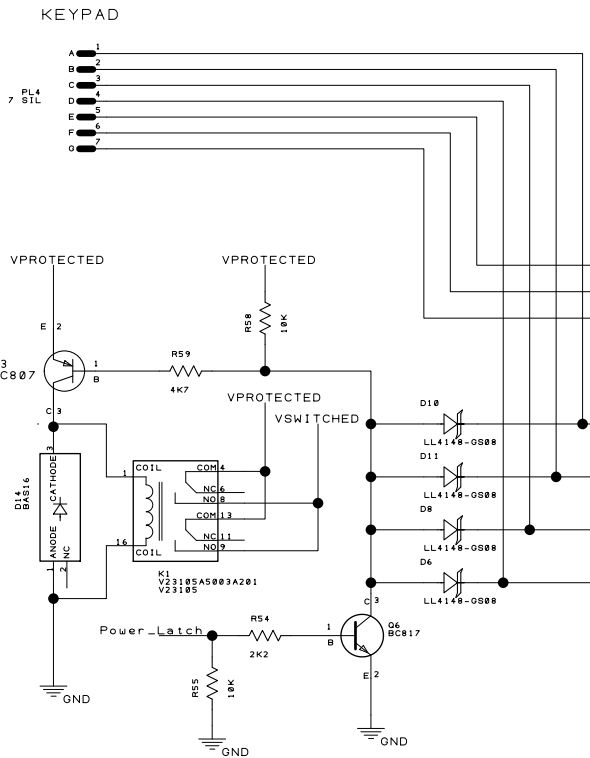
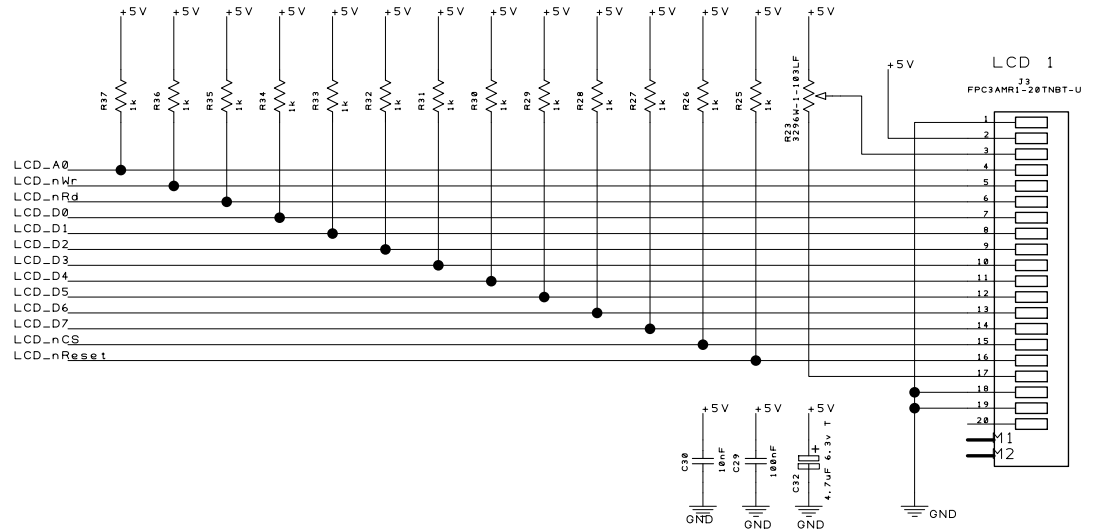
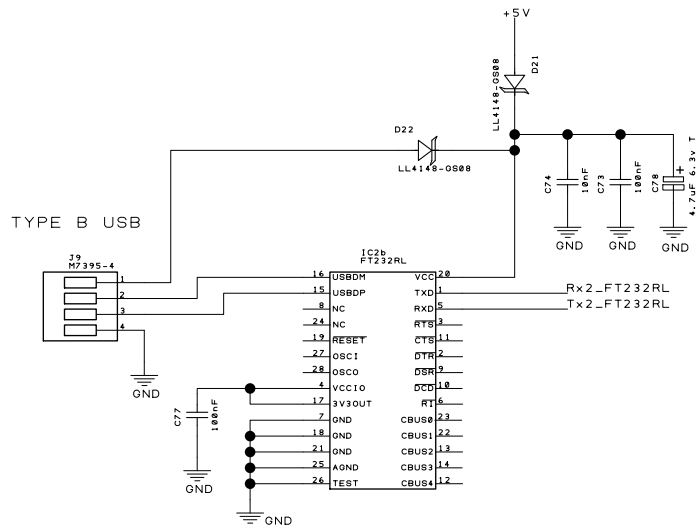




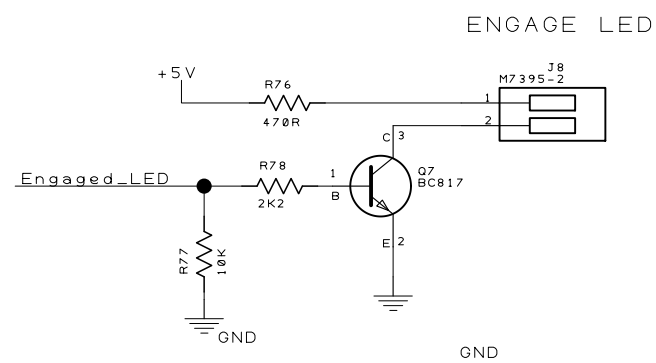
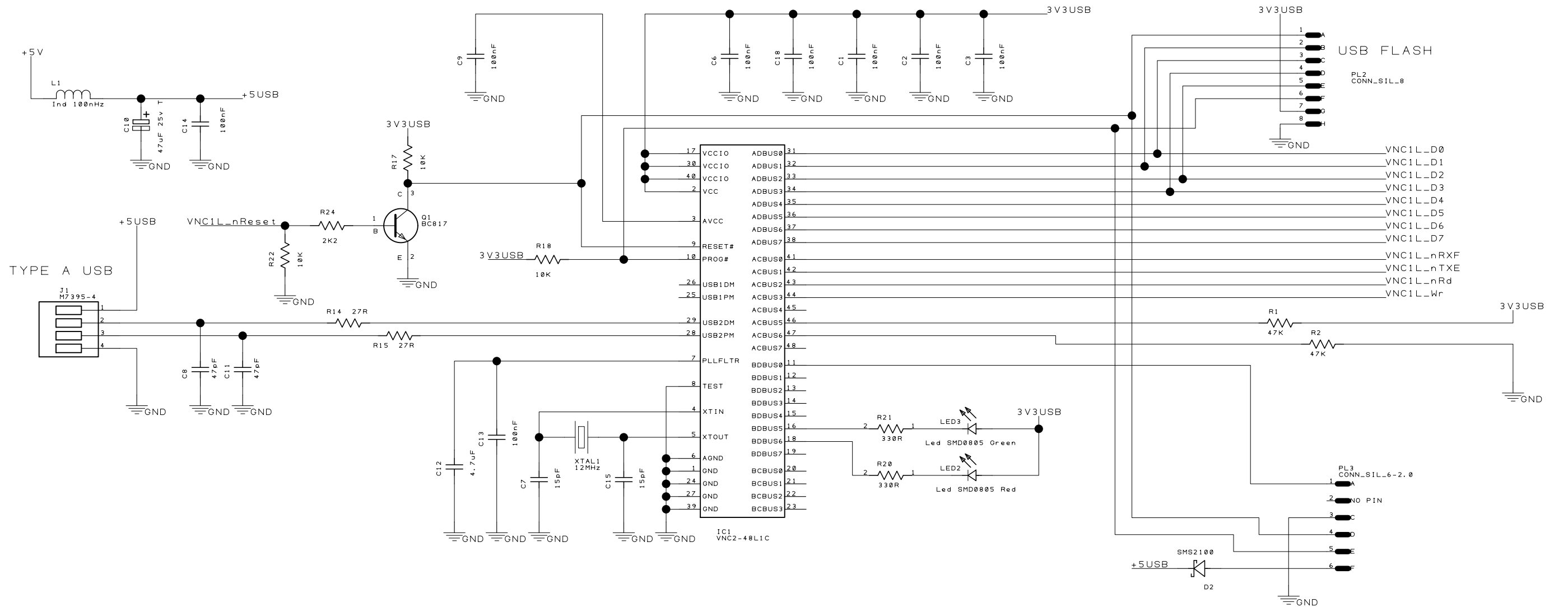
Rev -	Drawn D. G.	Check R. F.	Projection Do Not Scale			<b>AGRIGEL</b>	
Project PRECISION PLANTING		Client AGRIGEL				Drawing No.	
Title PRECISION FLOW CONTROL		Filename MAIN BOARD 03		Sheet 3 of 6			



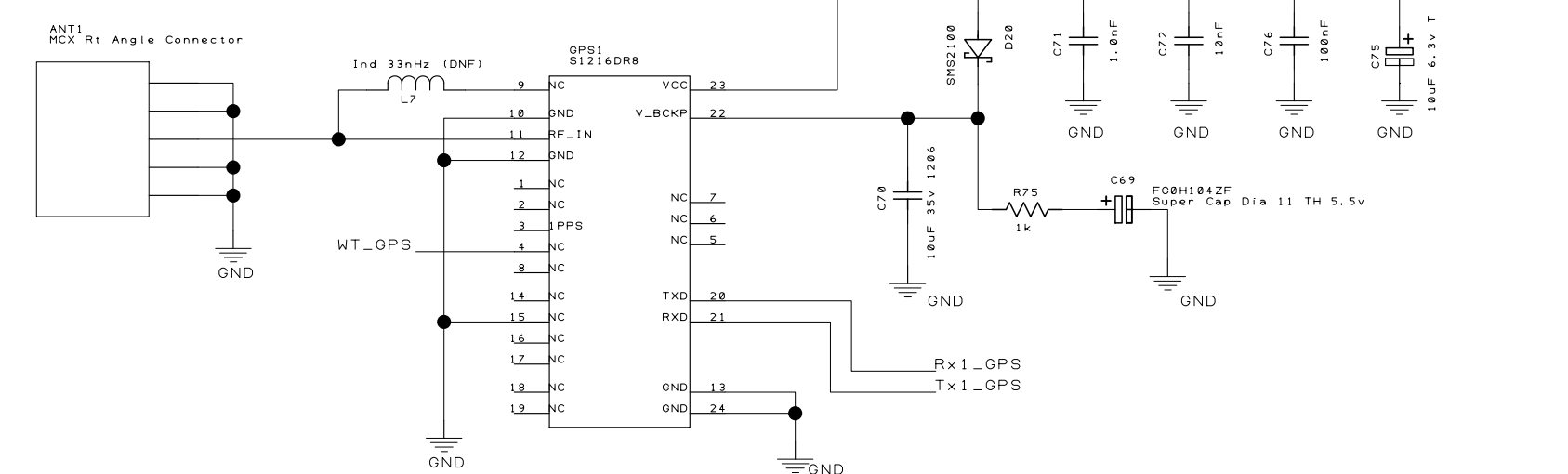
Rev -	Drawn D. G.	Check R. F.	Projection Do Not Scale	 	<b>AGRIGEL</b>	
Project	PRECISION PLANTING		Client			
Title	PRECISION FLOW CONTROL		Filename	MAIN BOARD 03		Drawing No.
						Sheet
						4 of 6

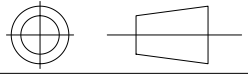


Rev -	Drawn D. G.	Check R. F.	Projection Do Not Scale	 	<b>AGRIGEL</b>	
Project	PRECISION PLANTING		Client			AGRIGEL
Title	PRECISION FLOW CONTROL		Filename	MAIN BOARD 03	Drawing No.	
					Sheet	5 of 6



**GPS ANTENNA**



Rev -	Drawn D. G.	Check R. F.	Projection Do Not Scale	 <b>AGRIGEL</b>
Project	PRECISION PLANTING		Client AGRIGEL	
Title	PRECISION FLOW CONTROL		Filename MAIN BOARD 03	
			Drawing No.	Sheet 6 of 6