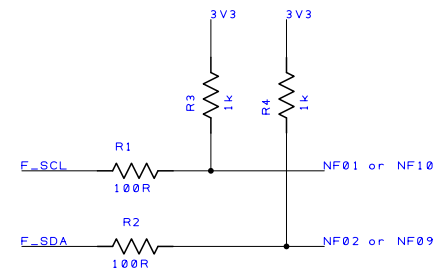
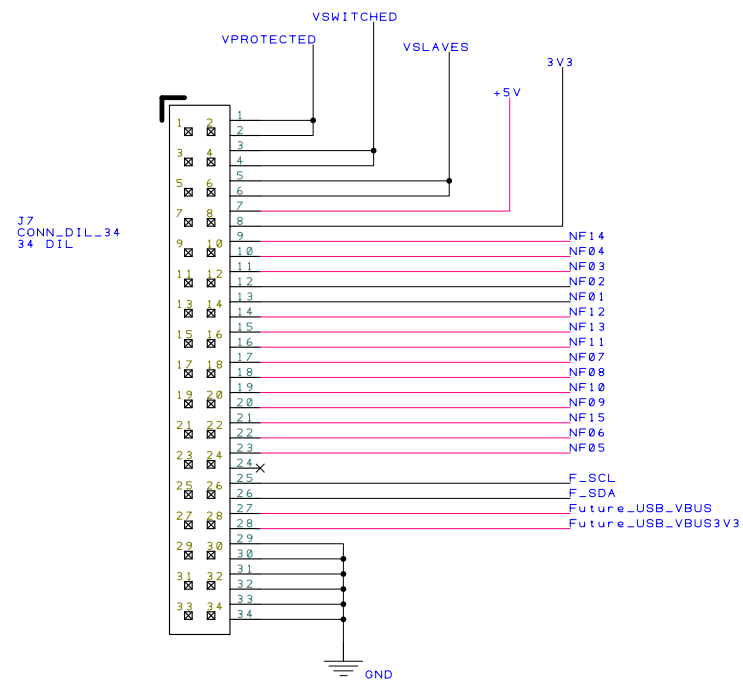


On Main Board remove R49 & R50
and R51 & R56

SDA : RF0 pin 87
 SCL : RF1 pin 88
 Move to :
 SDA : RF4 pin 49 NF09
 SCL : RF5 pin 50 NF10
 or
 SDA : RA3 pin 59 NF02
 SCL : RA2 pin 58 NF01



Rev -	Drawn	Check	Projection Do Not Scale		AGRIGEL	
Project			Client			
Title			Filename	Drawing No.	Sheet of	