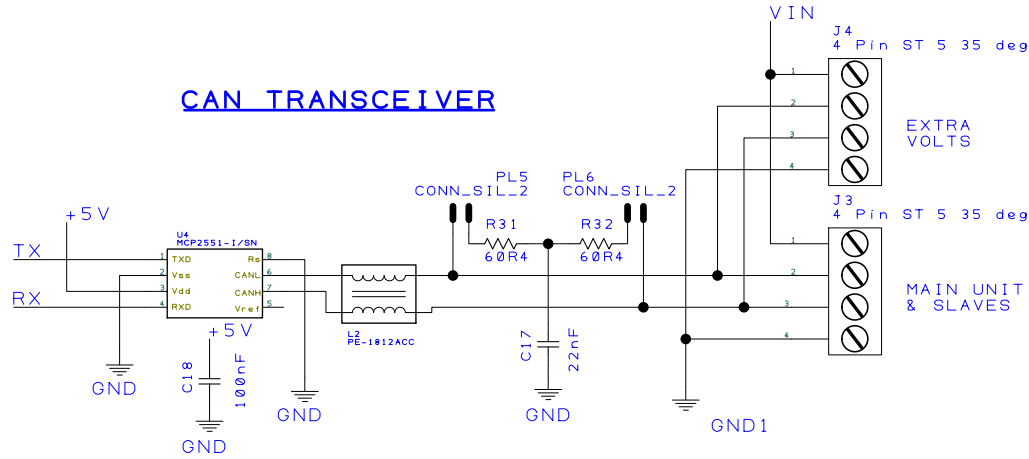
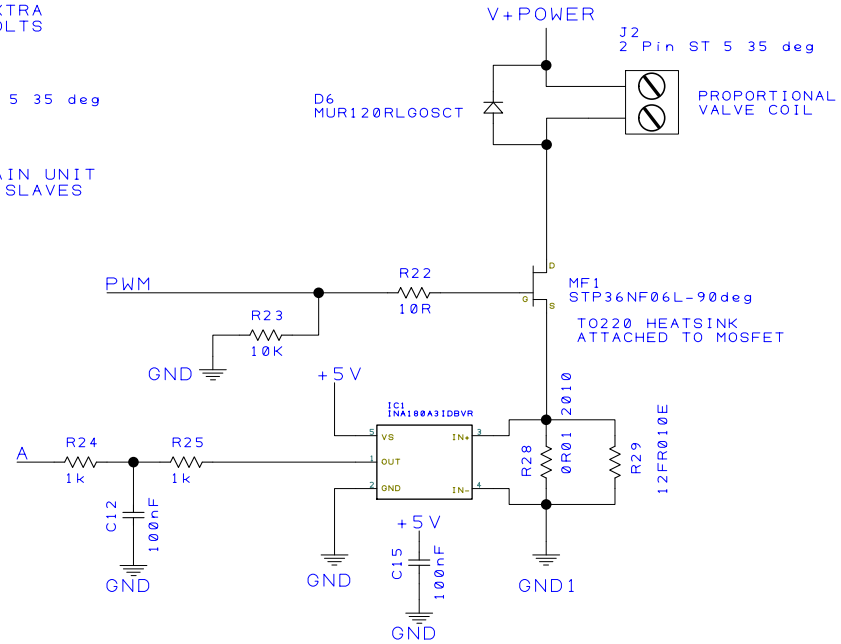


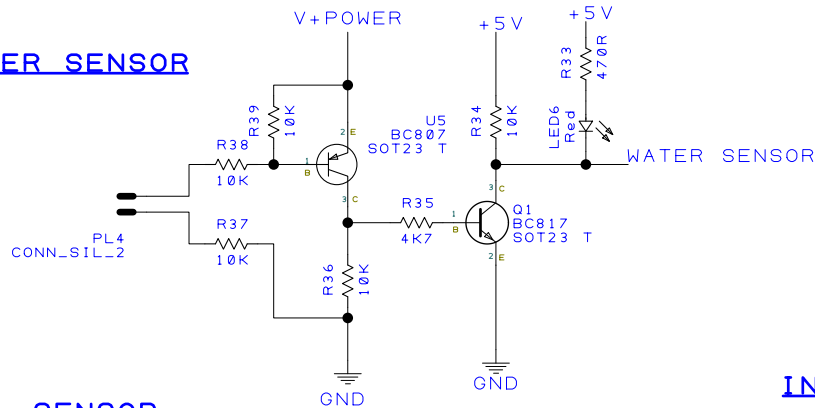
CAN TRANSCEIVER



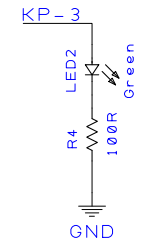
PROPORTIONAL VALVE CONTROL



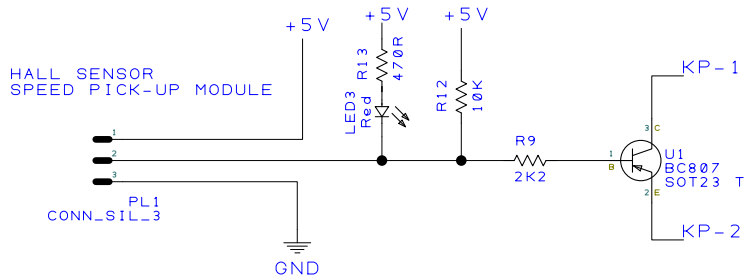
WATER SENSOR



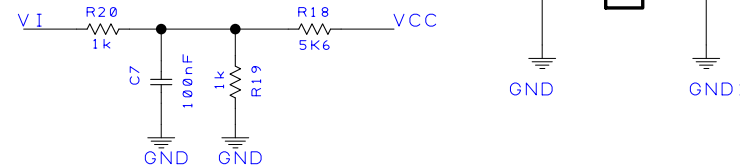
COMS LED



HALL SENSOR



INPUT VOLT METER



Rev -	Drawn	Check	Projection Do Not Scale		AGRIGEL
Project			Client		
Title			Filename		
			HYDRAULIC DRIVE		Drawing No.
					Sheet 2 of 2