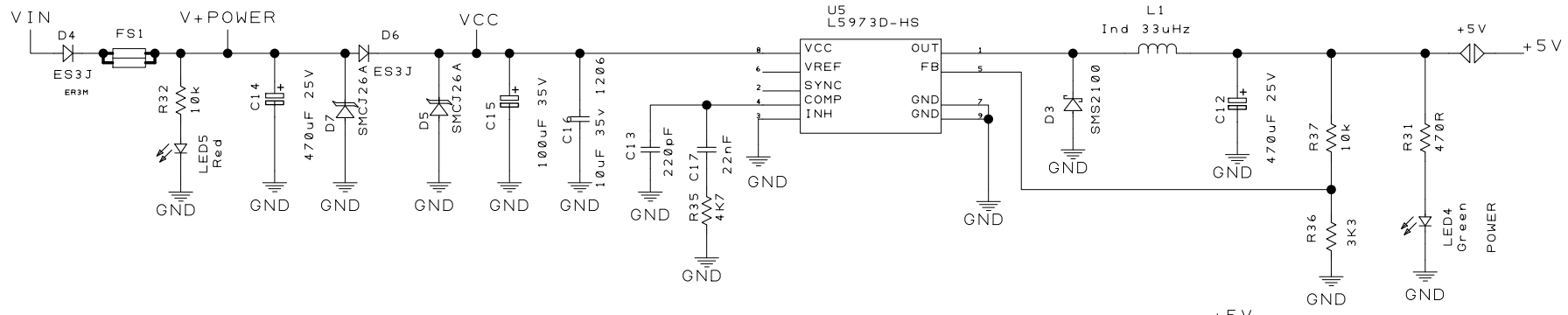
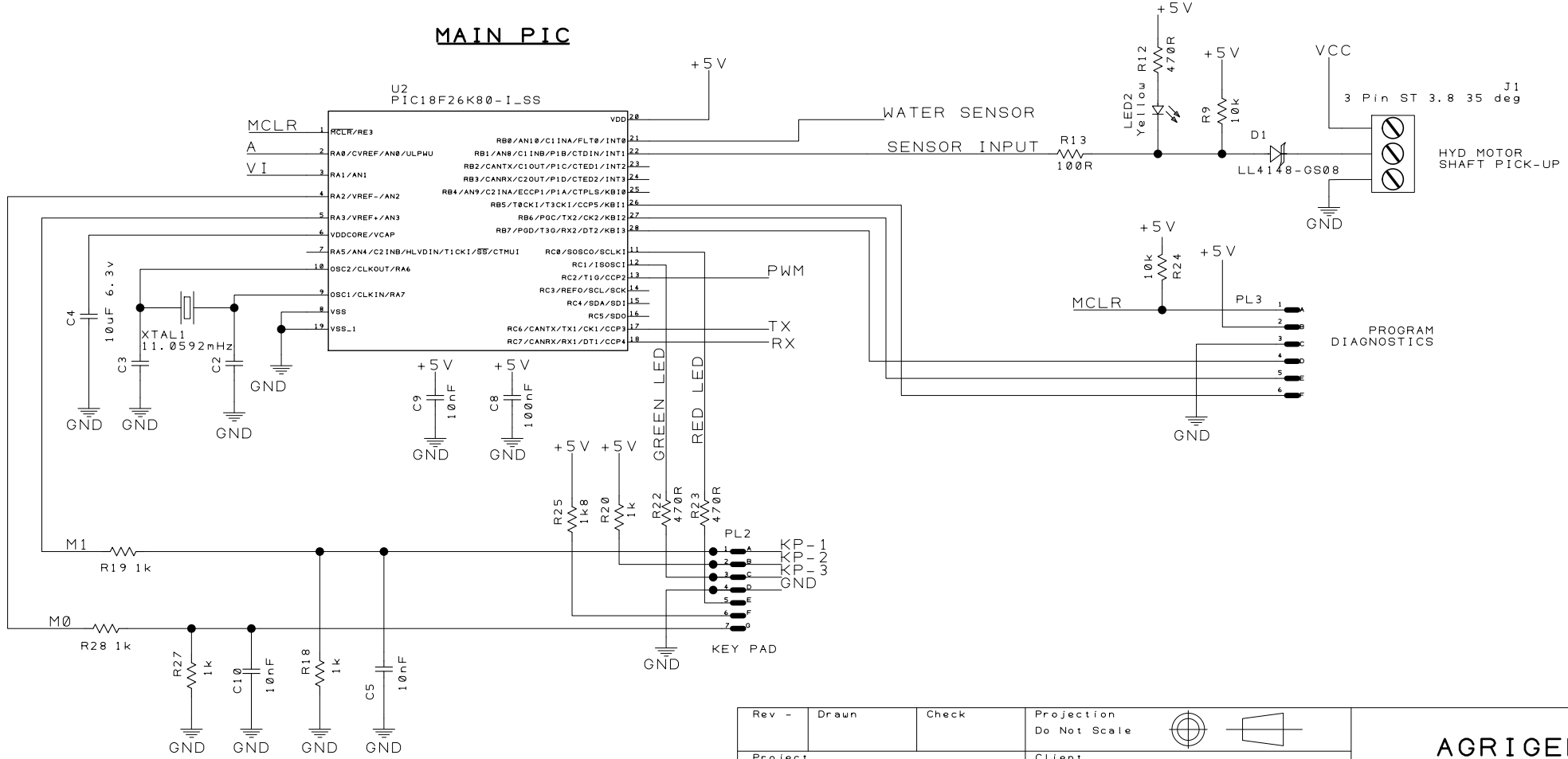


5V POWER SUPPLY

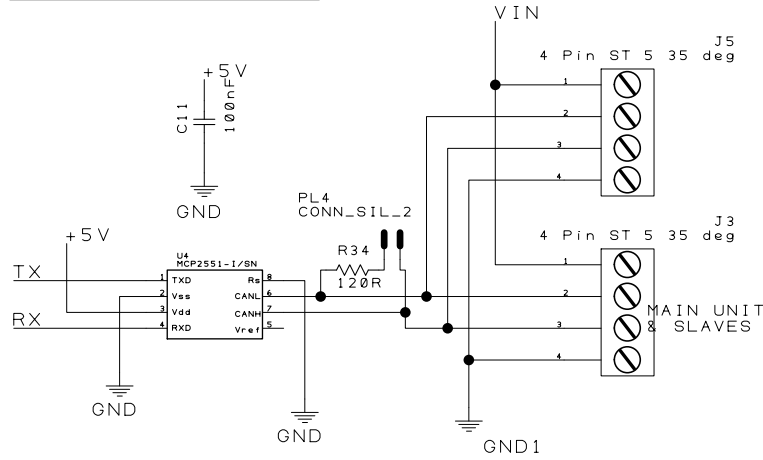


MAIN PIC

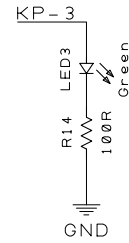


Rev -	Drawn	Check	Projection Do Not Scale		AGRIGEL
Project			Client		
Title			Filenane HYDRAULIC DRIVE		
			Drawing No.		Sheet 1 of 2

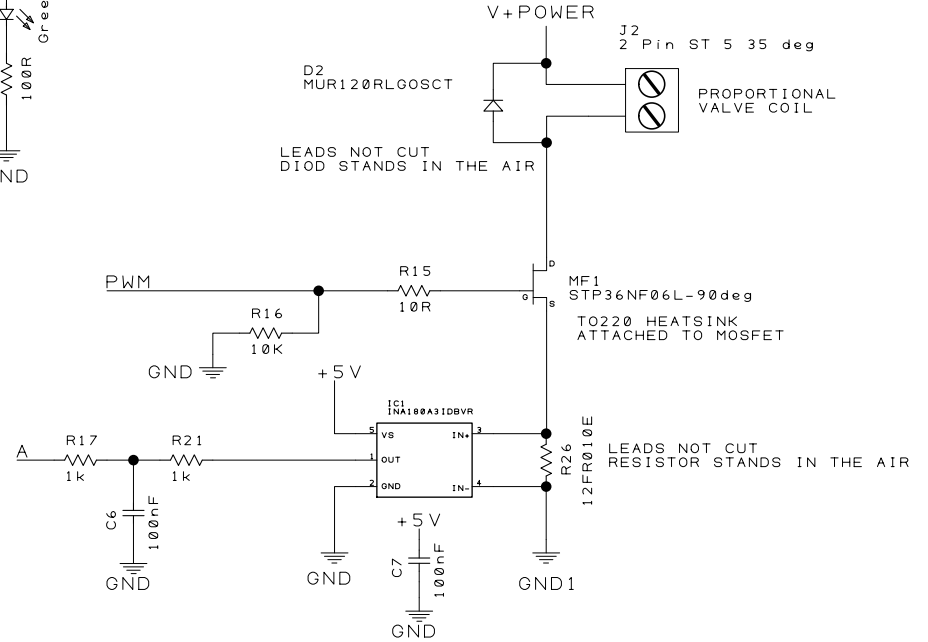
CAN TRANSCEIVER



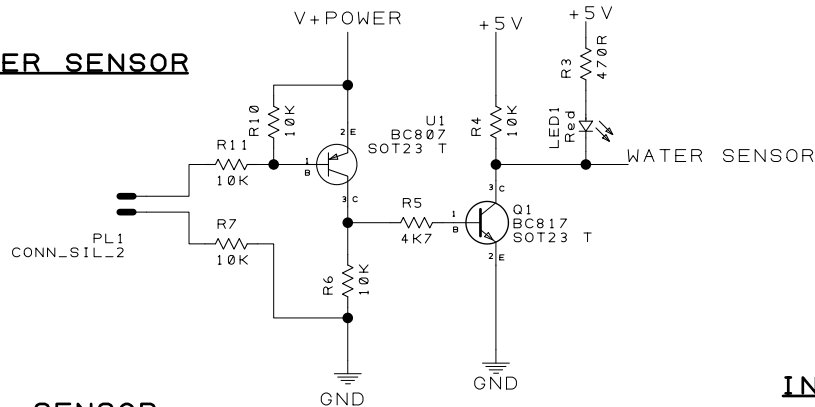
COMS_LED



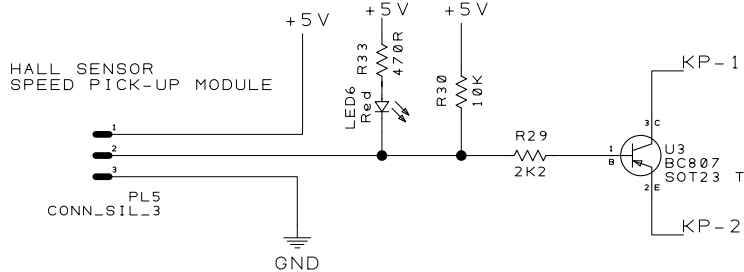
PROPORTIONAL VALVE CONTROL



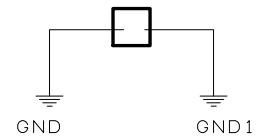
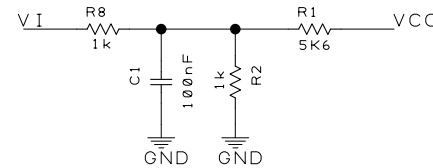
WATER SENSOR



HALL SENSOR



INPUT VOLT METER



Rev -	Drawn	Check	Projection Do Not Scale		AGRIGEL
Project			Client		
Title			Filename		
			HYDRAULIC DRIVE		Drawing No.
					Sheet 2 of 2