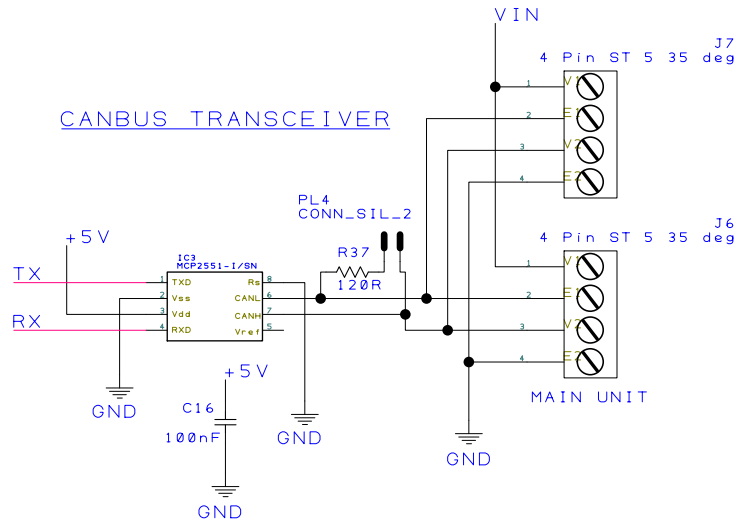
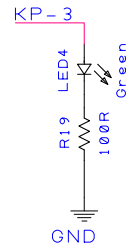


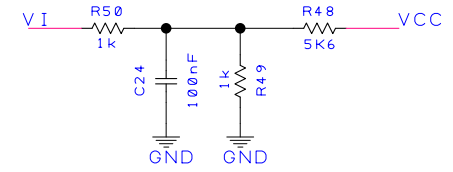
Rev -	Drawn D. L. G.	Check	Projection Do Not Scale		AGRIGEL	
Project	GRANULAR MONITORING		Client			AGRIGEL
Title	MONITORING BOARD		Filename			Drawing No.



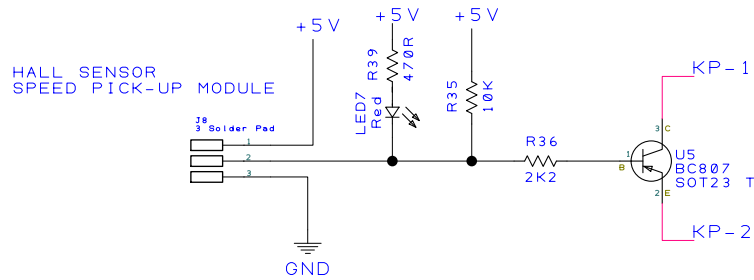
COMS LED



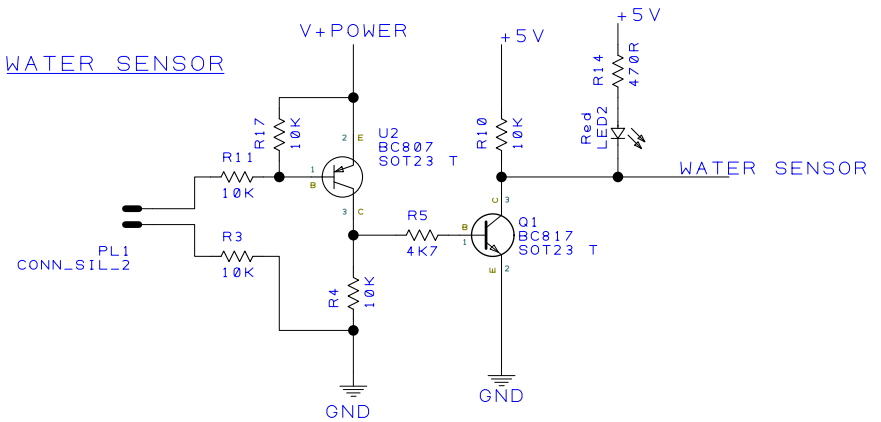
INPUT VOLT METER



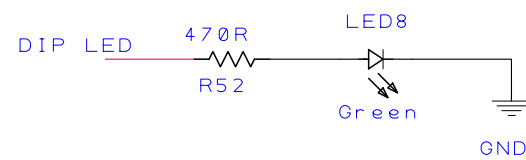
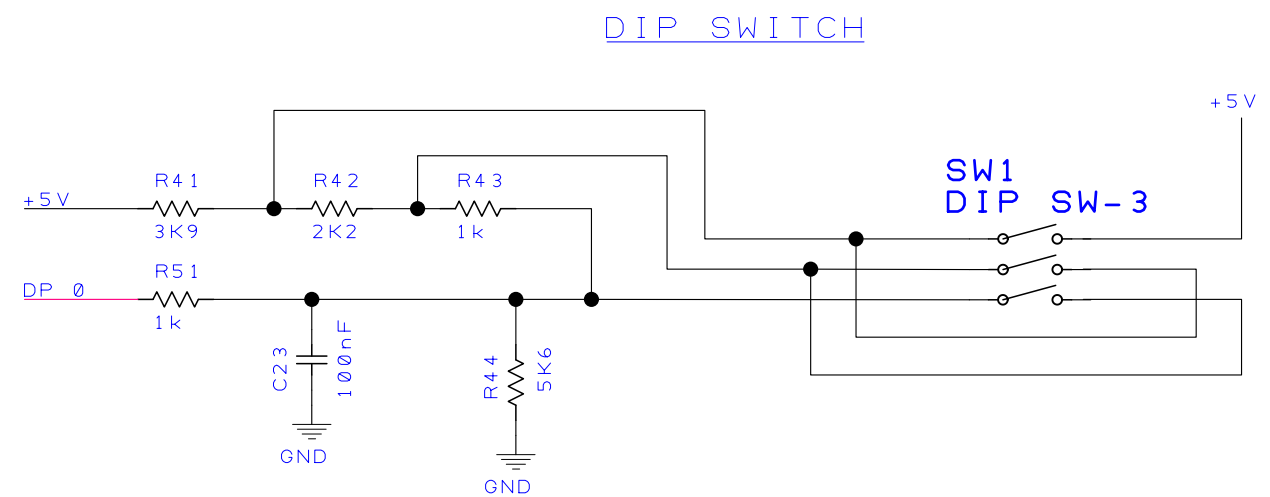
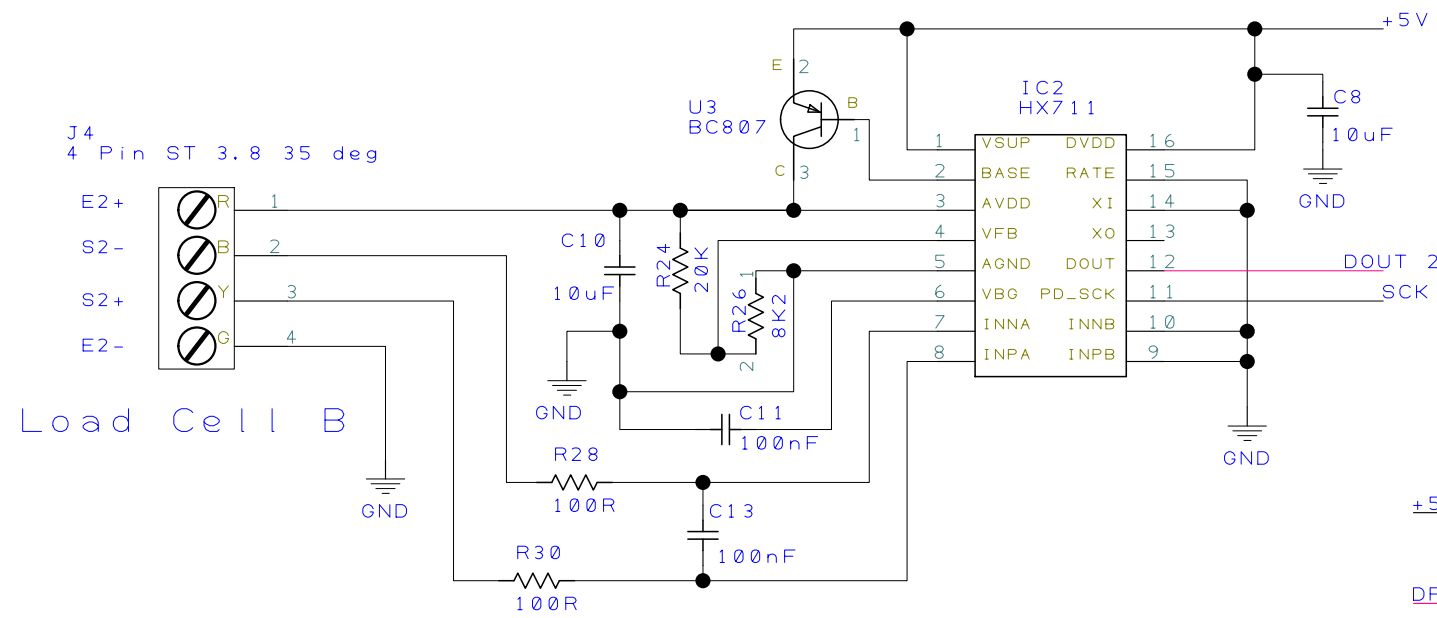
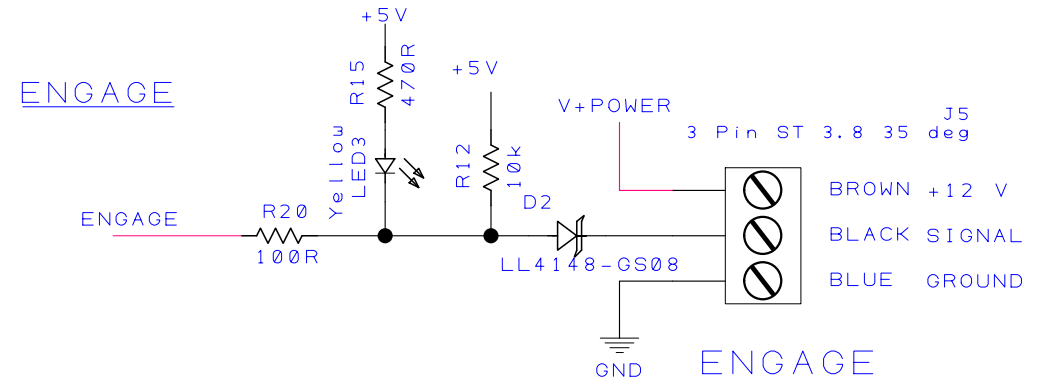
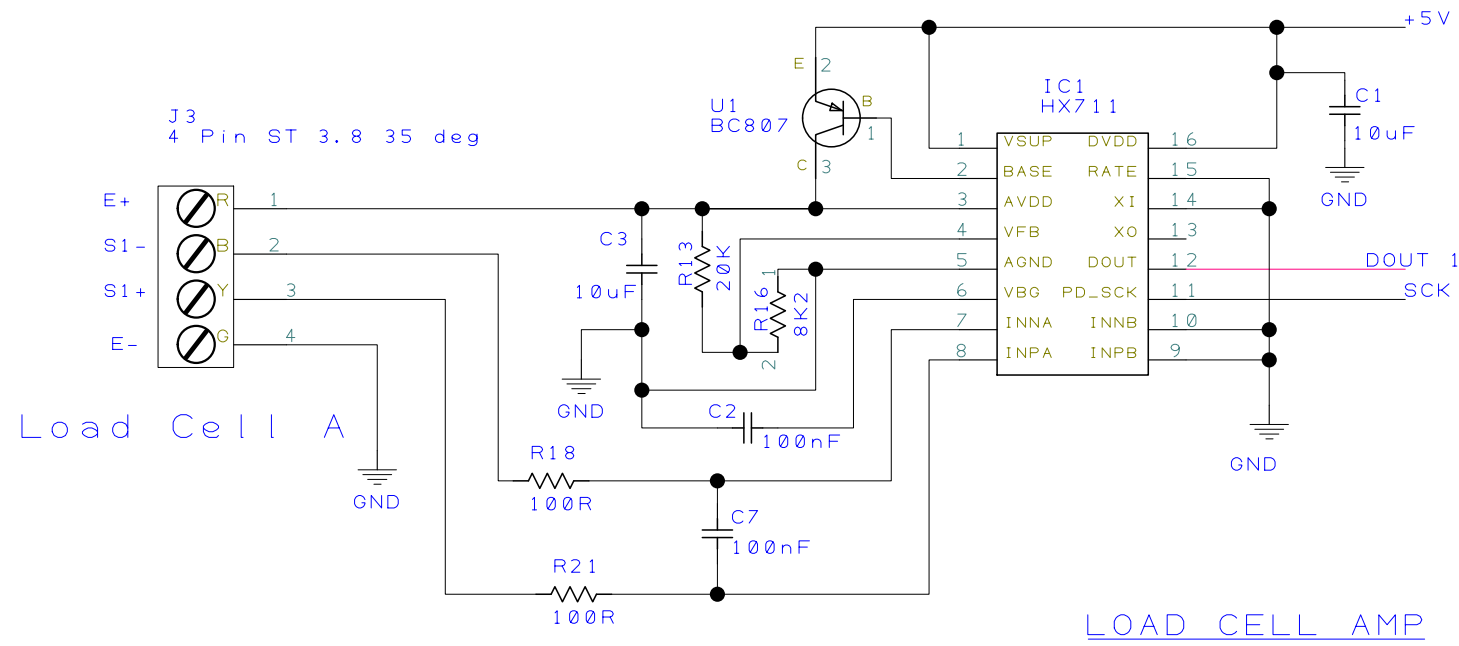
HALL SENSOR



WATER SENSOR



Rev -	Drawn D. L. G.	Check	Projection Do Not Scale		<h1>AGRIGEL</h1>
Project GRANULAR MONITORING			Client AGRIGEL		
Title MONITORING BOARD			Filename	Drawing No.	



Rev -	Drawn D. L. G.	Check	Projection Do Not Scale		AGRIGEL
Project GRANULAR MONITORING			Client AGRIGEL		
Title MONITORING BOARD			Filename	Drawing No.	Sheet 3 of 3