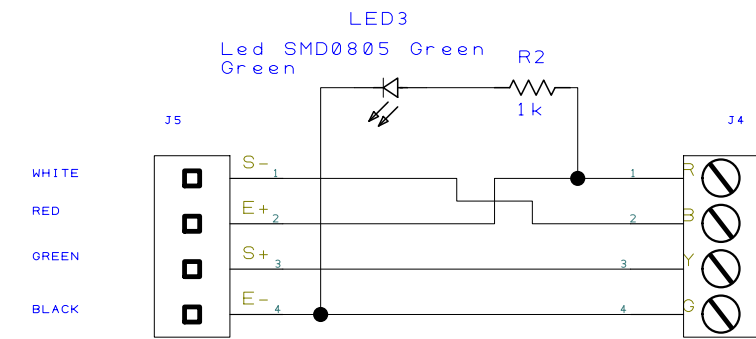
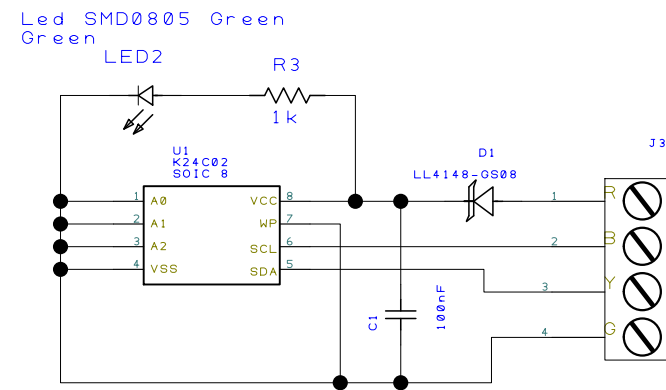


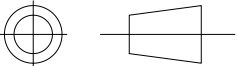
LOAD CELL A



LOAD CELL B



EEPROM

Rev -	Drawn D. L. G	Check	Projection Do Not Scale	 <b>AGRIGEL</b>	
Project GRANULAR MEASUREMENT			Client <b>AGRIGEL</b>		
Title CONNECTOR BOARD			Filename	Drawing No.	Sheet 1 of 1