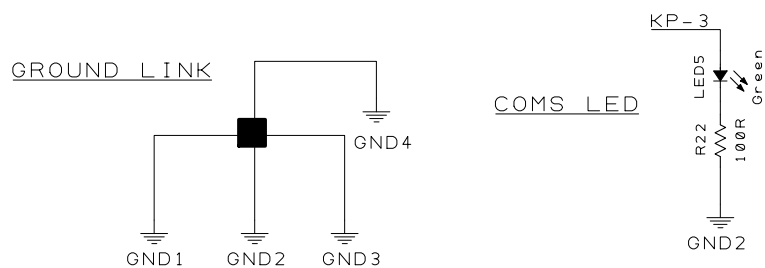
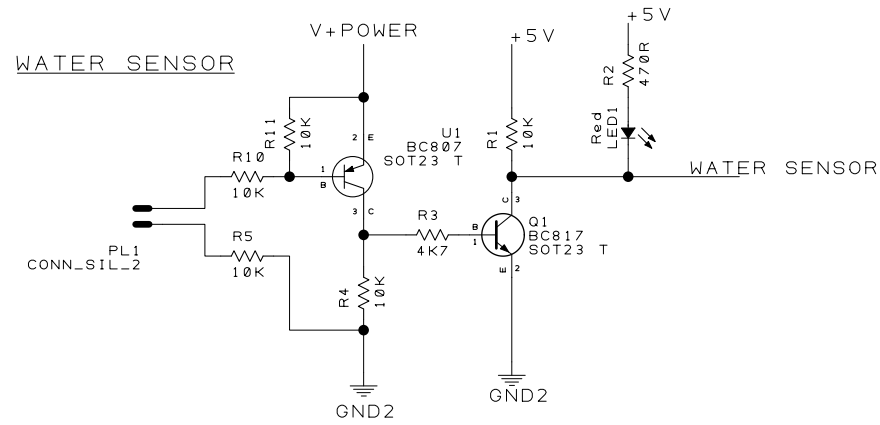
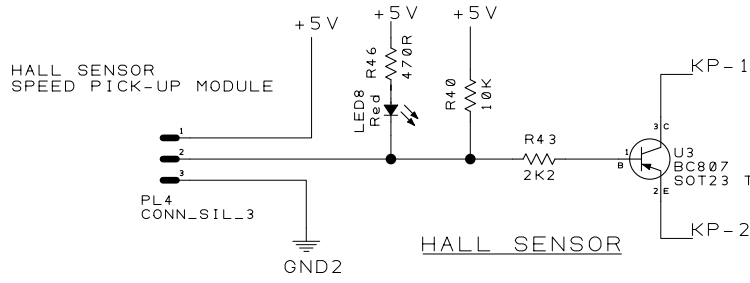
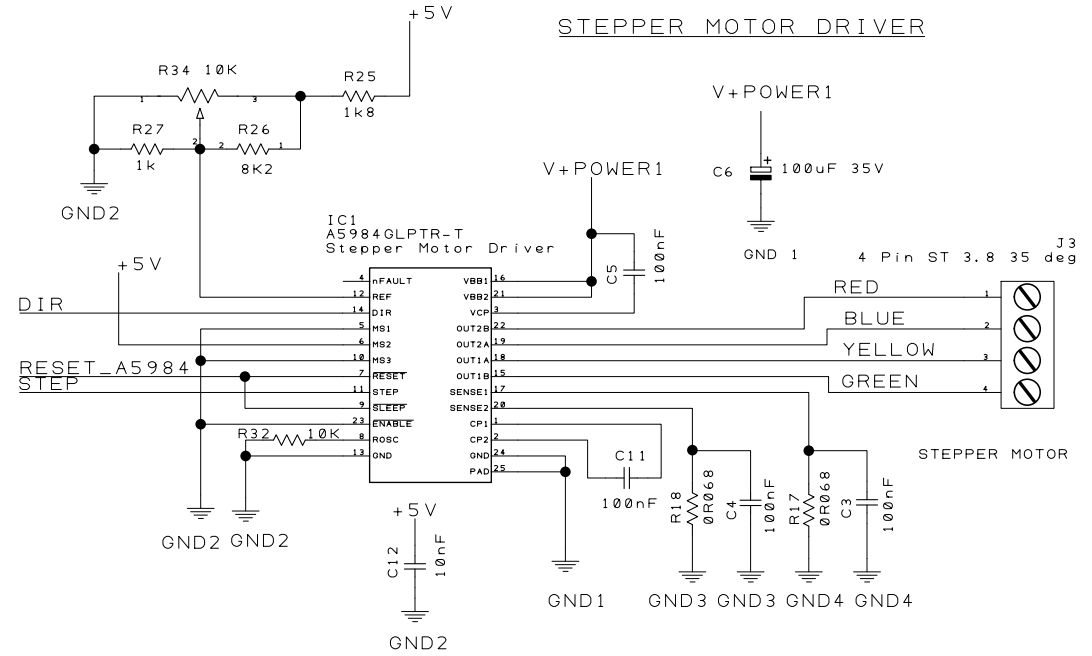
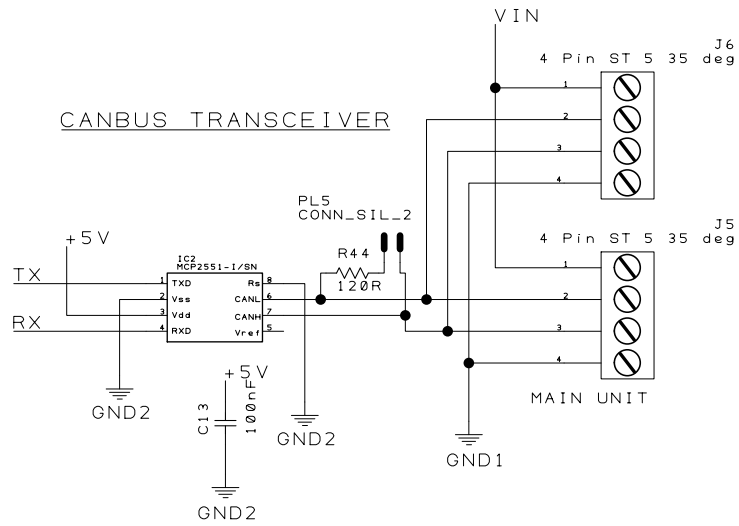
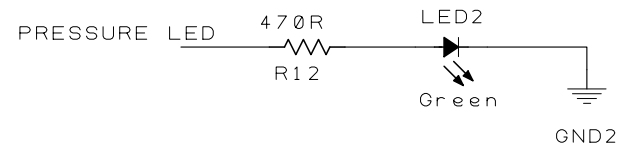


Rev - 0401	Drawn D. L. G.	Check	Projection Do Not Scale		AGRIGEL
Project Agrigel Precision Flow			Client AGRIGEL		
Title FLOW CONTROL BOARD			Filename Flow Control Board 0401.prj		Drawing No.
					Sheet of

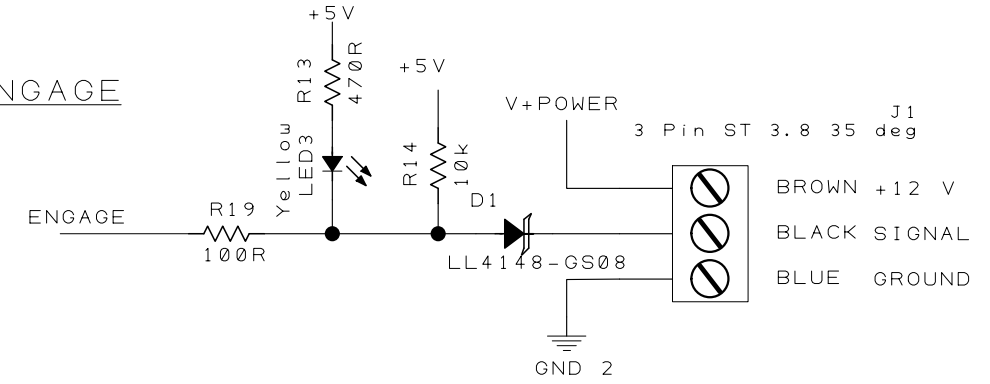


Rev - 0401	Drawn D. L. G.	Check	Projection Do Not Scale	 	AGRIGEL
Project Agrigel Precision Flow		Client AGRIGEL			
Title FLOW CONTROL BOARD		Filename Flow Control Board 0401.prj		Drawing No.	Sheet of

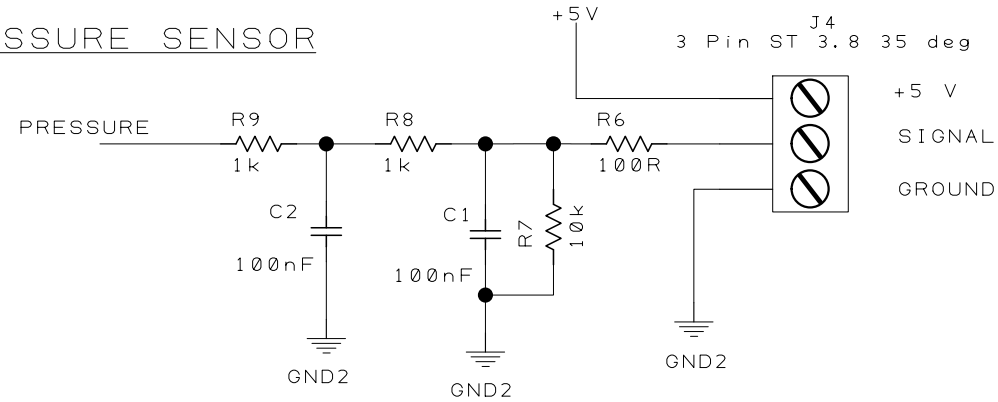
PRESSURE LED



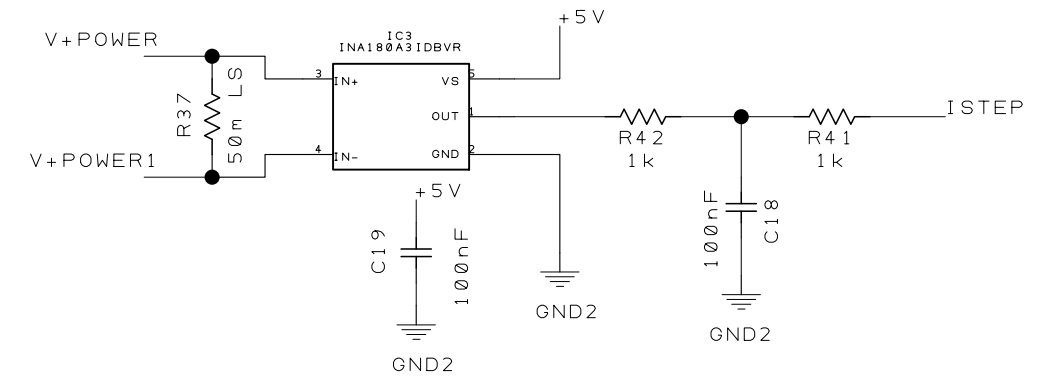
ENGAGE



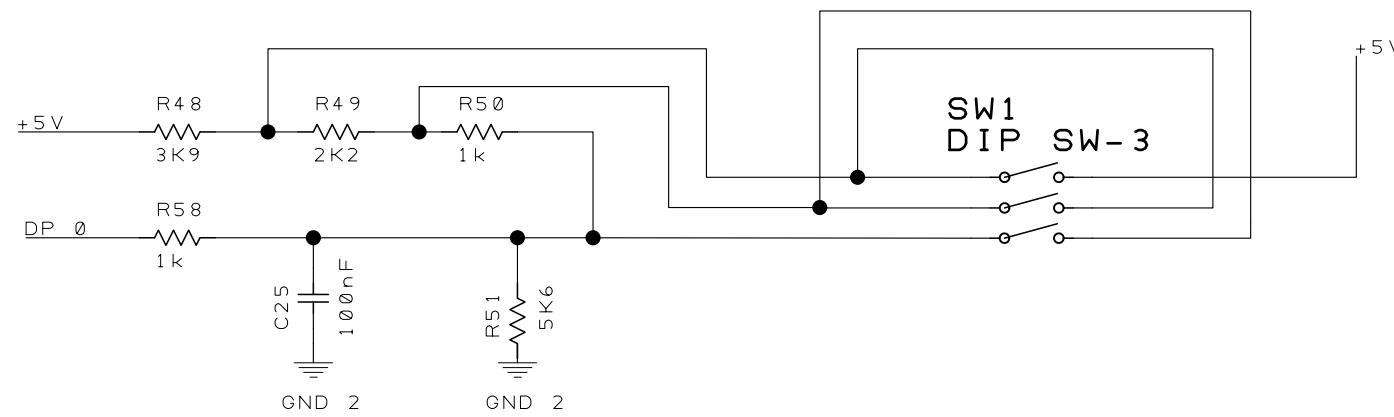
PRESSURE SENSOR



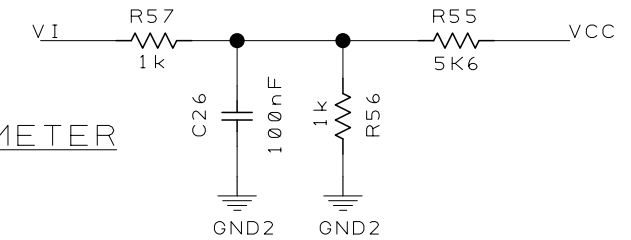
STEPPER AMP METER



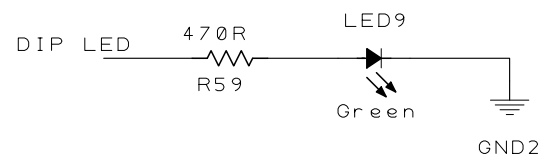
DIP SWITCH

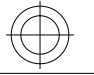
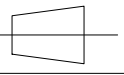


INPUT VOLT METER



DIP SWITCH LED



Rev - 0401	Drawn D. L. G.	Check	Projection Do Not Scale	 	AGRIGEL	
Project Agrigel Precision Flow			Client AGRIGEL			
Title FLOW CONTROL BOARD			Filename Flow Control Board 0401.prj		Drawing No.	Sheet of