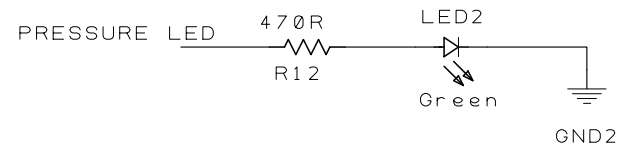
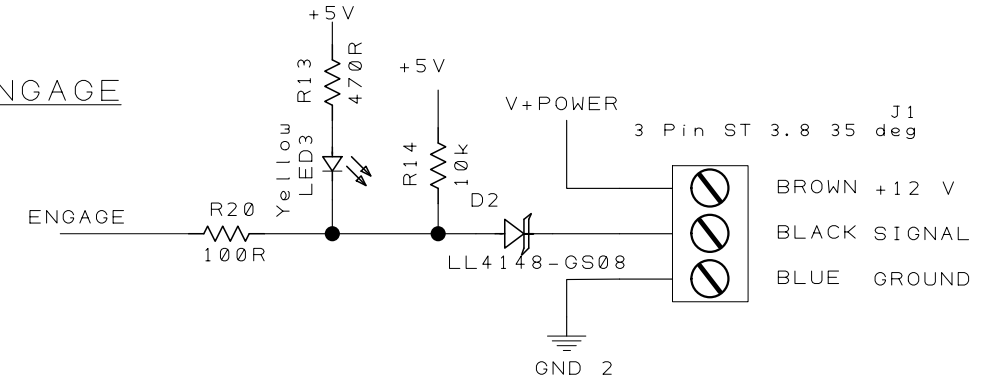


Rev - 0401	Drawn D. L. G.	Check	Projection Do Not Scale		AGRIGEL
Project Agrigel Precision Flow		Client AGRIGEL			
Title FLOW CONTROL BOARD		Filename Flow Control Board 0401.prj	Drawing No.	Sheet of	

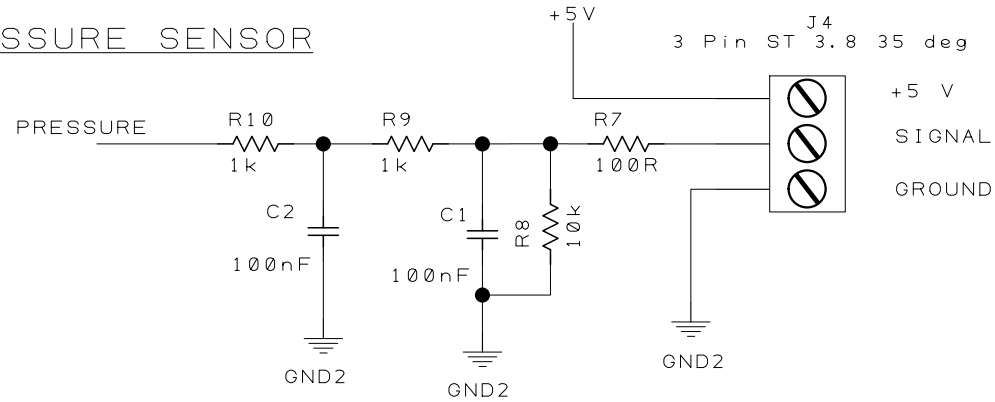
PRESSURE_LED



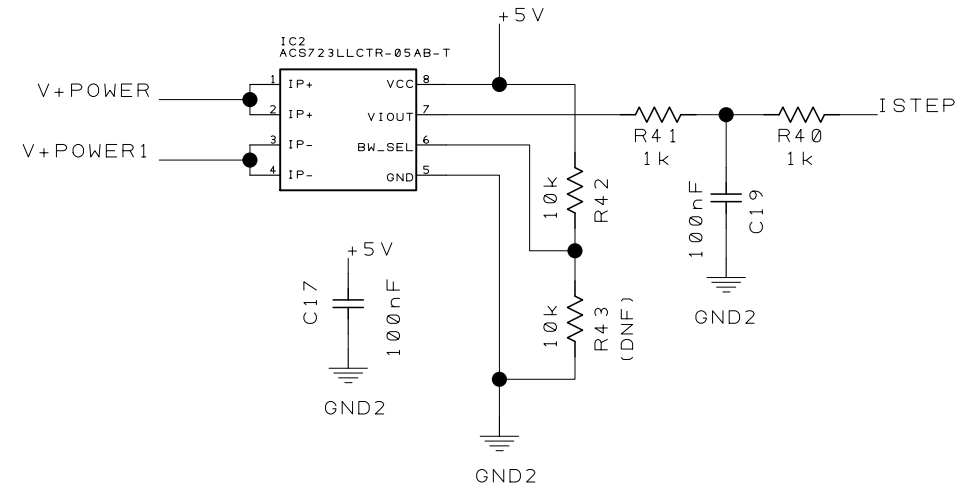
ENGAGE



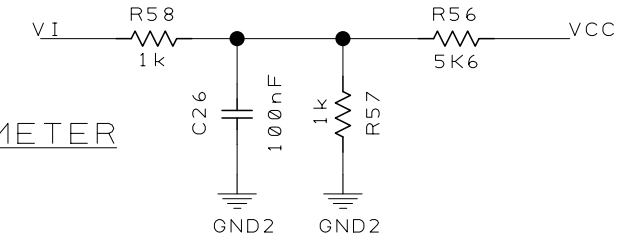
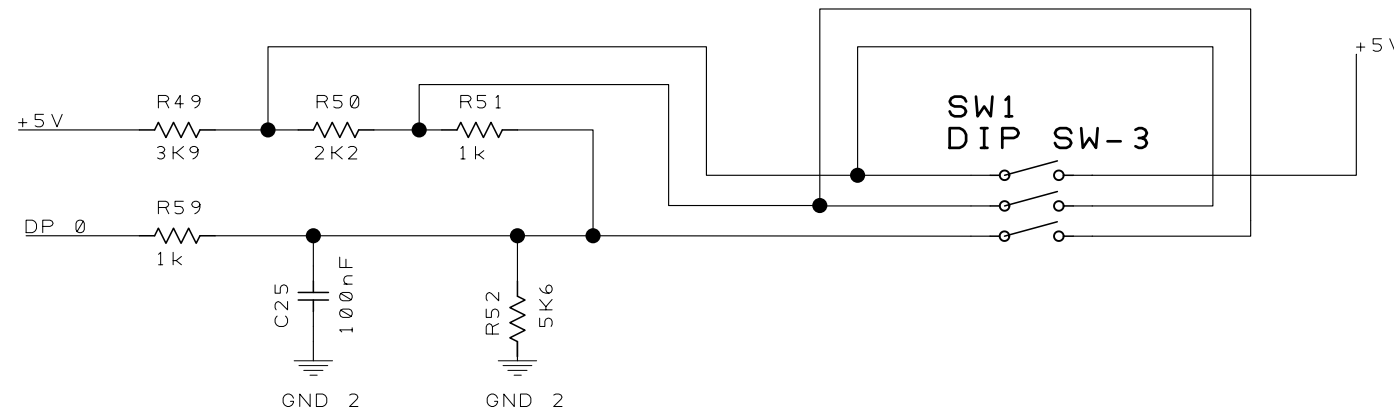
PRESSURE_SENSOR



STEPPER AMP METER

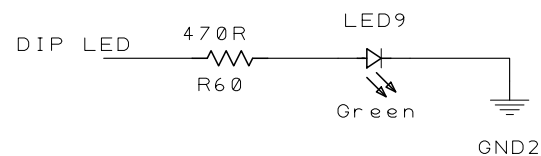


DIP_SWITCH



INPUT VOLT METER

DIP_SWITCH_LED



Rev - 0401	Drawn D. L. G.	Check	Projection Do Not Scale		AGRIGEL	
Project Agrigel Precision Flow			Client AGRIGEL			
Title FLOW CONTROL BOARD			Filename Flow Control Board 0401.prj		Drawing No.	Sheet of