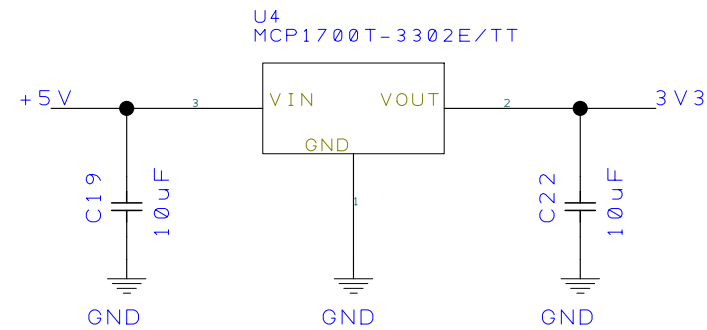
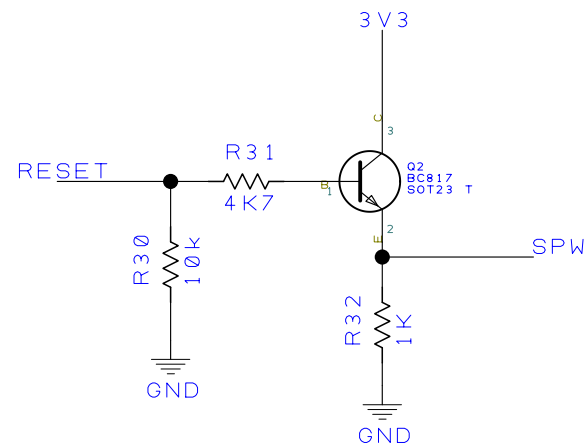
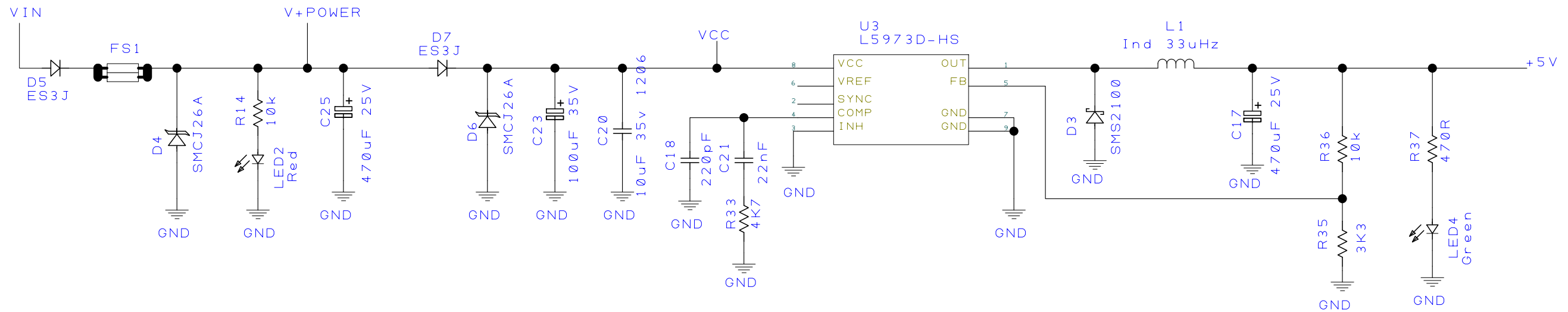
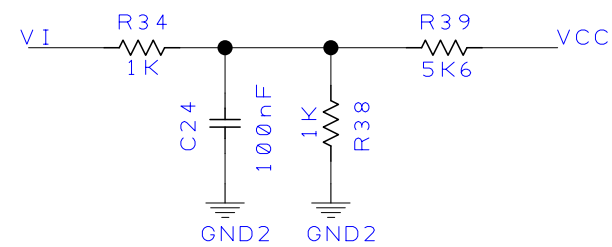


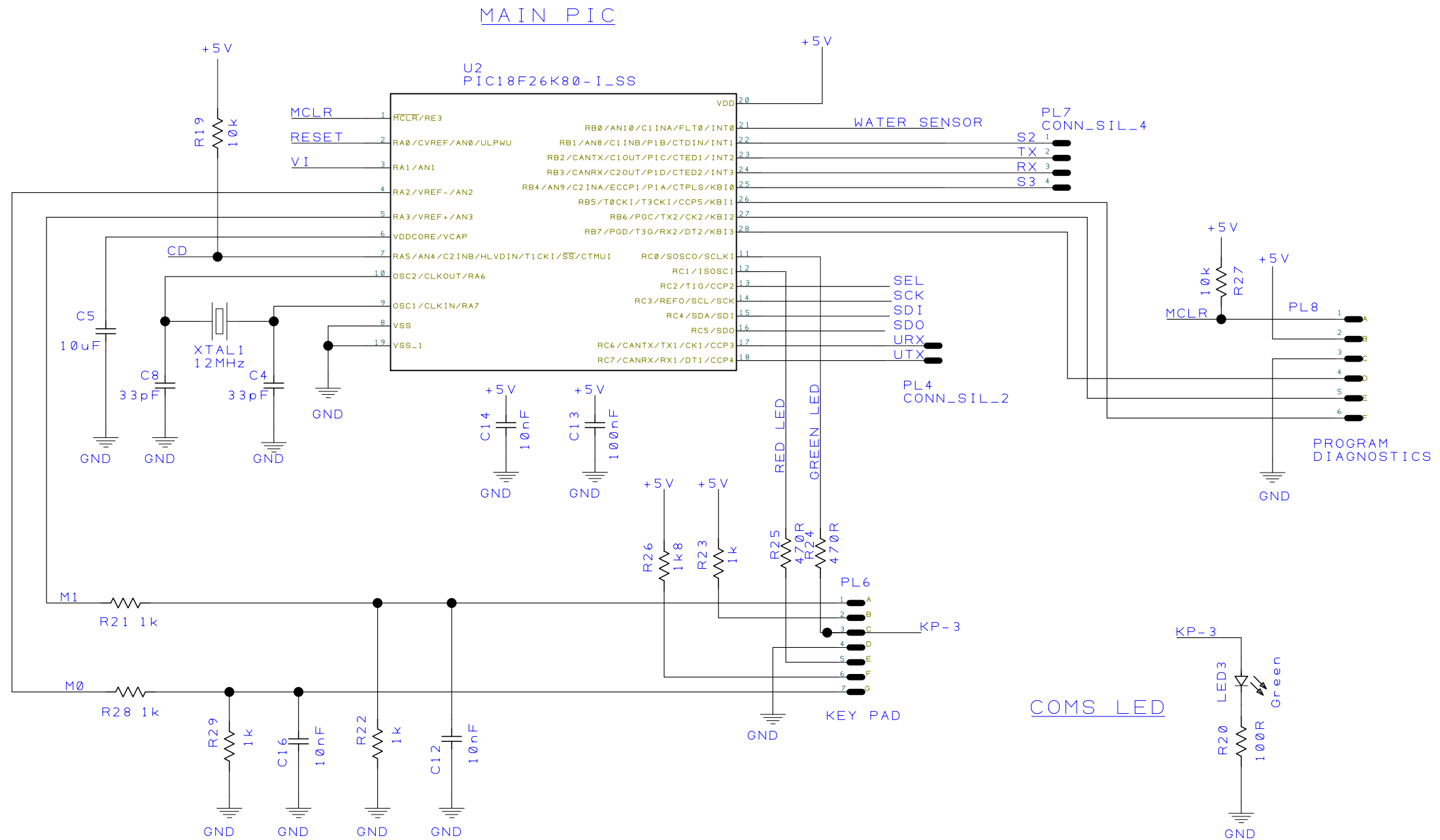
VOLTAGE REGULATION

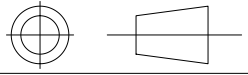


INPUT VOLT METER

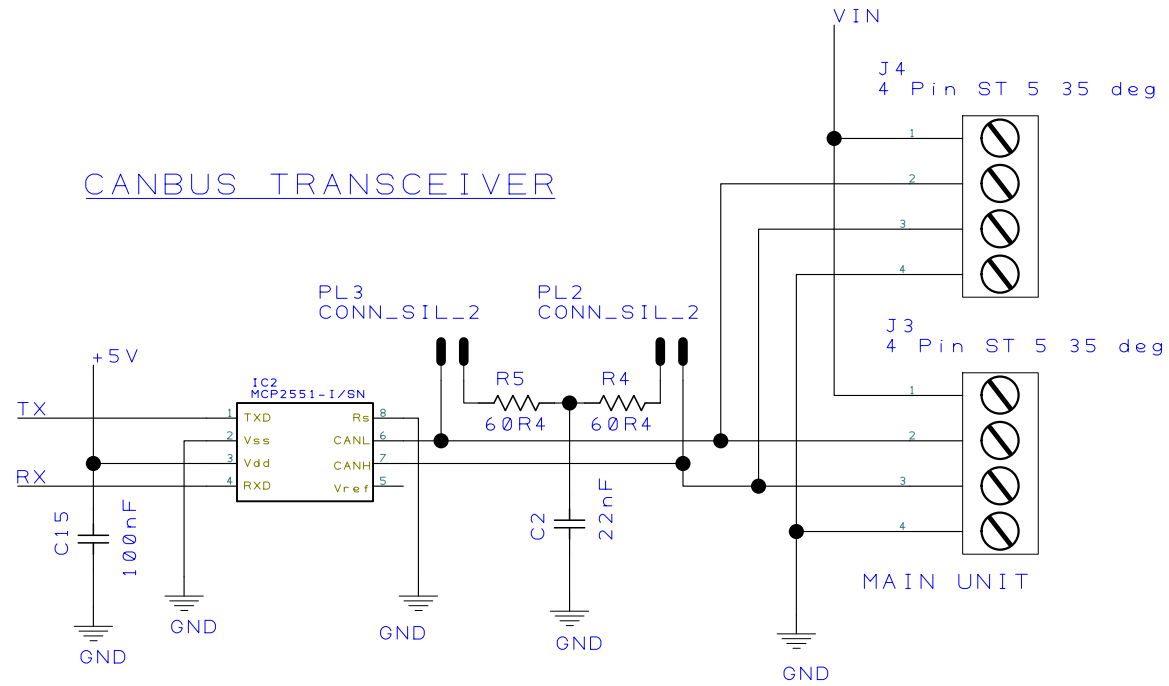


Rev -	Drawn D. L. G.	Check	Projection Do Not Scale		AGRIGEL	
Project Agrigel Precision Flow			Client AGRIGEL			
Title DIAGNOSTIC BOARD			Filename		Drawing No.	Sheet of

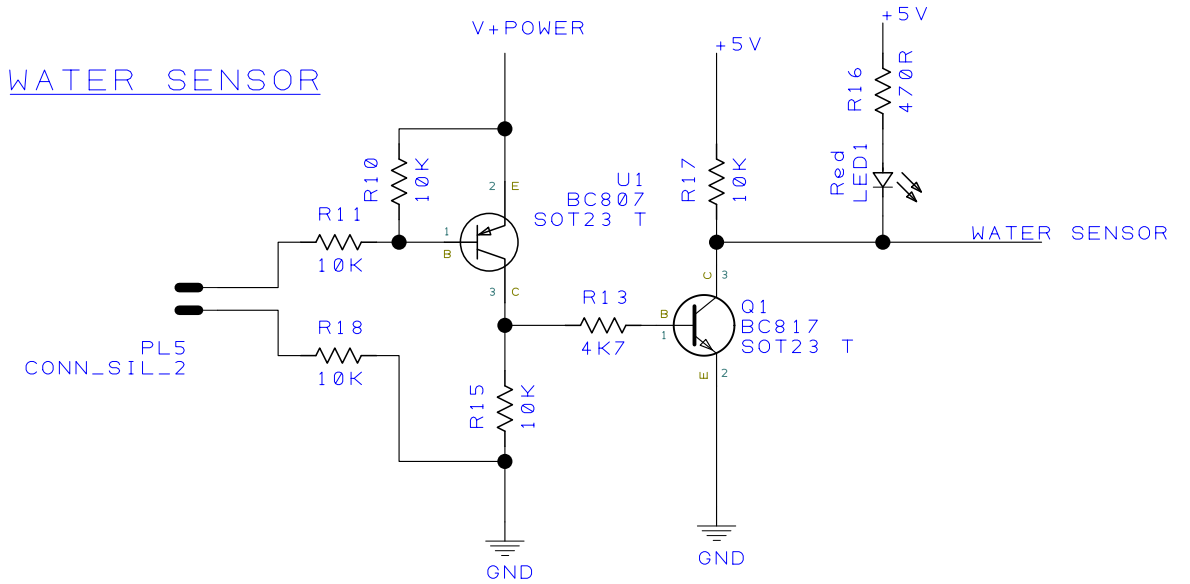


Rev -	Drawn D. L. G.	Check	Projection Do Not Scale		AGRIGEL	
Project	Agrigel Precision Flow		Client			
Title	DIAGNOSTIC BOARD		Filename	Drawing No.	Sheet of	

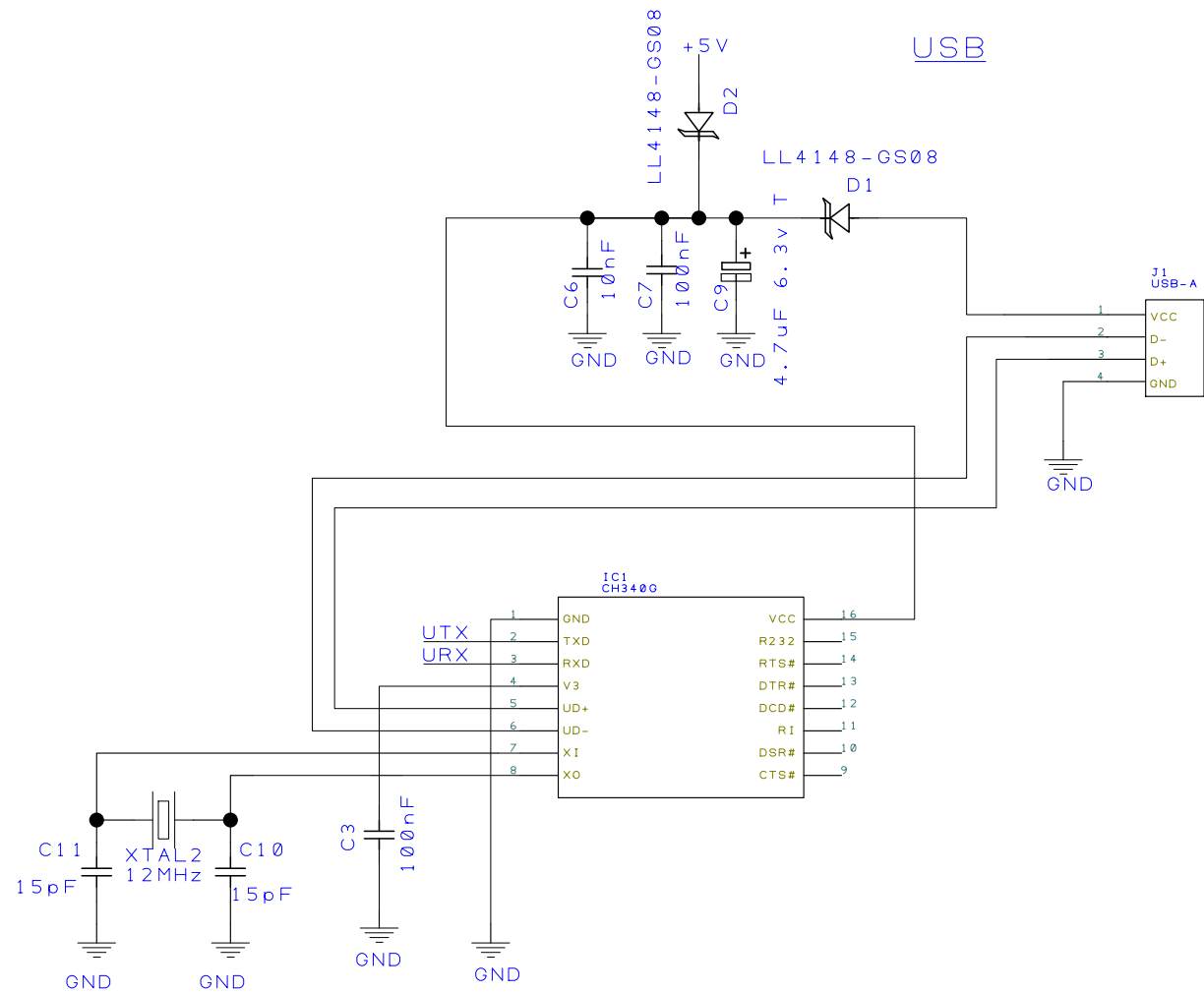
CANBUS TRANSCEIVER



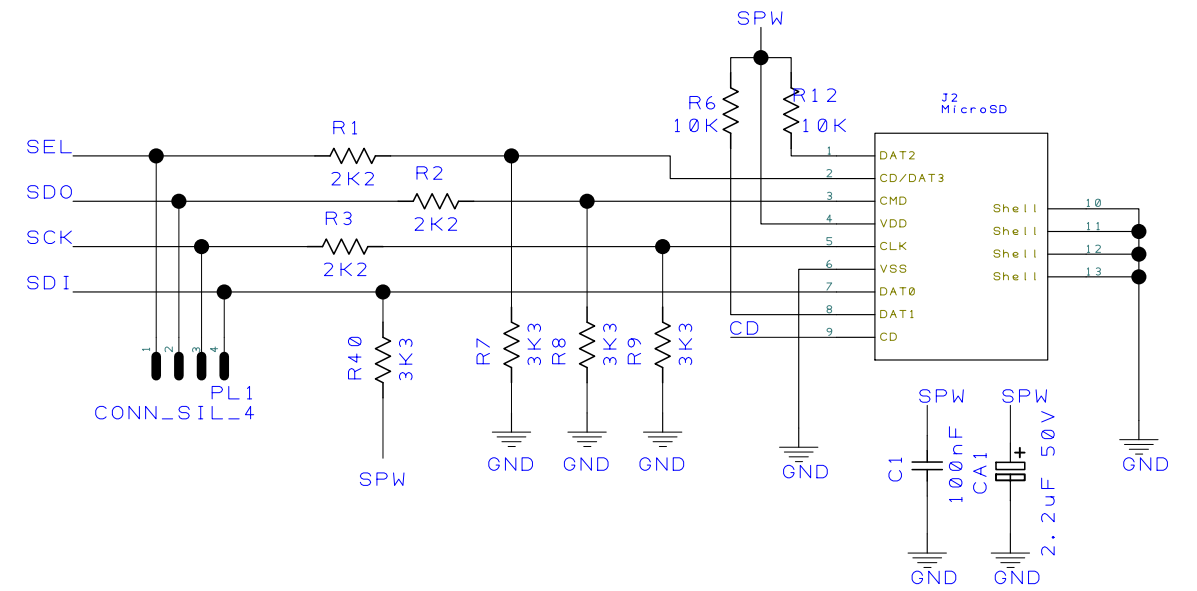
WATER SENSOR


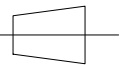


USB



MICRO SD CARD READER



Rev - 0401	Drawn D. L. G.	Check	Projection Do Not Scale	 	<h1>AGRIGEL</h1>	
Project Agrigel Precision Flow			Client AGRIGEL			
Title DIAGNOSTIC BOARD			Filename		Drawing No.	Sheet of