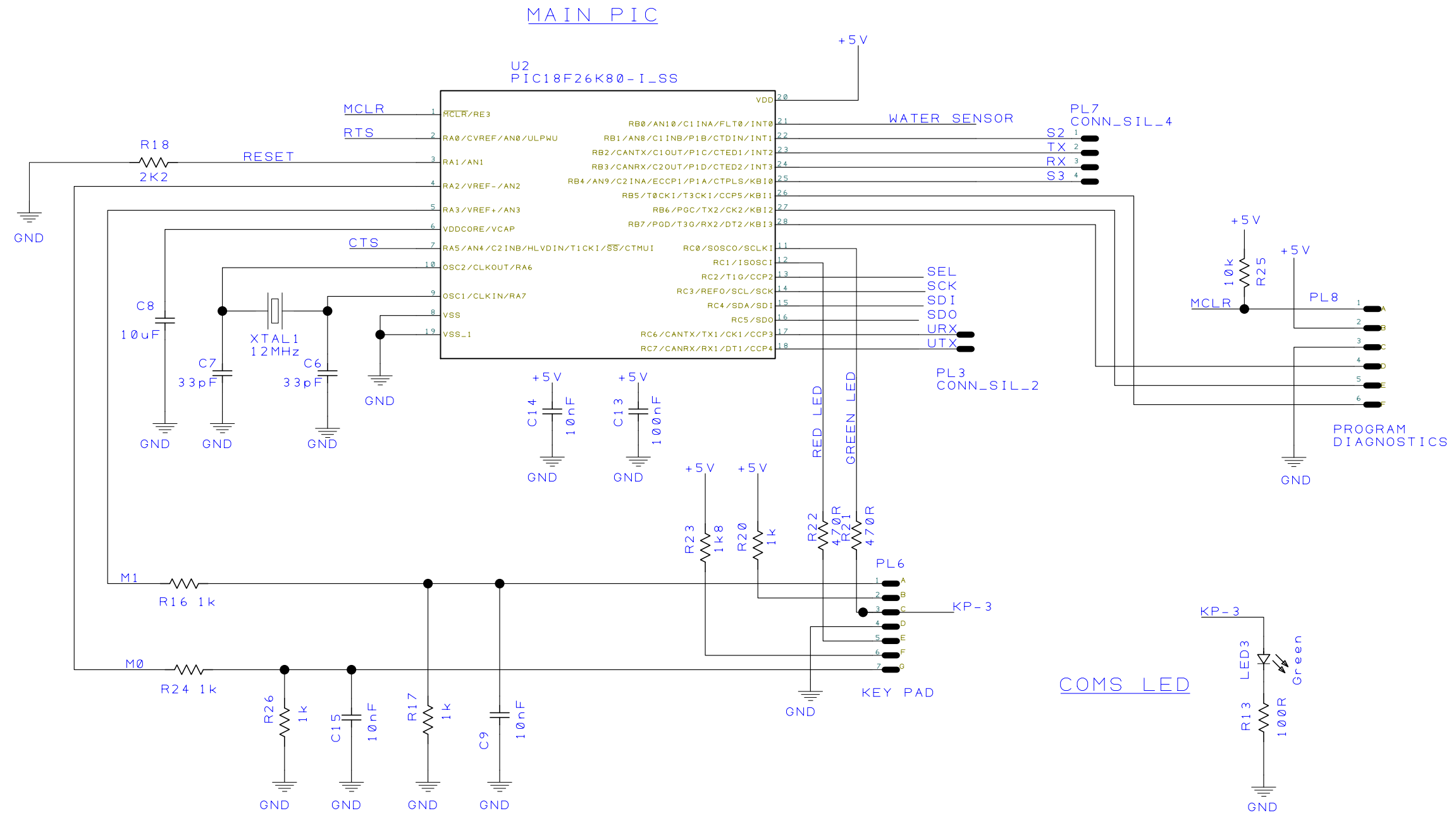
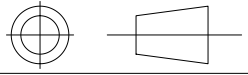


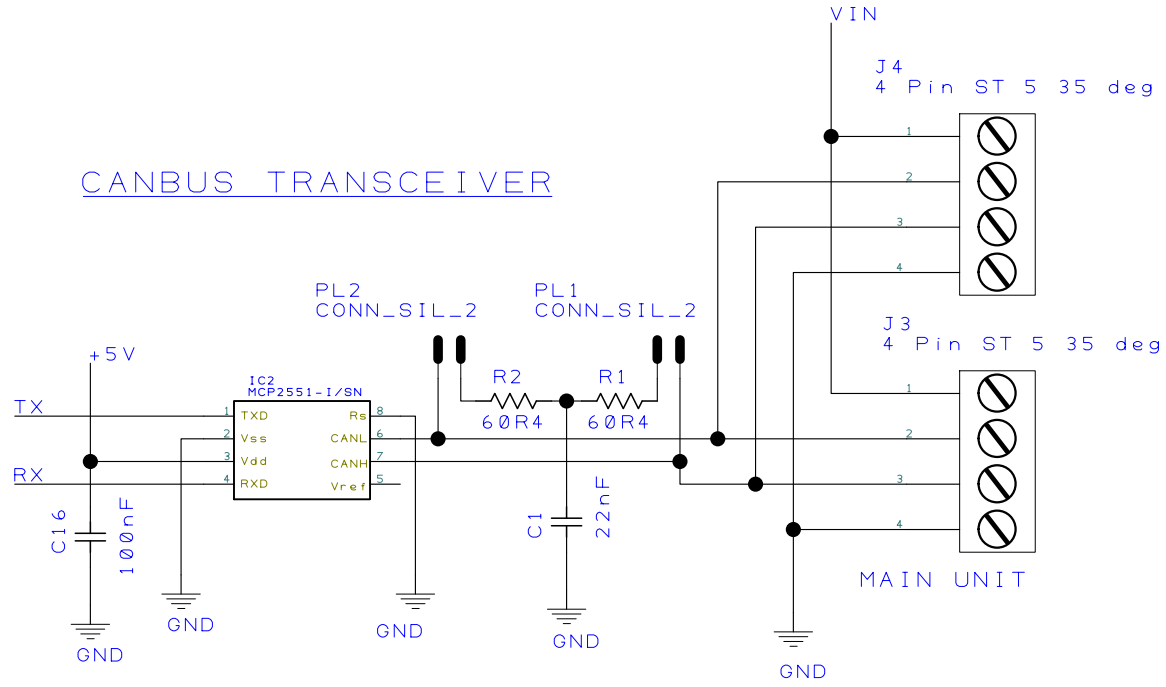
VOLTAGE REGULATION

Rev -	Drawn D. L. G.	Check	Projection Do Not Scale		AGRIGEL
Project Agrigel Precision Flow			Client AGRIGEL		
Title DIAGNOSTIC BOARD			Filename	Drawing No.	Sheet of

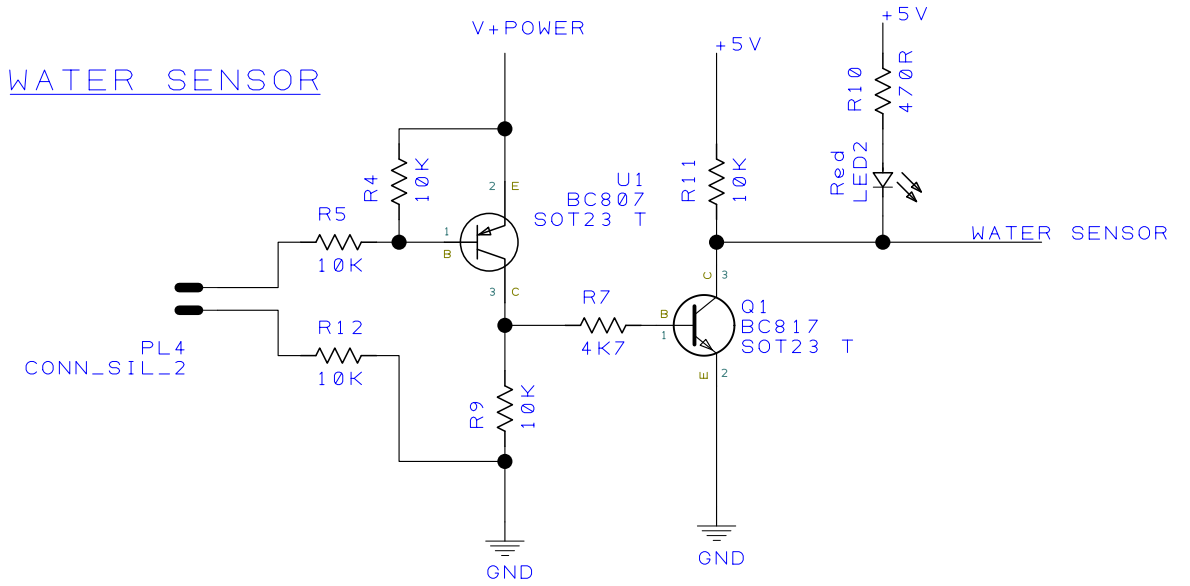


Rev -	Drawn D. L. G.	Check	Projection Do Not Scale			<h1 style="text-align: center;">AGRIGEL</h1>	
Project Agrigel Precision Flow			Client AGRIGEL				
Title DIAGNOSTIC BOARD			Filename		Drawing No.		Sheet of

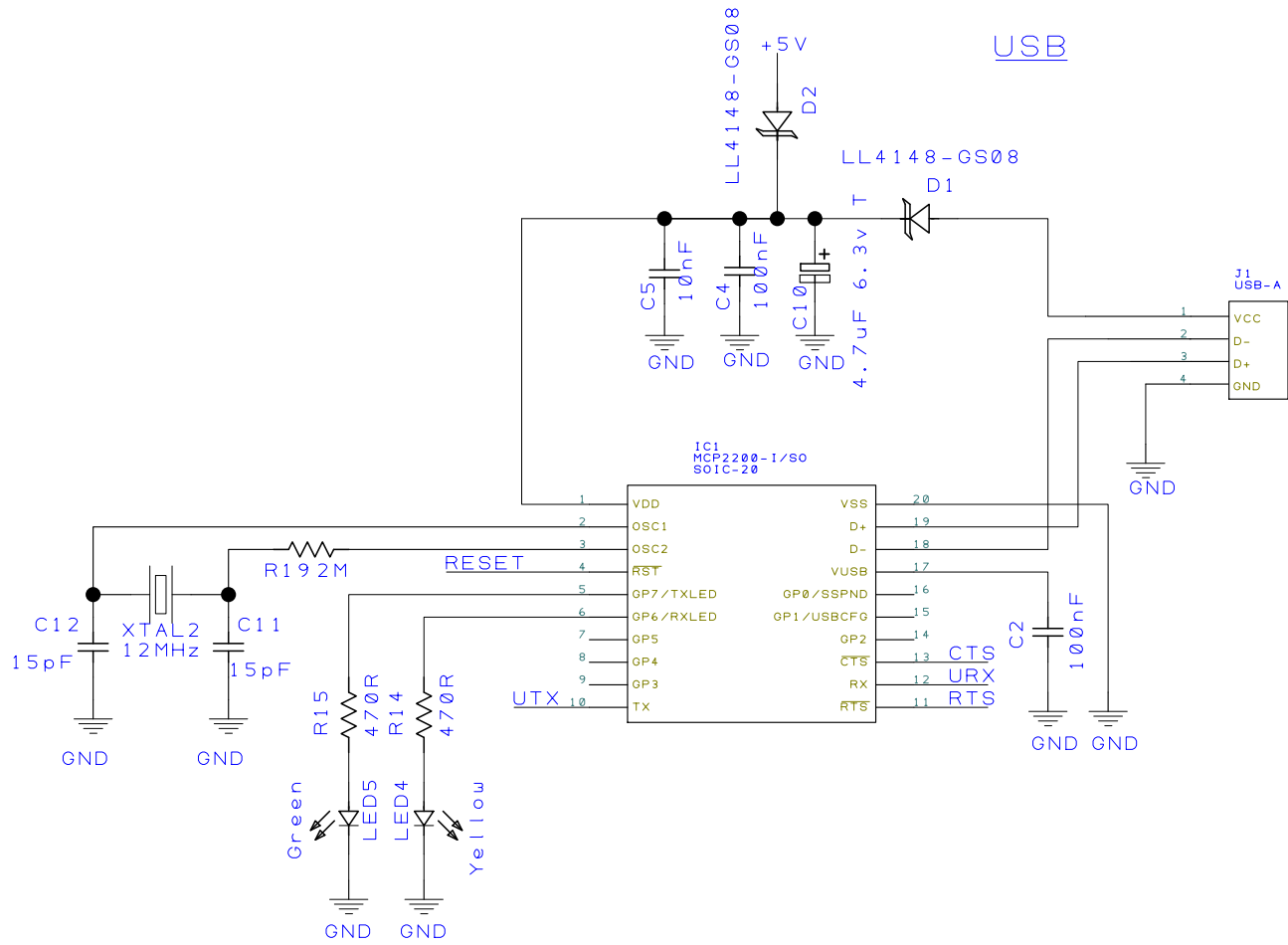
CANBUS TRANSCEIVER



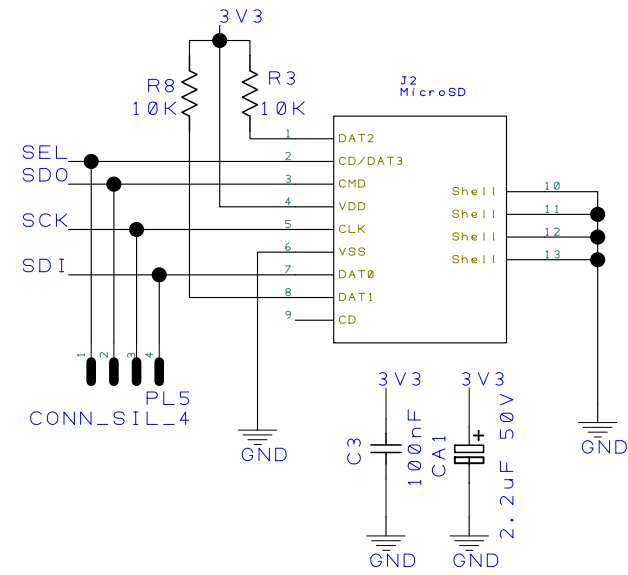
WATER SENSOR


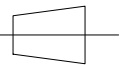


USB



MICRO SD CARD READER



Rev - 0401	Drawn D. L. G.	Check	Projection Do Not Scale	 	<h1>AGRIGEL</h1>	
Project Agrigel Precision Flow		Client AGRIGEL				
Title DIAGNOSTIC BOARD		Filename		Drawing No.	Sheet of	