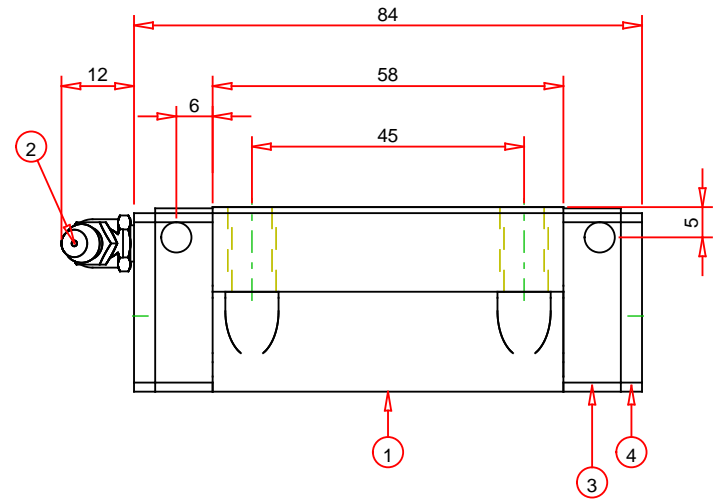
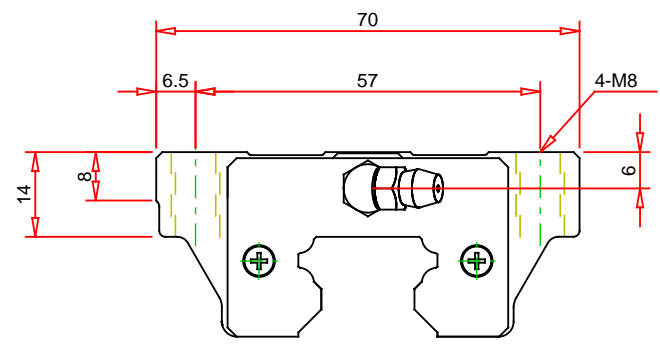


Series	HG Series
Block Type	Flange Type
Model Size	25
Load Type	Heavy Load
Block Mounting	Mounting from Top
Block	Standard Block
Preload Class	Light Preload (0 ~ 0.02C)
Precision Code	C
Dust Protection	Standard protection (End seal and bottom seal)



4	End Seal	2
3	End Cap	2
2	Grease Nipple	1
1	Block	1
No.	Part Name	Qty

Notes : - Drawing not to scale
 - Dimensions subject to change without notice

Part No. :
 HGW25CAZ0C

Description :
 HG Series - Interchangeable Type - Block



Hiwin Technologies Corp.

Taiwan:
 Address : No. 7, Jingke Road
 Taichung Precision Machinery Park
 Taichung 40852, Taiwan
 Tel. : +886-4-23594510
 Email : business@hiwin.tw
 Web : www.hiwin.tw

Hiwin Corp.

USA:
 Address : 12455 Jim Dhamer Dr
 Huntley, IL 60142
 Tel. : +1-847-827-2270
 Email : info@hiwin.com
 Web : www.hiwin.com