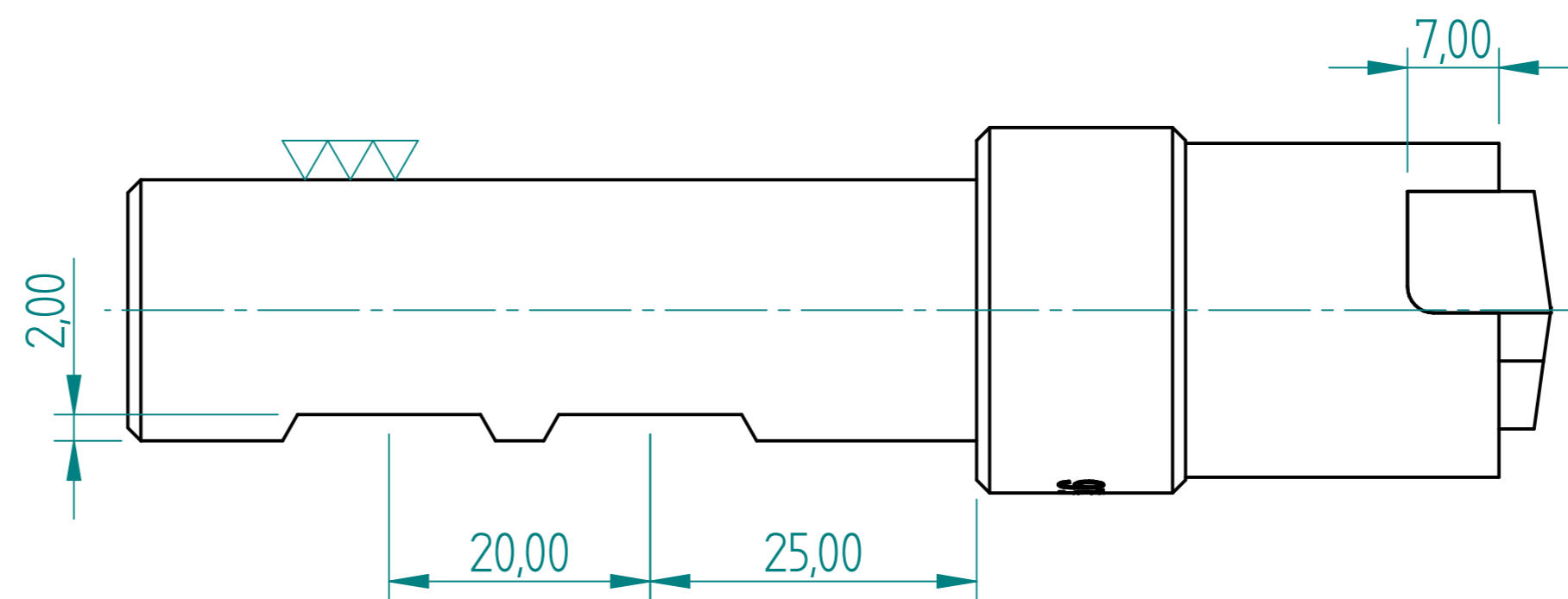
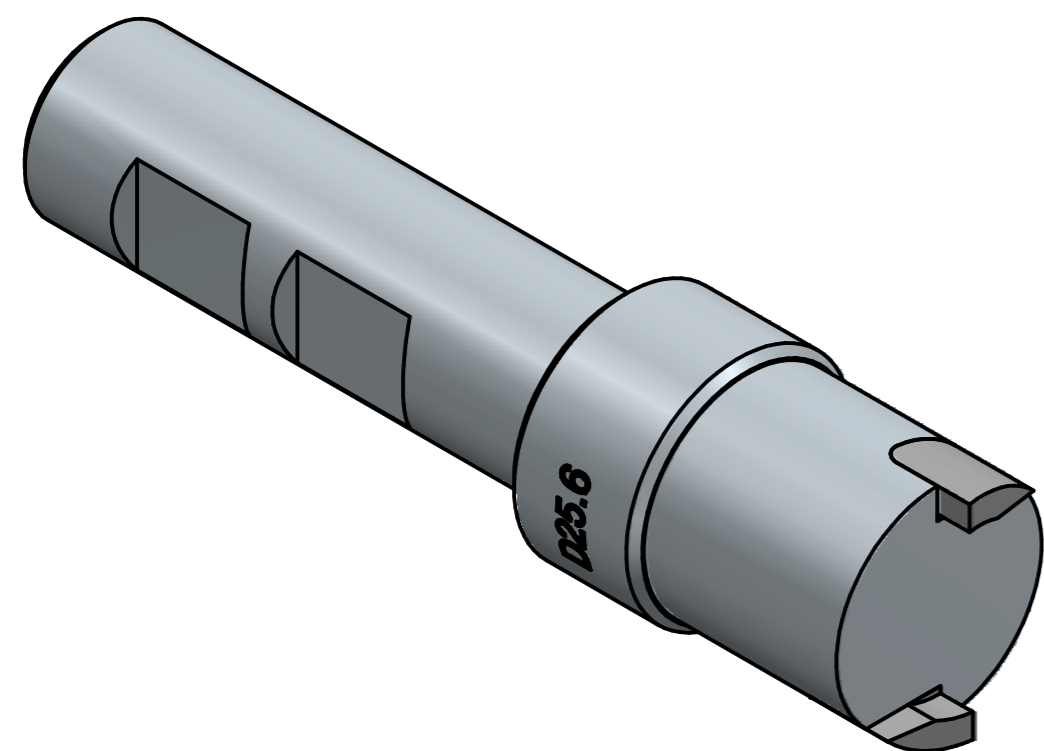
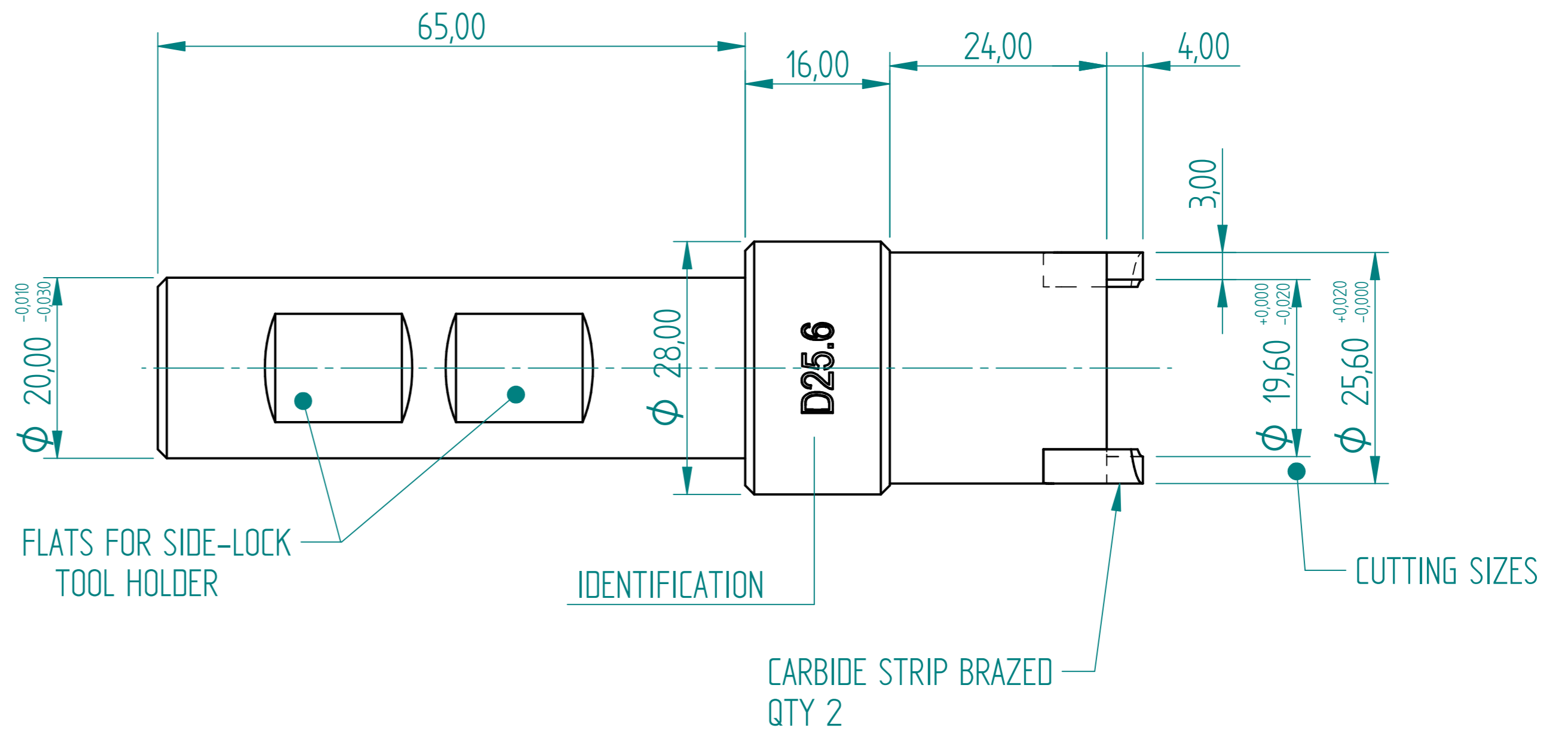
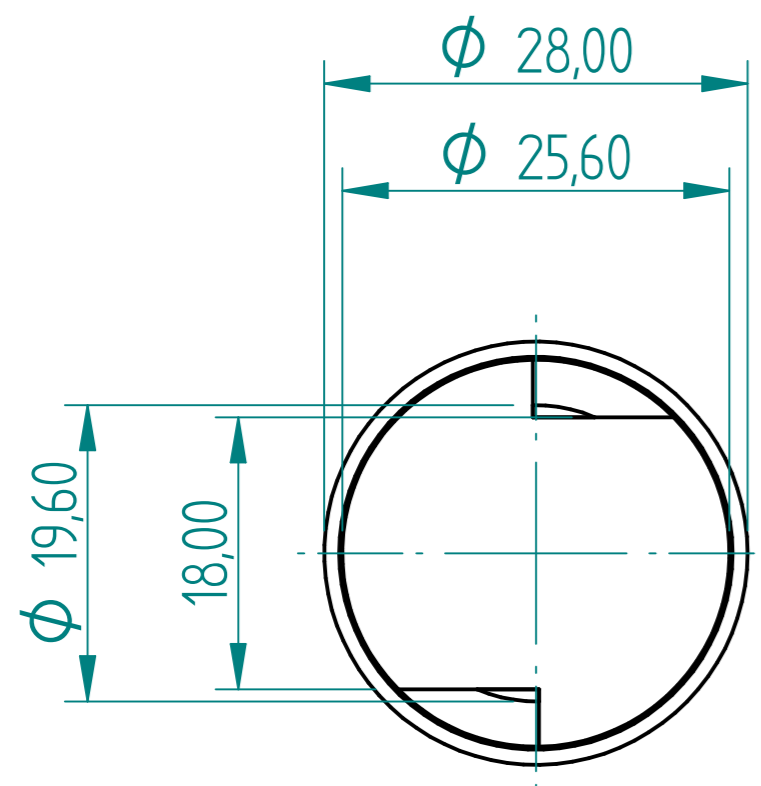


REVISION HISTORY			
REV	DESCRIPTION	DATE	APPROVED



25.6 O Ring Groove Bar
FOR MACHINING O-RING GROOVE
ON FLAT FACE IN CAST IRON

DRAWN	NAME	DATE	PREMAC	
APPROVED	Dan	09/04/23		
MATERIAL			TITLE	
TREATMENT			D25.6 O Ring Groove Bar	
UNLESS OTHERWISE SPECIFIED DIMENSIONS ARE IN MILLIMETERS			SIZE	DWG NO
ANGLES $\pm 0,1^\circ$			A4	REV
1st ANGLE 2 PL $\pm 0,02$ 3 PL $\pm 0,005$			FILE NAME: 25.6 O Ring Bar.dft	
			SCALE:	WEIGHT:
			SHEET 1 OF 1	