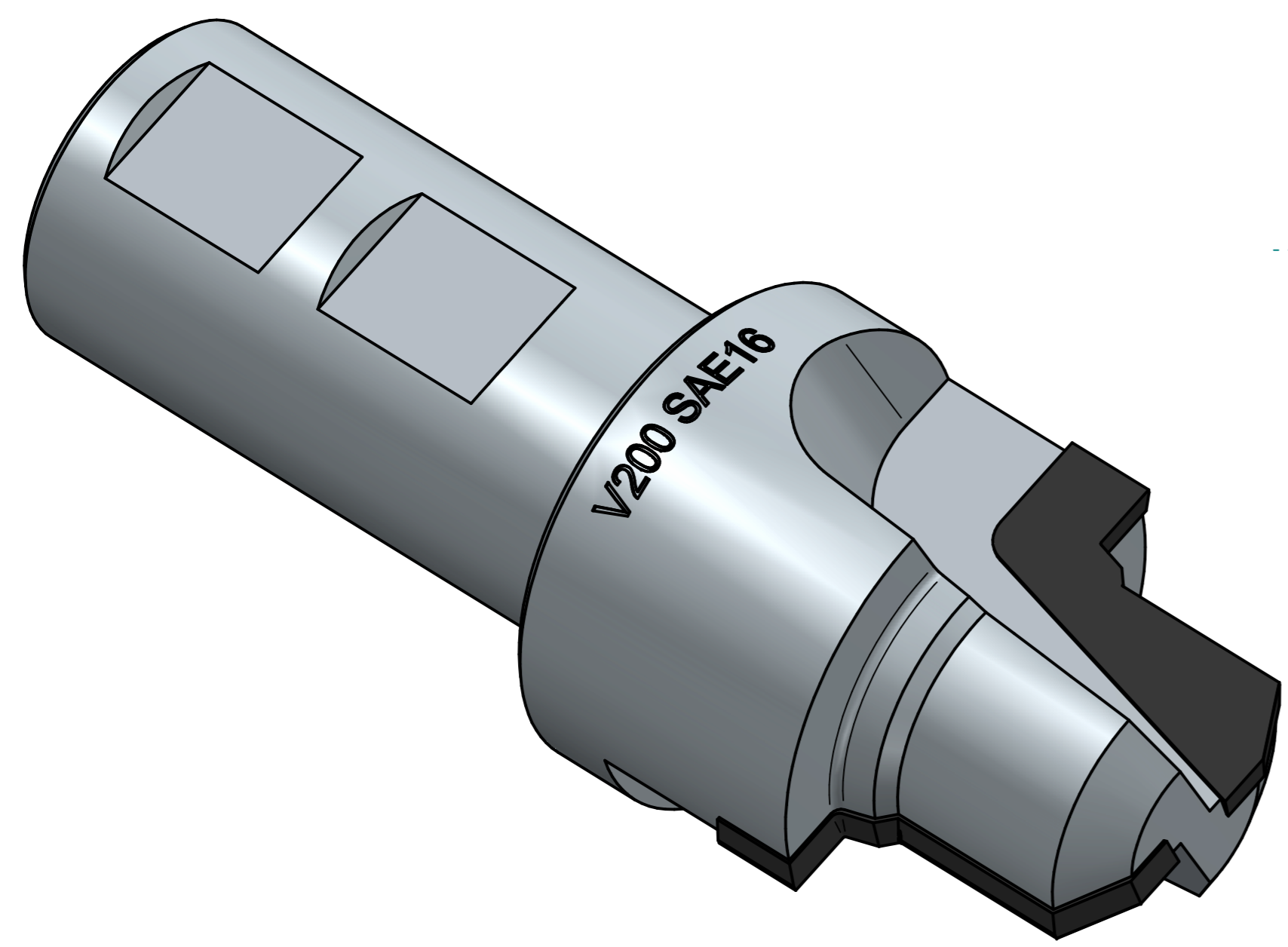
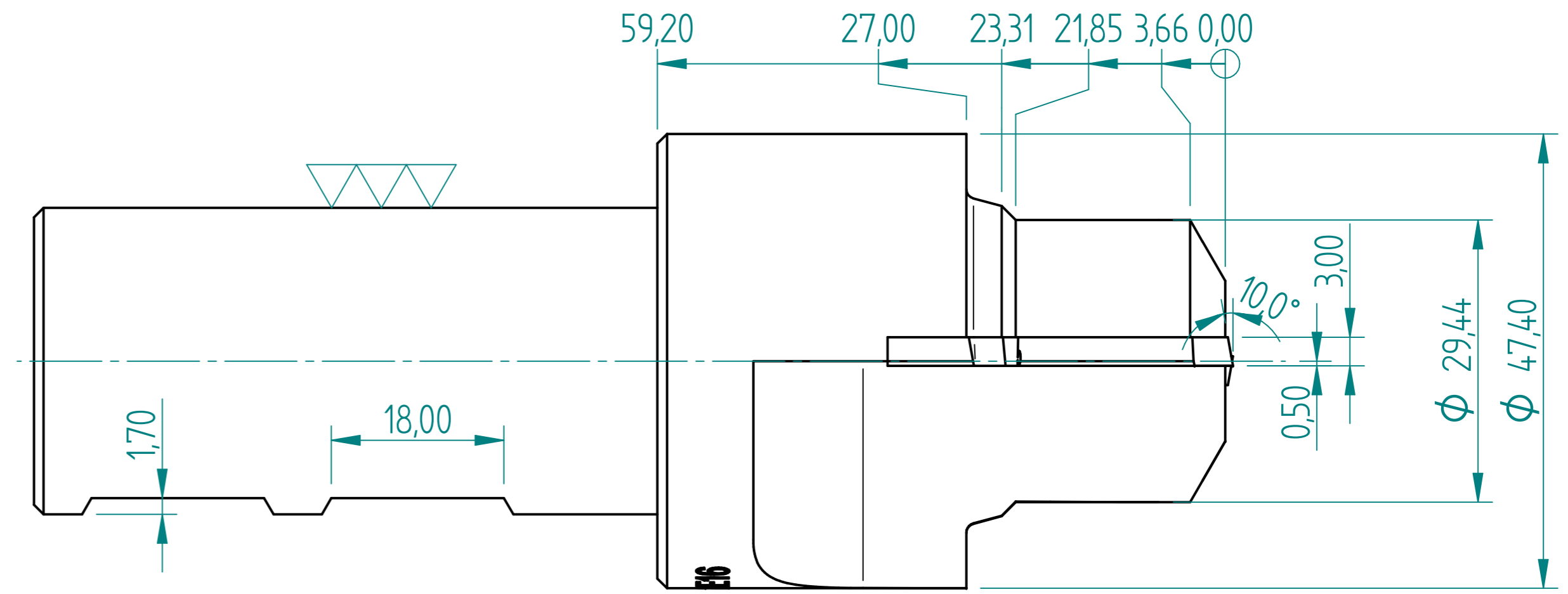
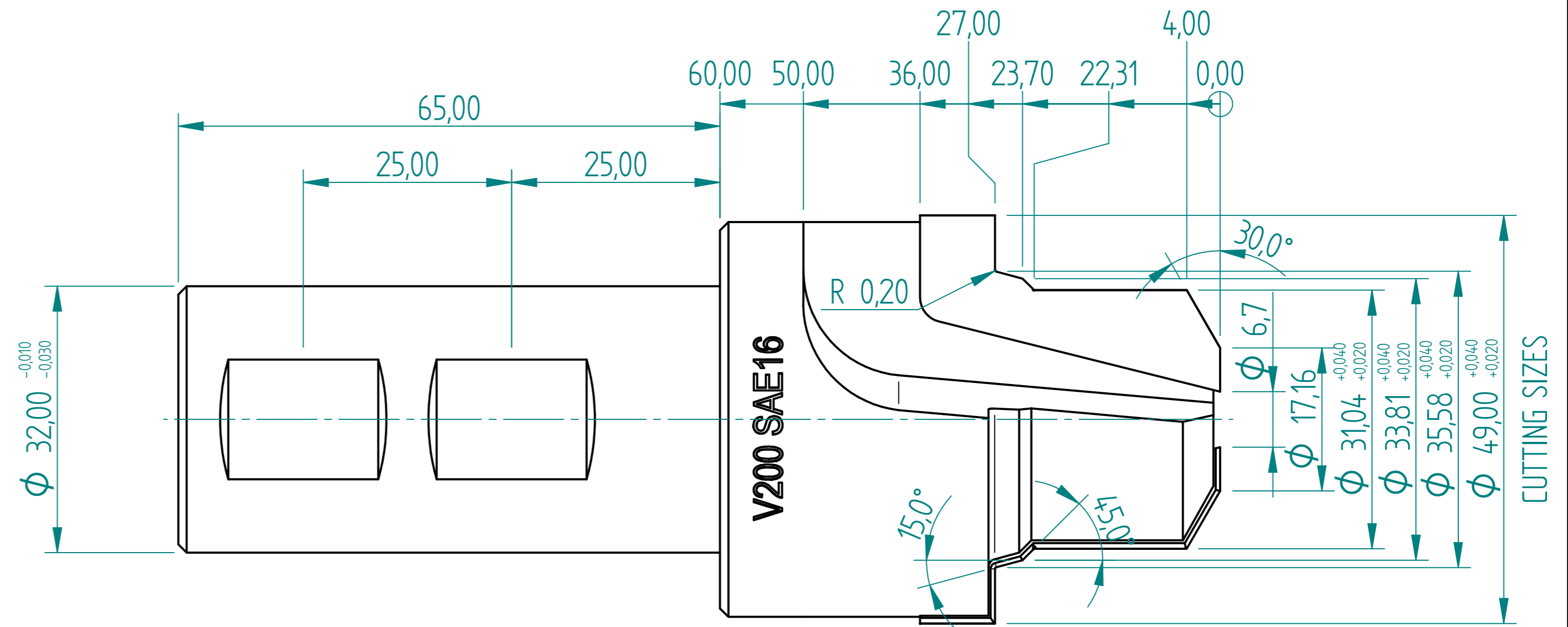
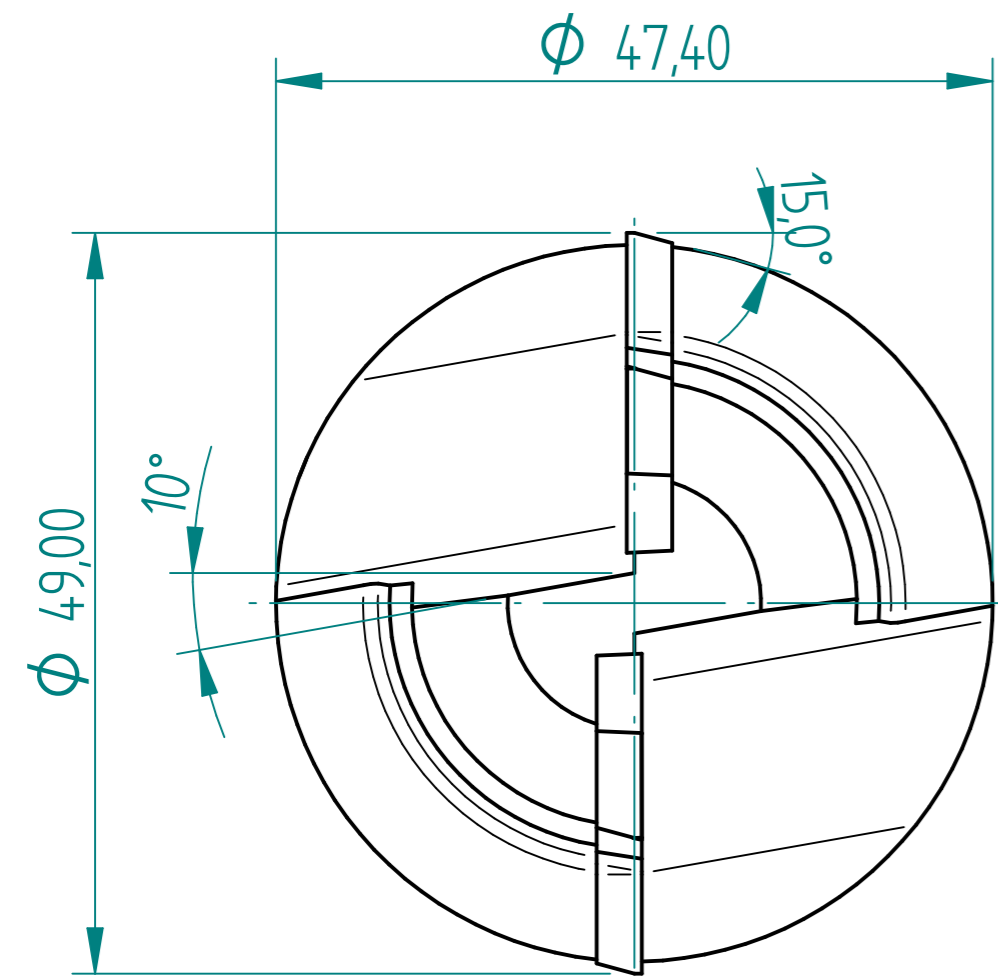


REVISION HISTORY			
REV	DESCRIPTION	DATE	APPROVED



V200 SAE 16 Bar

DRAWN	OG	DATE	10/31/17	PREMAC	
APPROVED					
MATERIAL				TITLE	
TREATMENT				V200 SAE 16 Bar	
UNLESS OTHERWISE SPECIFIED DIMENSIONS ARE IN MILLIMETERS				SIZE	DWG NO
ANGLES $\pm 0,1^\circ$				A4	V200 SAE16 B
1 ST ANGLE				FILE NAME:	REV
2 PL $\pm 0,02$ 3 PL $\pm 0,005$				SAE 16 Bar.dft	
SCALE:		WEIGHT:		SHEET 1 OF 3	