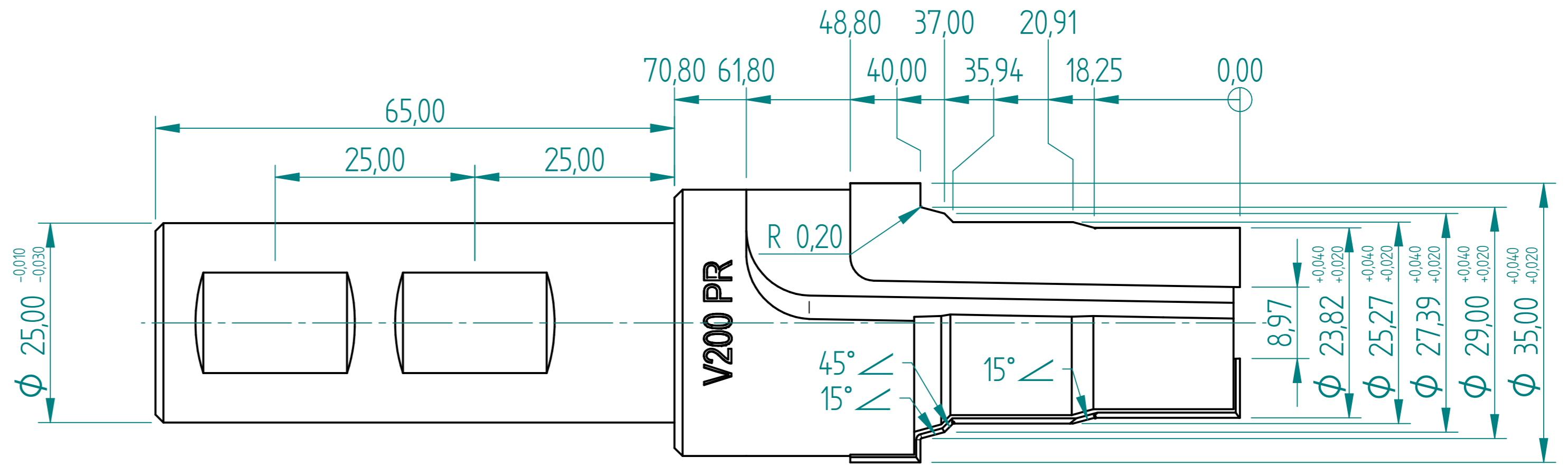
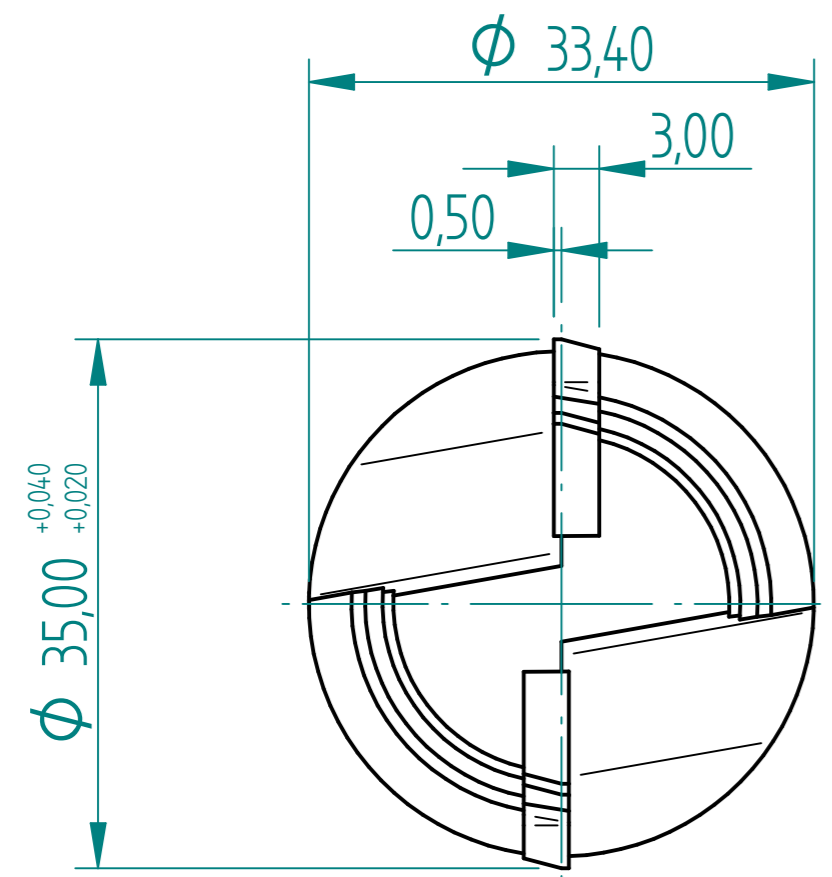
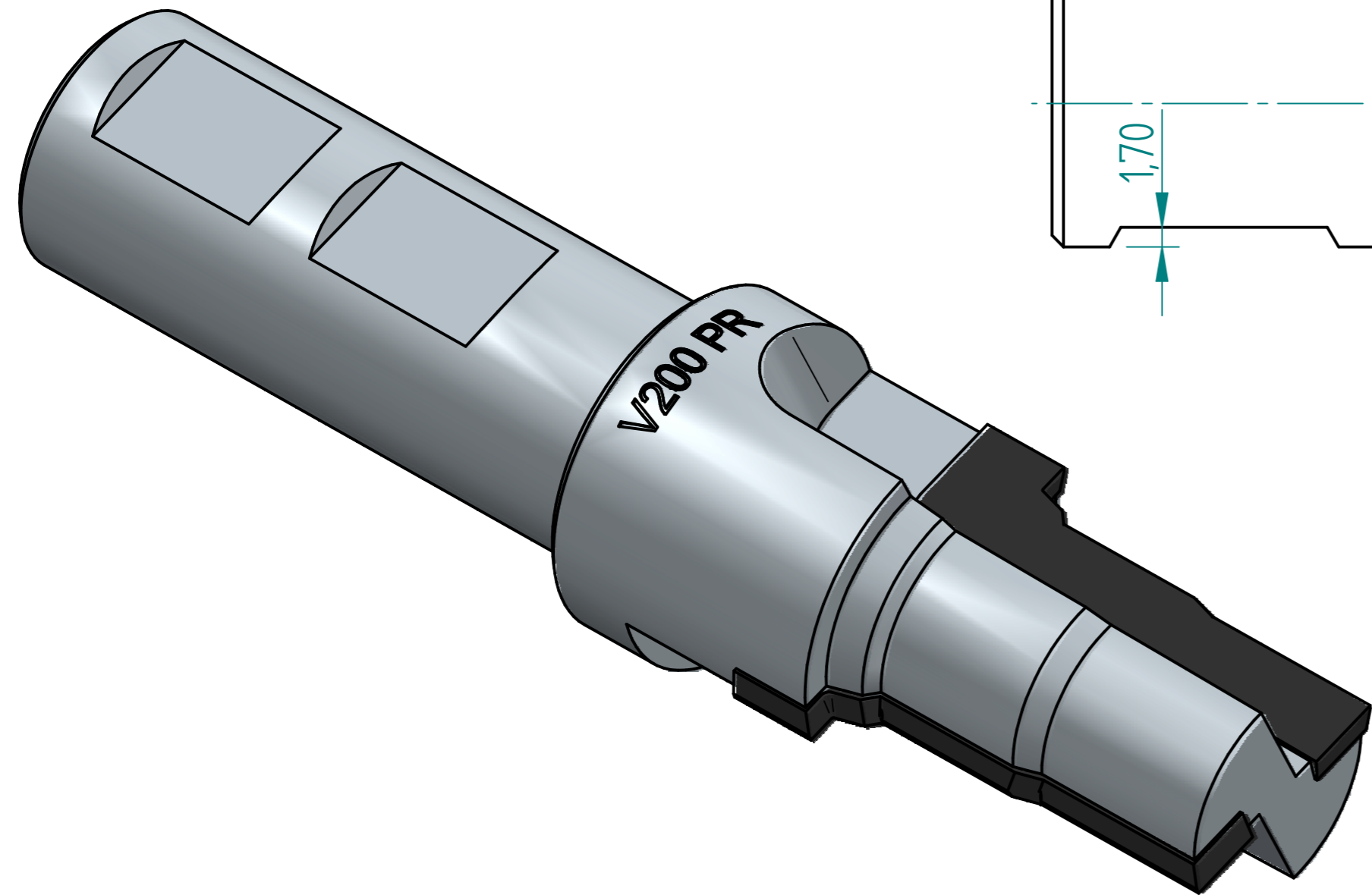
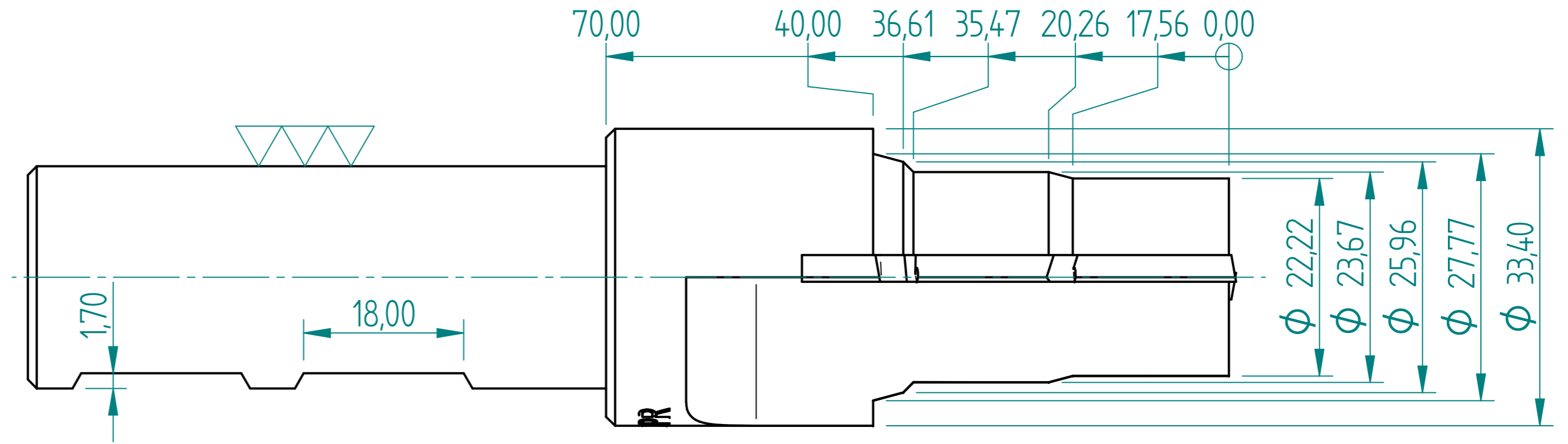


REVISION HISTORY			
REV	DESCRIPTION	DATE	APPROVED



CUTTING SIZES



V200 PORT RELIEF BAR

DRAWN	OG	DATE	10/31/17	PREMAC			
APPROVED							
MATERIAL						TITLE	V200 Port Relief Bar
TREATMENT						SIZE	A4
UNLESS OTHERWISE SPECIFIED DIMENSIONS ARE IN MILLIMETERS ANGLES $\pm 0,1^\circ$				DWG NO	V200 PR BAR	REV	
1st ANGLE 2 PL $\pm 0,02$ 3 PL $\pm 0,005$				FILE NAME	Port Relief Bar.dft	SCALE	
				WEIGHT		SHEET 1 OF 3	