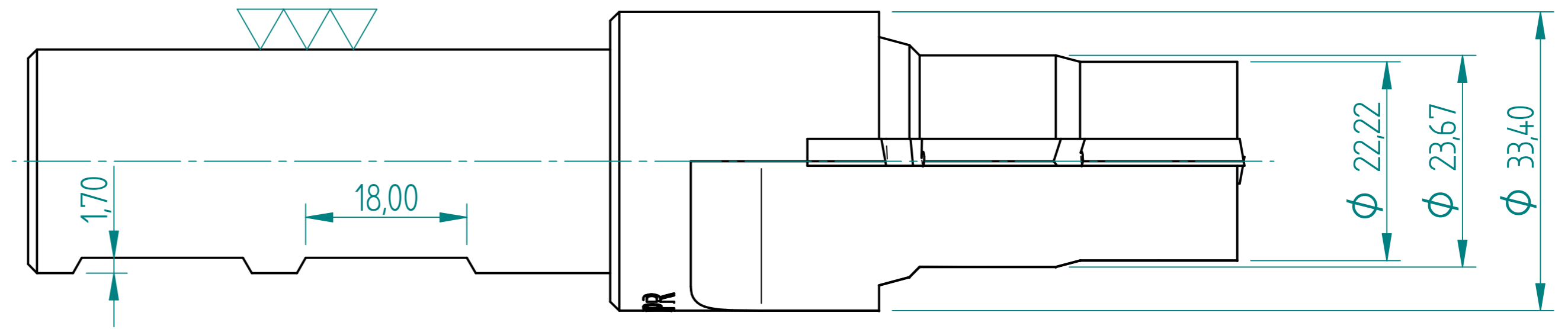
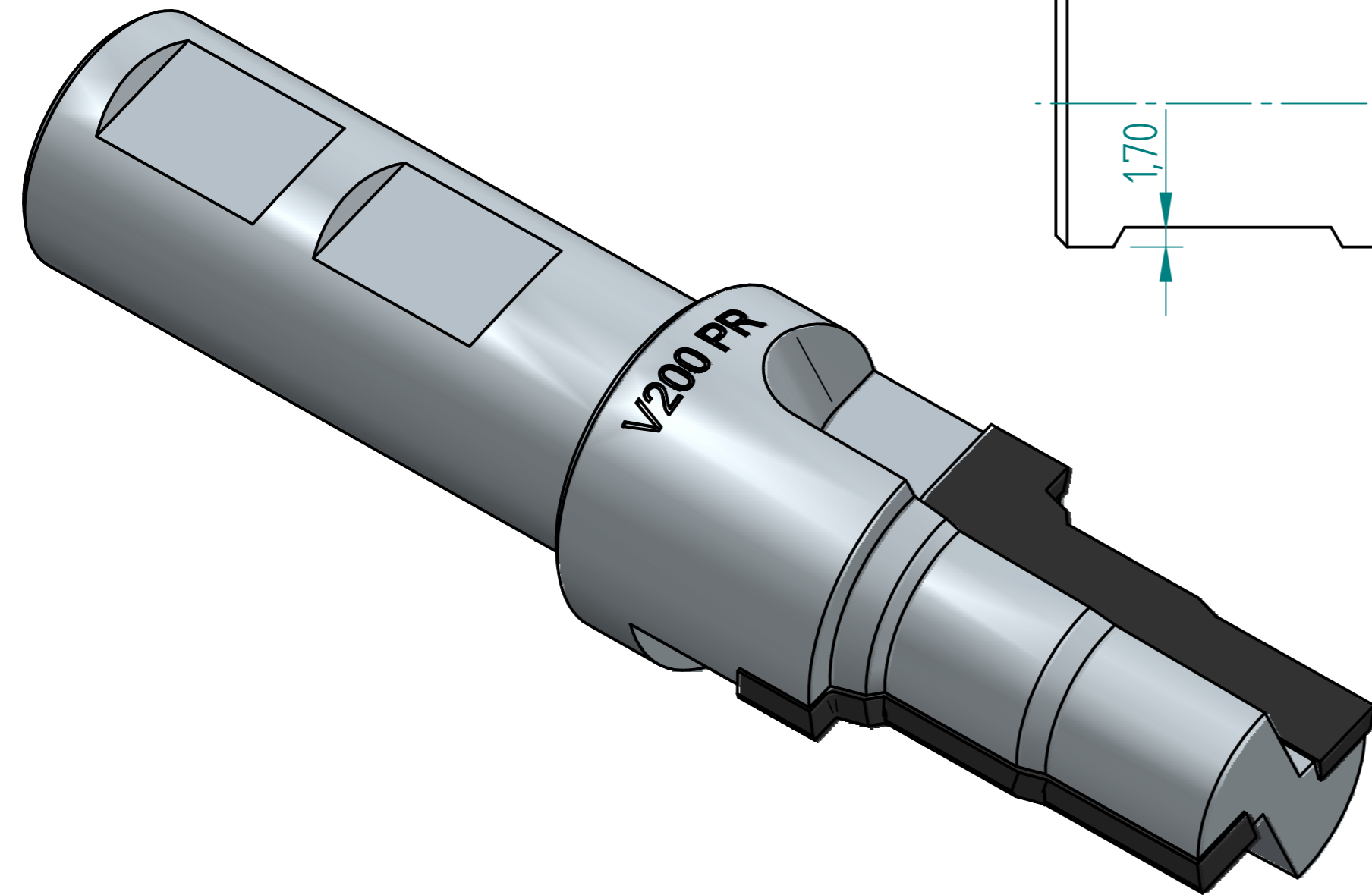
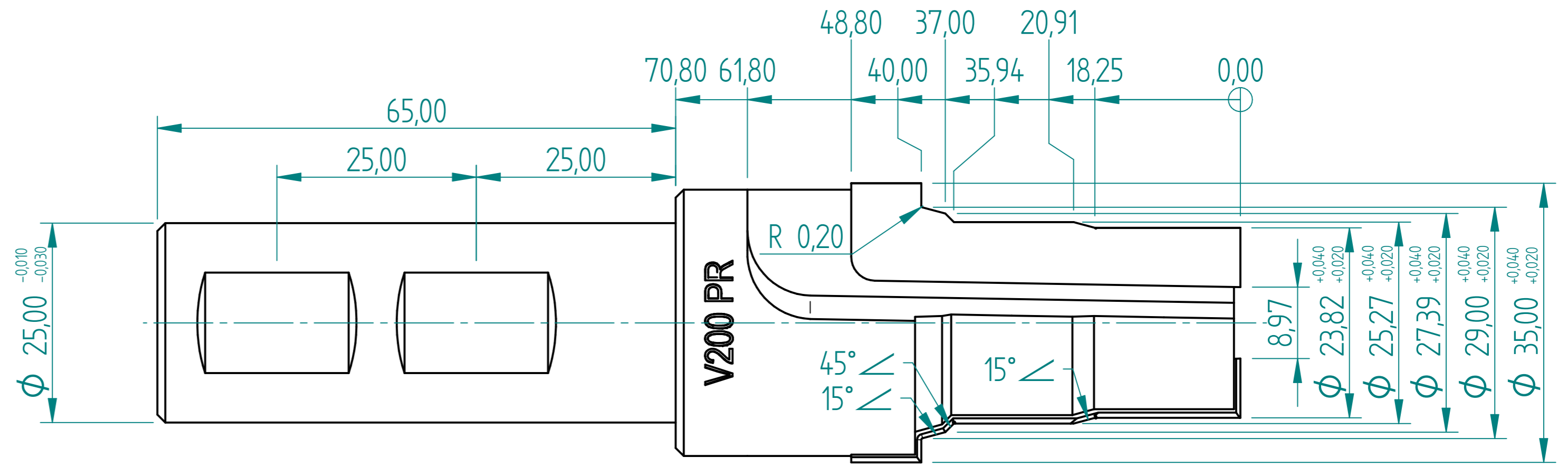
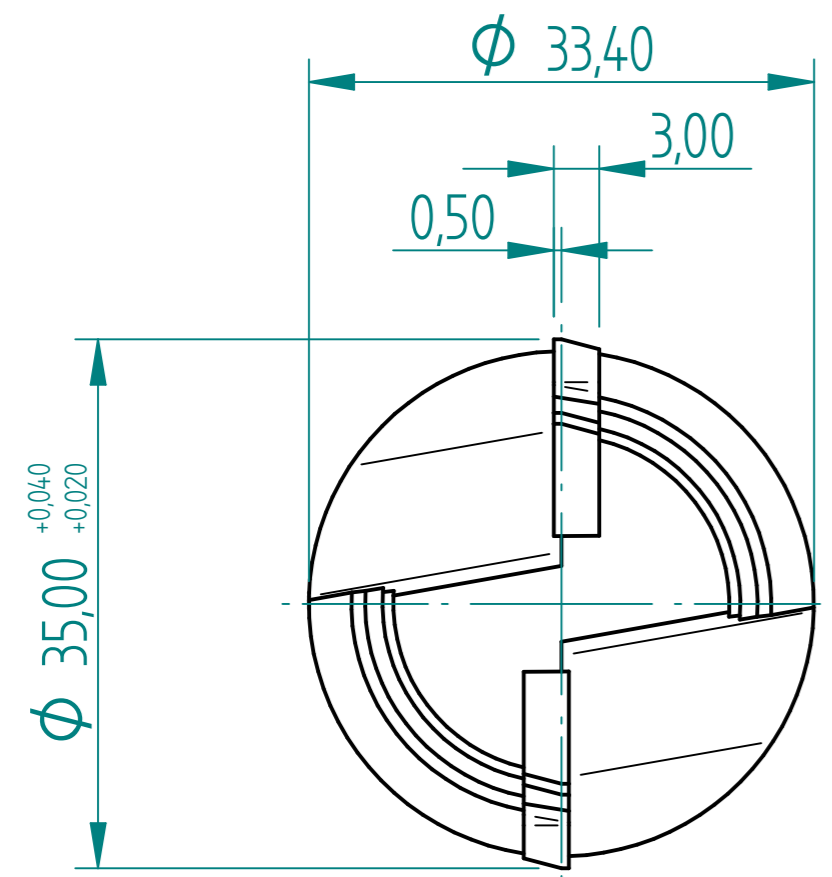


REVISION HISTORY			
REV	DESCRIPTION	DATE	APPROVED



V200 PORT RELIEF BAR

	NAME	DATE	PREMAC		
DRAWN	DG	10/31/17			
APPROVED					
MATERIAL					
TREATMENT			TITLE		
UNLESS OTHERWISE SPECIFIED DIMENSIONS ARE IN MILLIMETERS ANGLES $\pm 0,1^\circ$			SIZE A4	DWG NO V200 PR BAR	REV
1 ST ANGLE			FILE NAME: Port Relief Bar.dft		
2 PL $\pm 0,02$ 3 PL $\pm 0,005$			SCALE:	WEIGHT:	SHEET 1 OF 3