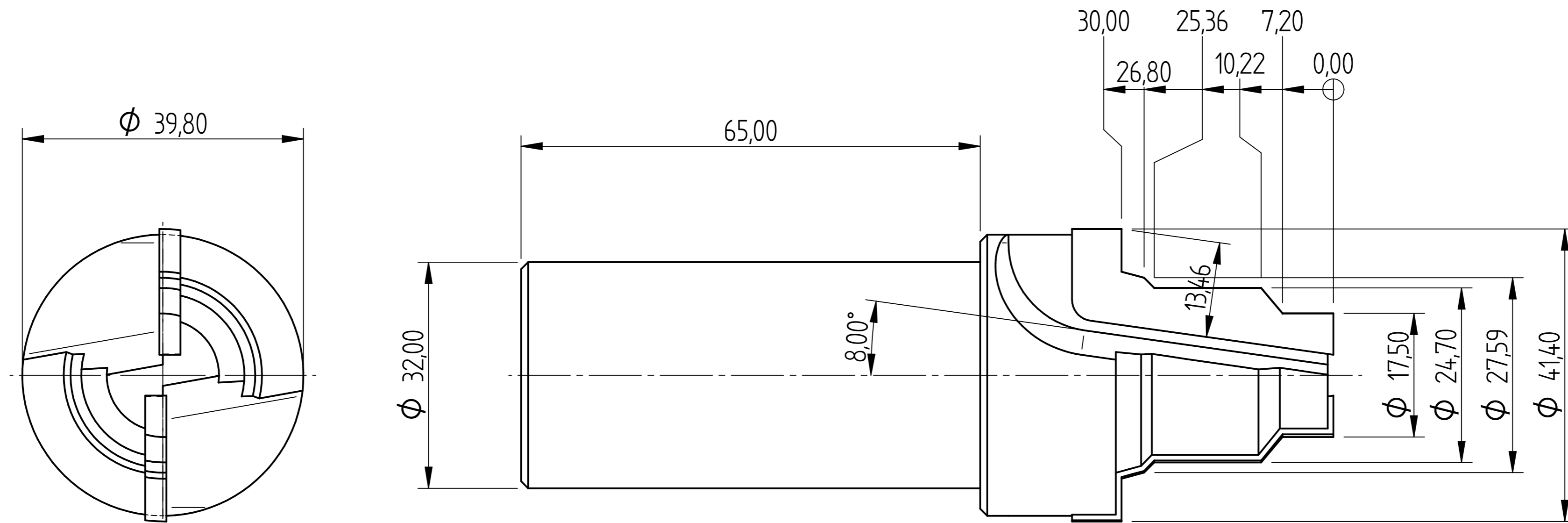


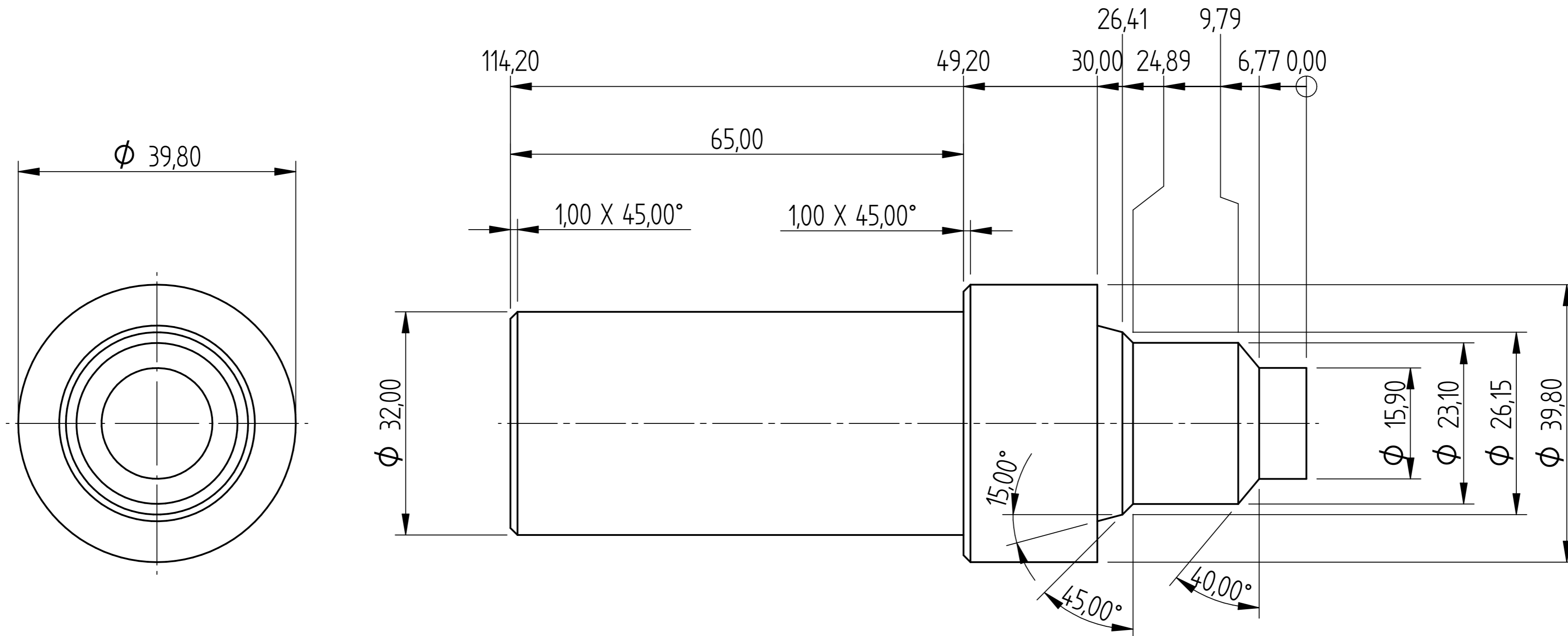
REVISION HISTORY			
REV	DESCRIPTION	DATE	APPROVED



V200 LOAD HOLDING CHECK BAR

	NAME	DATE	PREMAC		
DRAWN	DG	01/29/14			
APPROVED			TITLE V200 Load Holding Check Bar		
MATERIAL					
TREATMENT			SIZE A4	DWG NO V200 LHCB	REV
UNLESS OTHERWISE SPECIFIED DIMENSIONS ARE IN MILLIMETERS ANGLES ±0.1°			FILE NAME: Load Holding Check Bar.dft		
1st ANGLE 2 PL ±0.02 3 PL ±0.005			SCALE:	WEIGHT:	SHEET 1 OF 3

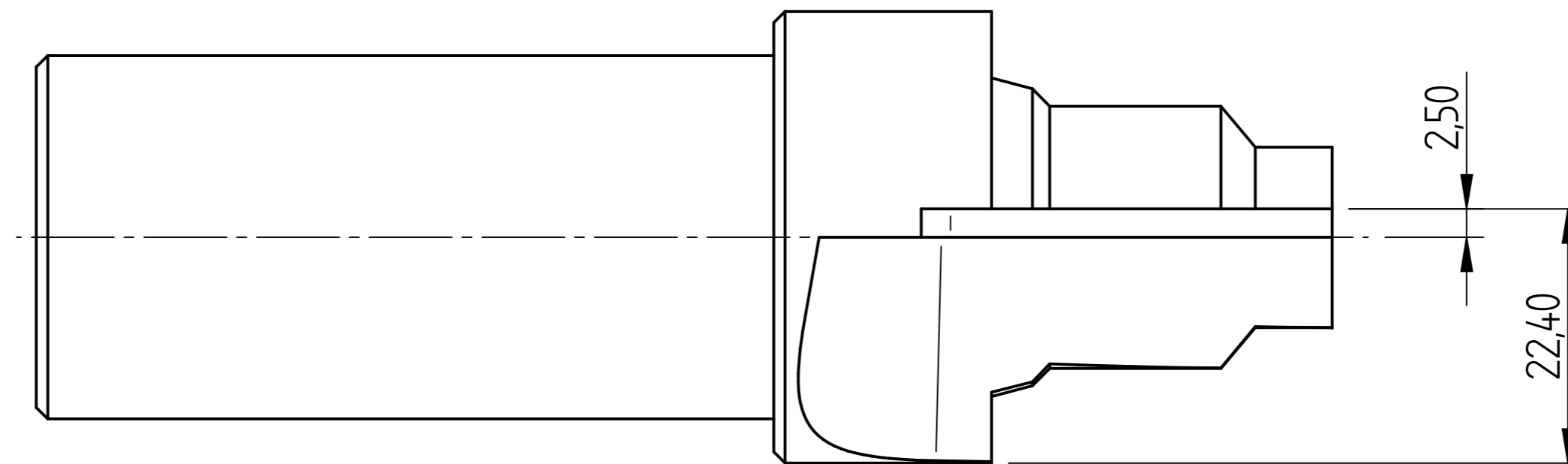
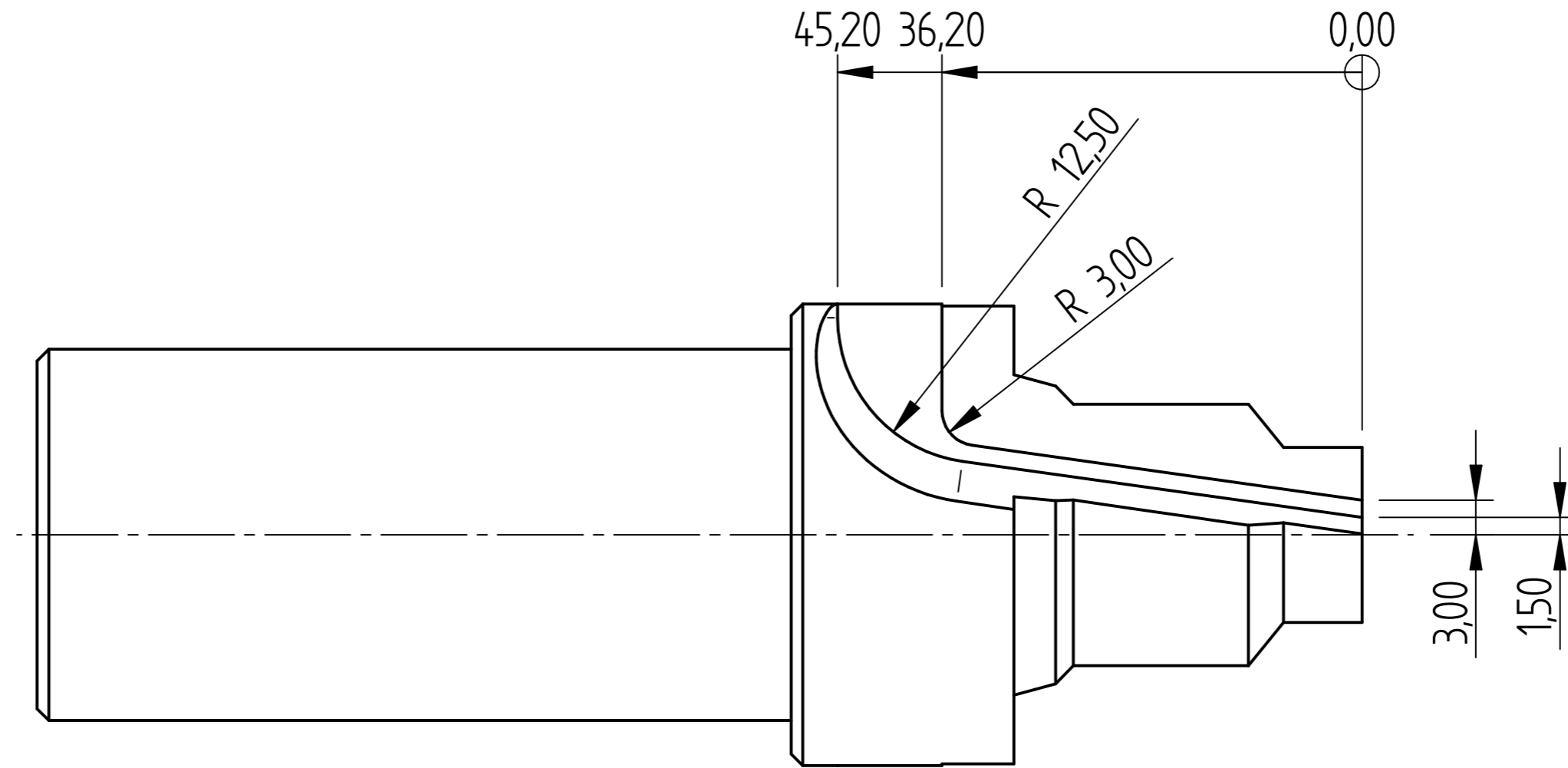
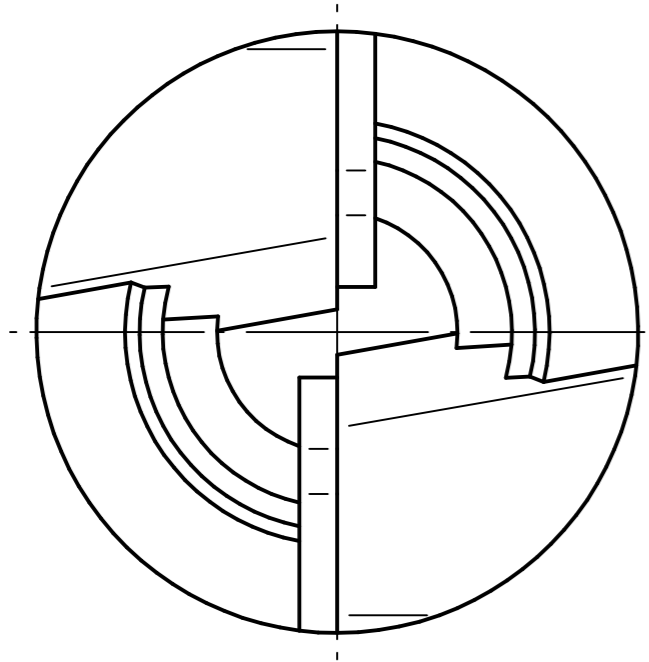
REVISION HISTORY			
REV	DESCRIPTION	DATE	APPROVED



V200 LOAD HOLDING CHECK BAR TURN

	NAME	DATE	PREMAC	
DRAWN	DG	01/29/14		
APPROVED				
MATERIAL				
TREATMENT			TITLE V200 Load Holding Check Bar	
UNLESS OTHERWISE SPECIFIED DIMENSIONS ARE IN MILLIMETERS			SIZE A4	DWG NO V200 LHCB
1st ANGLE ANGLES ±0.1°			FILE NAME: Load Holding Check Bar.dft	REV
2 PL ±0.02 3 PL ±0.005			SCALE:	WEIGHT:
			SHEET 2 OF 3	

REVISION HISTORY			
REV	DESCRIPTION	DATE	APPROVED



V200 LOAD HOLDING CHECK BAR MILL

	NAME	DATE	PREMAC		
DRAWN	DG	01/29/14			
APPROVED			TITLE V200 Load Holding Check Bar		
MATERIAL					
TREATMENT			SIZE A4	DWG NO V200 LHCB	REV
UNLESS OTHERWISE SPECIFIED DIMENSIONS ARE IN MILLIMETERS			FILE NAME: Load Holding Check Bar.dft		
1 ST ANGLE ANGLES ±0.1°			SCALE:	WEIGHT:	SHEET 3 OF 3
2 PL ±0.02 3 PL ±0.005					