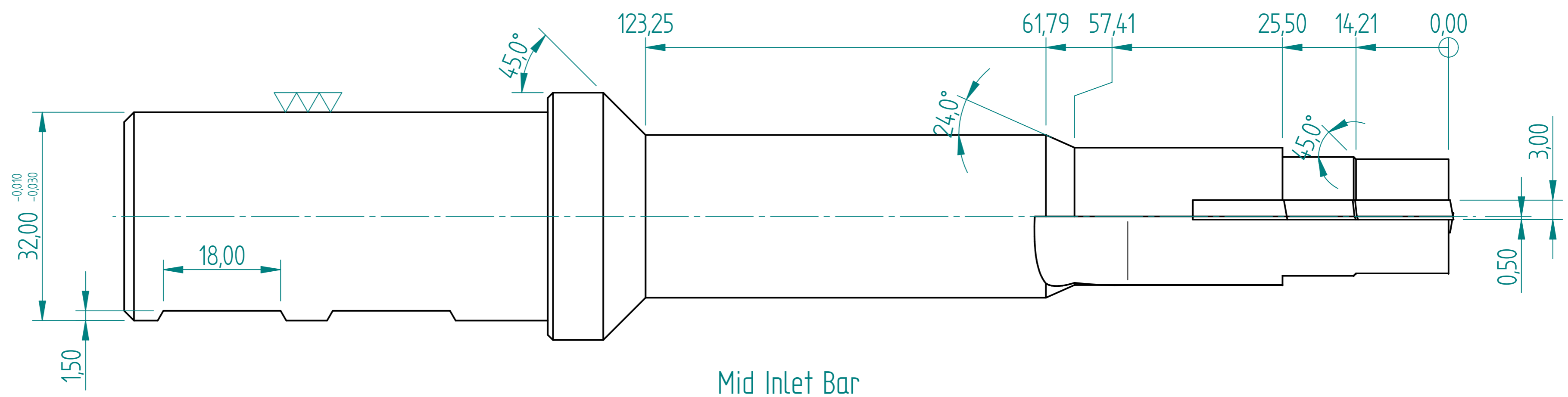
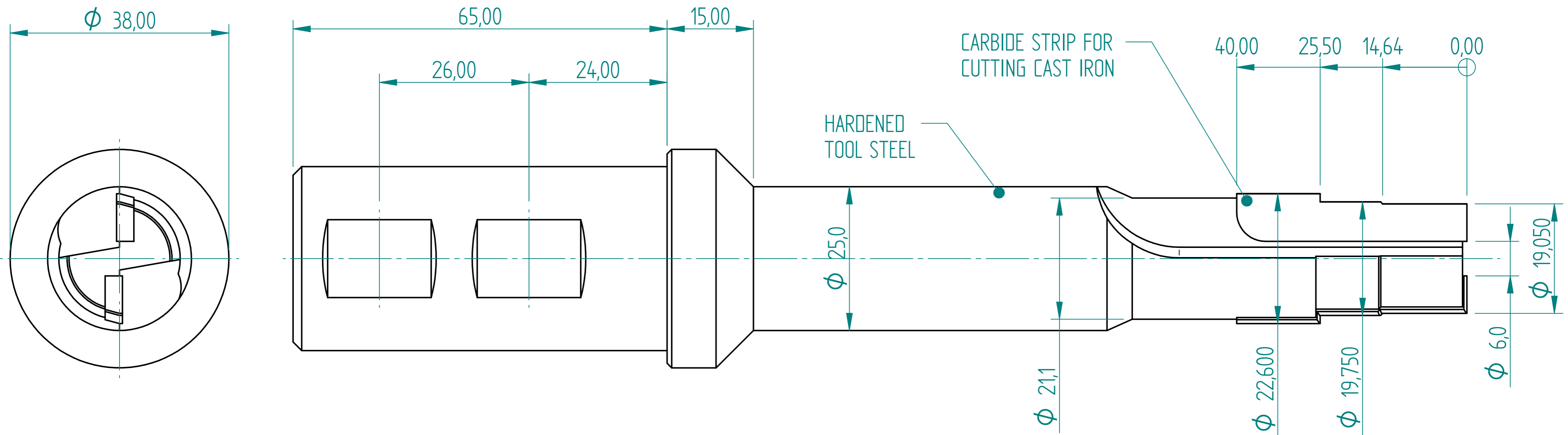
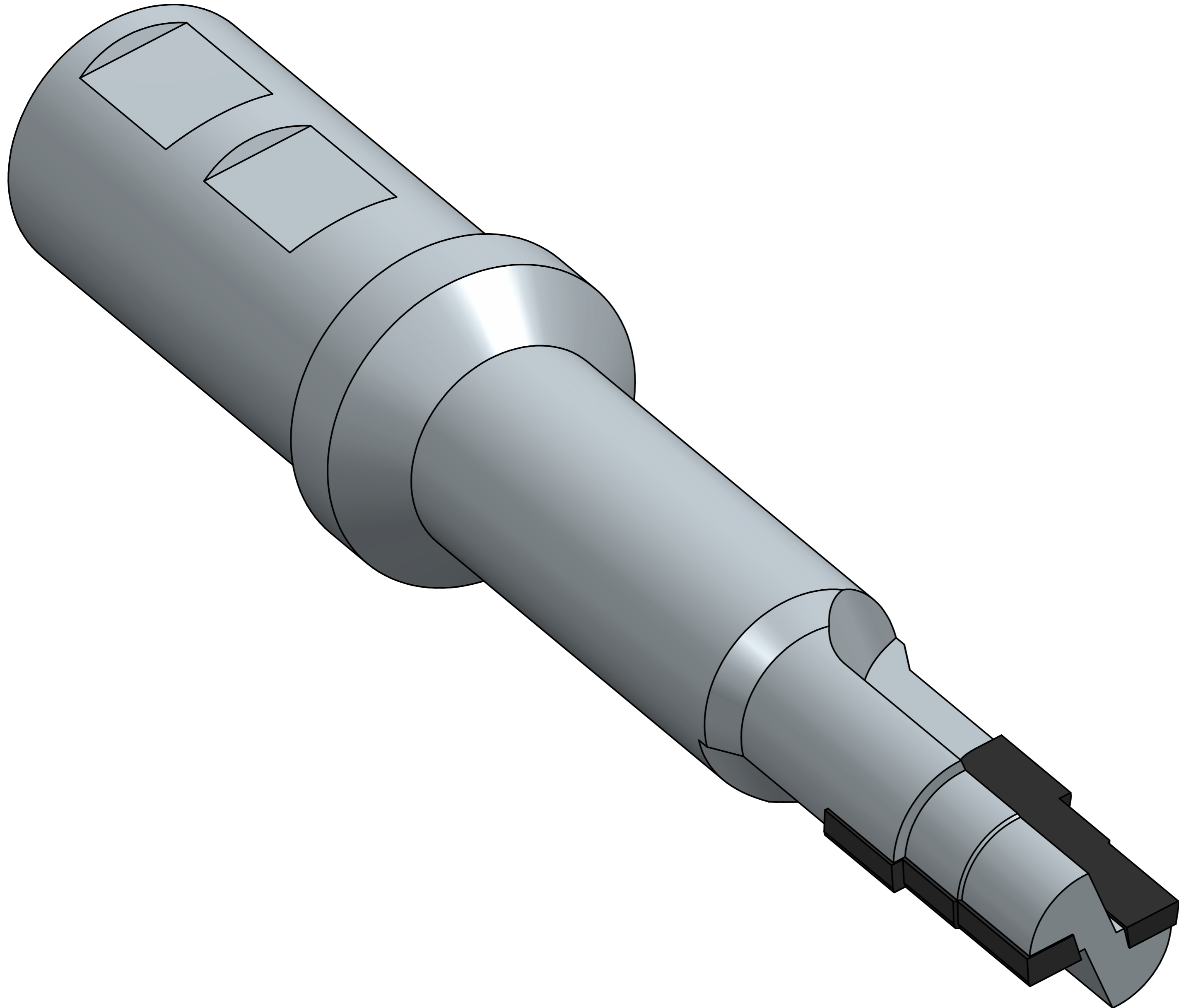


REVISION HISTORY			
REV	DESCRIPTION	DATE	APPROVED



Mid Inlet Bar

NAME	DATE	<b>PREMAC</b>	
DRAWN Dan	11/30/23	TITLE	
APPROVED		Mid Inlet Bar	
MATERIAL		SIZE A4	DWG NO
TREATMENT		FILE NAME: Mid Inlet Bar.dft	REV
UNLESS OTHERWISE SPECIFIED DIMENSIONS ARE IN MILLIMETERS		SCALE:	WEIGHT:
ANGLES ±0.1°		SHEET 1 OF 2	
2 PL ±0.02 3 PL ±0.005			



REVISION HISTORY			
REV	DESCRIPTION	DATE	APPROVED

	NAME	DATE	<b>PREMAC</b>	
DRAWN	Dan	11/30/23		
APPROVED			TITLE	
MATERIAL			Mid Inlet Bar	
TREATMENT			SIZE	DWG NO
UNLESS OTHERWISE SPECIFIED DIMENSIONS ARE IN MILLIMETERS			A4	REV
1 <sup>ST</sup> ANGLE ANGLES ±0.1°			FILE NAME: Mid Inlet Bar.dft	
2 PL ±0.02 3 PL ±0.005			SCALE:	WEIGHT: SHEET 2 OF 2