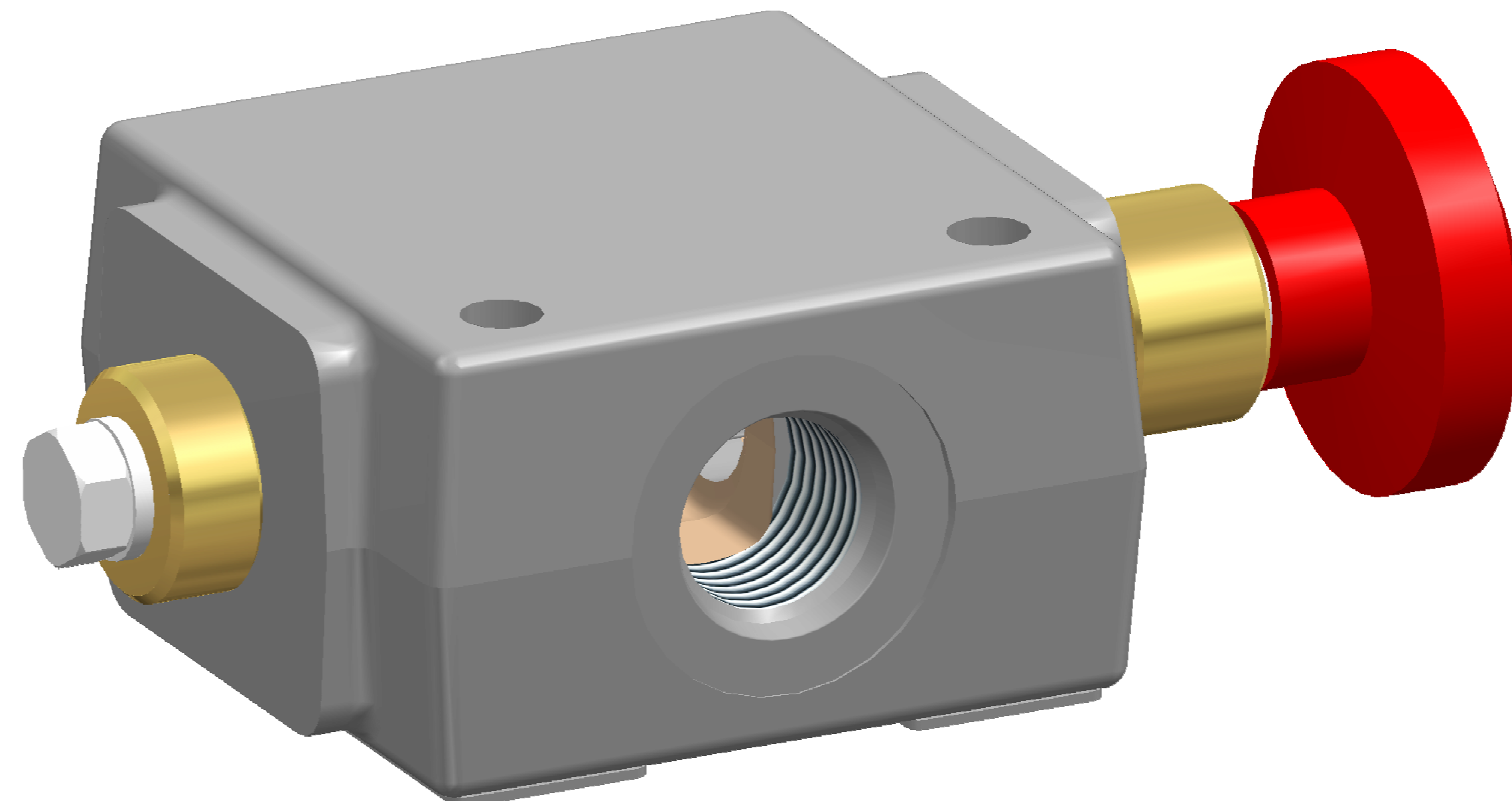
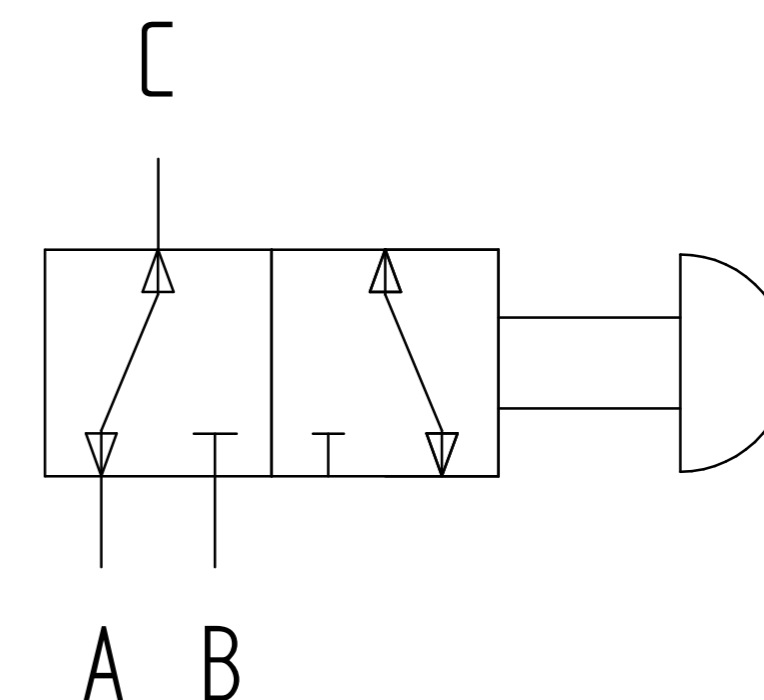
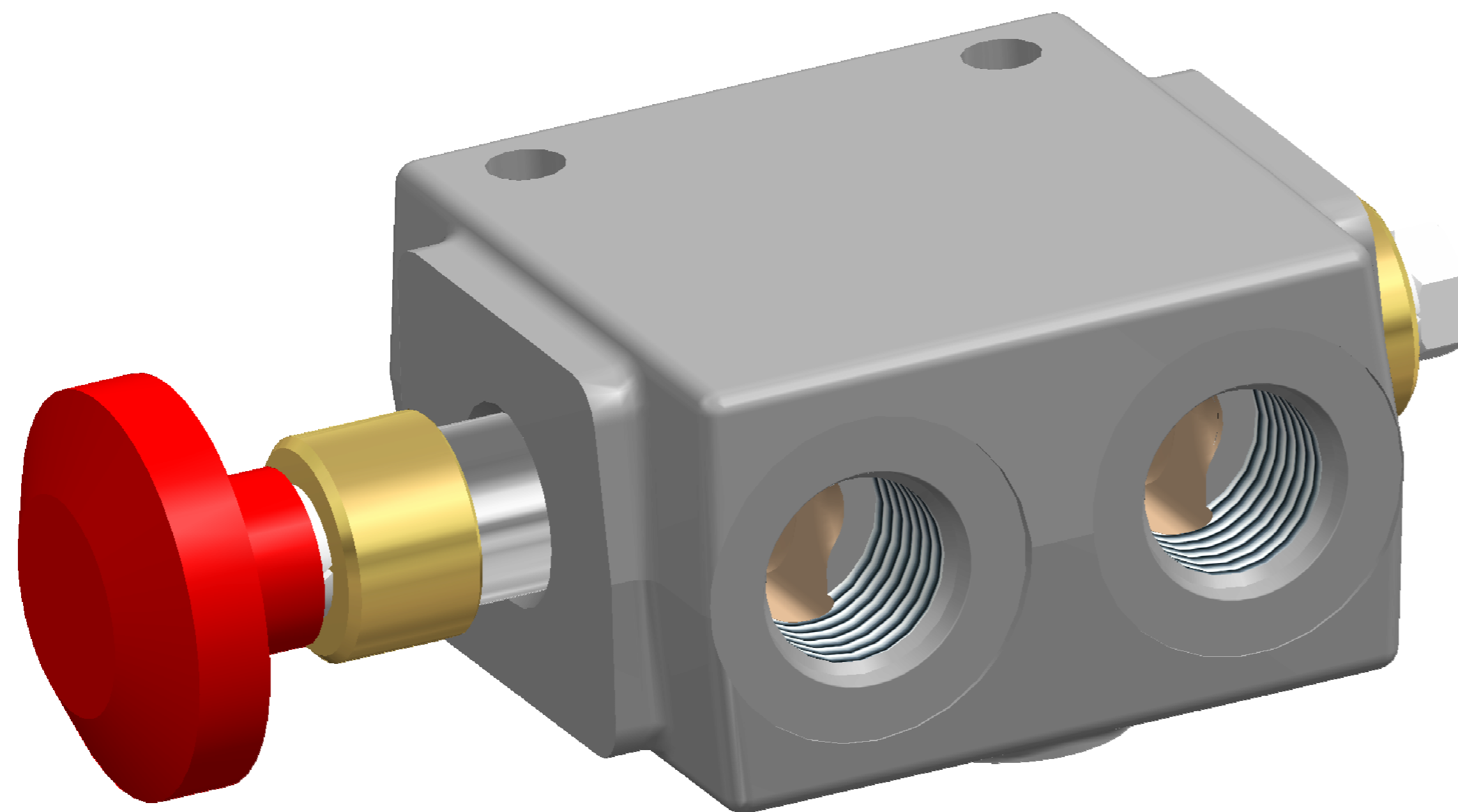


REVISION HISTORY			
REV	DESCRIPTION	DATE	APPROVED



HAND BRAKE VALVE
PART No: SVH-10RR
 WORK PORTS: SAE#10
 NOMINAL FLOW: 60L/min
 MAX PRESSURE: 350 Bar
 MATERIAL: CAST IRON BODY,
 STEEL SPOOL & PLASTIC KNOB

	NAME	DATE	PREMAC	
DRAWN	Dan	10/31/17	TITLE	
APPROVED			Selector Valve Horizontal	
MATERIAL			SIZE	DWG NO
TREATMENT			A4	SVH-10
UNLESS OTHERWISE SPECIFIED DIMENSIONS ARE IN MILLIMETERS			FILE NAME:	REV
1st ANGLE 2 PL ±0.02 3 PL ±0.005			Selector Valve 2.dft	
			SCALE:	WEIGHT:
				SHEET 1 OF 2