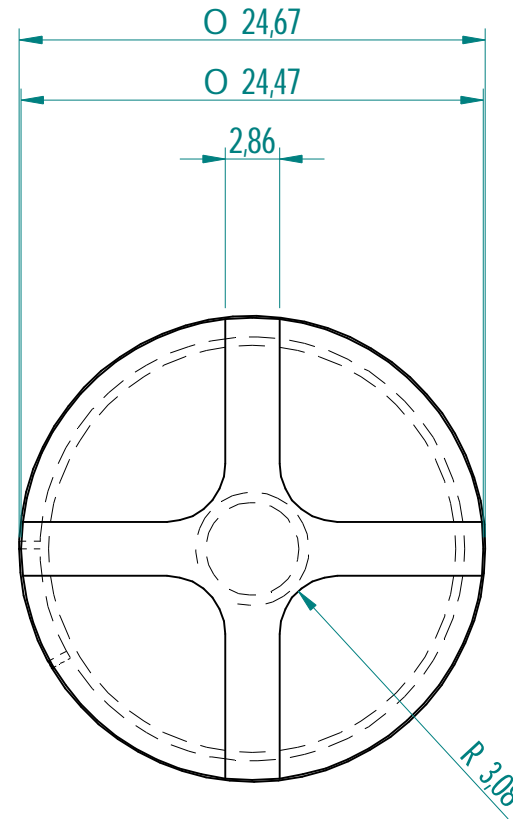
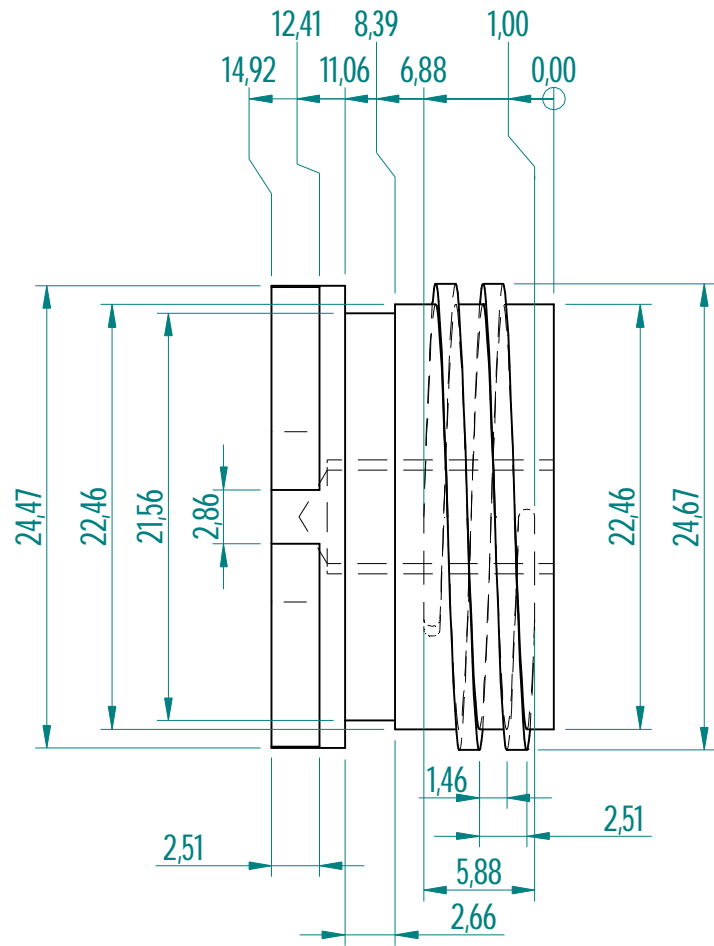


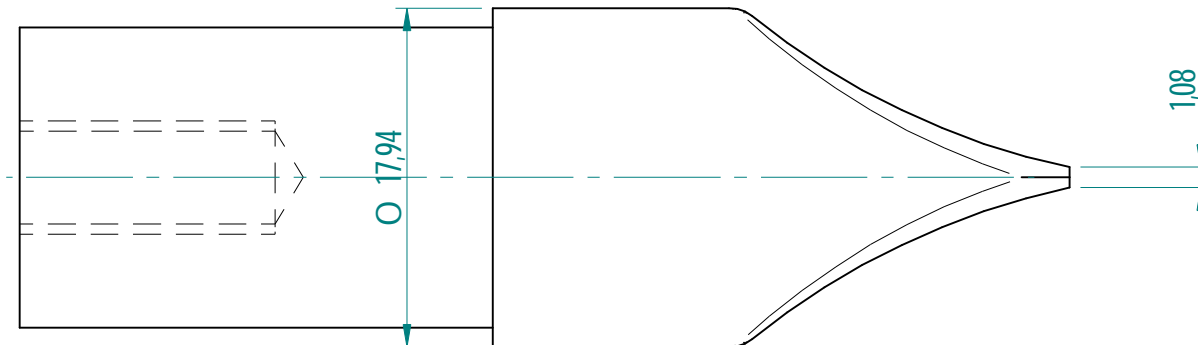
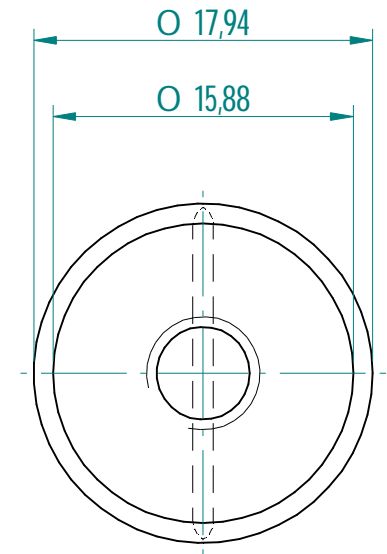
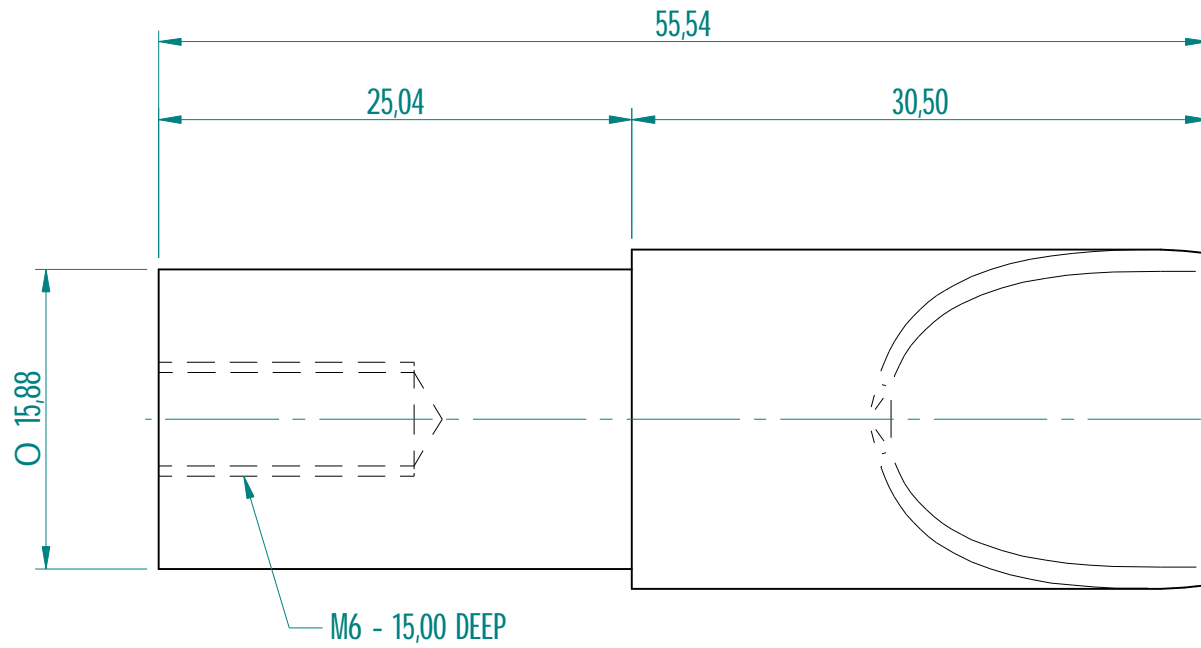
REVISION HISTORY			
REV	DESCRIPTION	DATE	APPROVED



Electrode DB Thread

DRAWN	NAME	DATE	AGRIGEL	
APPROVED	Dan	02/12/13	TITLE	
MATERIAL			FILE NAME: Duck Bill Mould.dft	
TREATMENT			SCALE: WEIGHT: SHEET 4 OF 6	
UNLESS OTHERWISE SPECIFIED DIMENSIONS ARE IN MILLIMETERS			SIZE	DWG NO
ANGLES $\pm 0,1^\circ$			A4	REV
2 PL $\pm 0,02$ 3 PL $\pm 0,005$				

REVISION HISTORY			
REV	DESCRIPTION	DATE	APPROVED



Electrode DB Front

DRAWN	NAME	DATE	AGRIGEL	
APPROVED	Dan	02/12/13	TITLE	
MATERIAL			FILE NAME: Duck Bill Mould.dft	
TREATMENT			SCALE:	WEIGHT:
UNLESS OTHERWISE SPECIFIED DIMENSIONS ARE IN MILLIMETERS ANGLES $\pm 0,1^\circ$			SIZE A4	REV
	2 PL $\pm 0,02$	3 PL $\pm 0,005$	SHEET 5 OF 6	