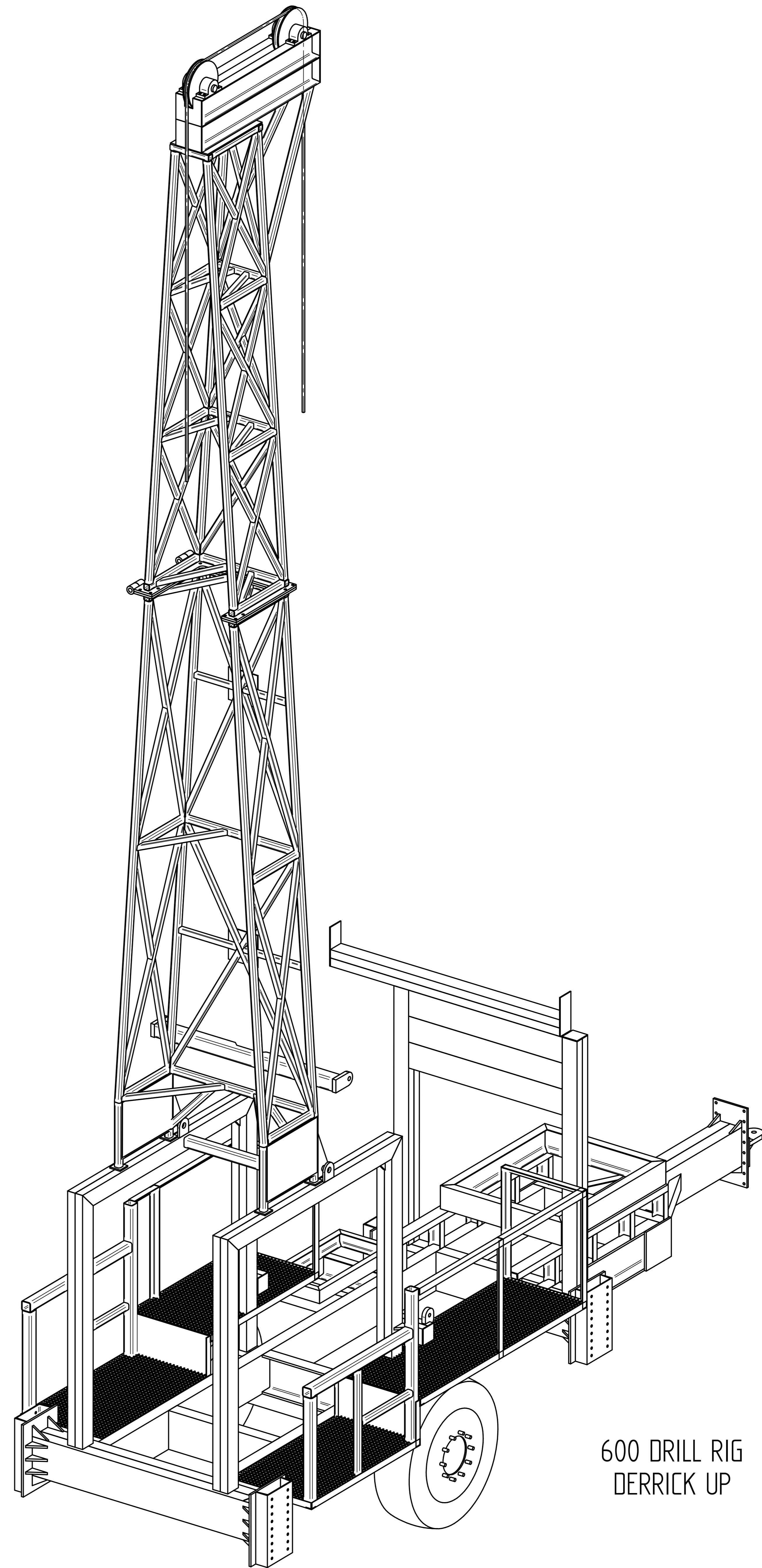
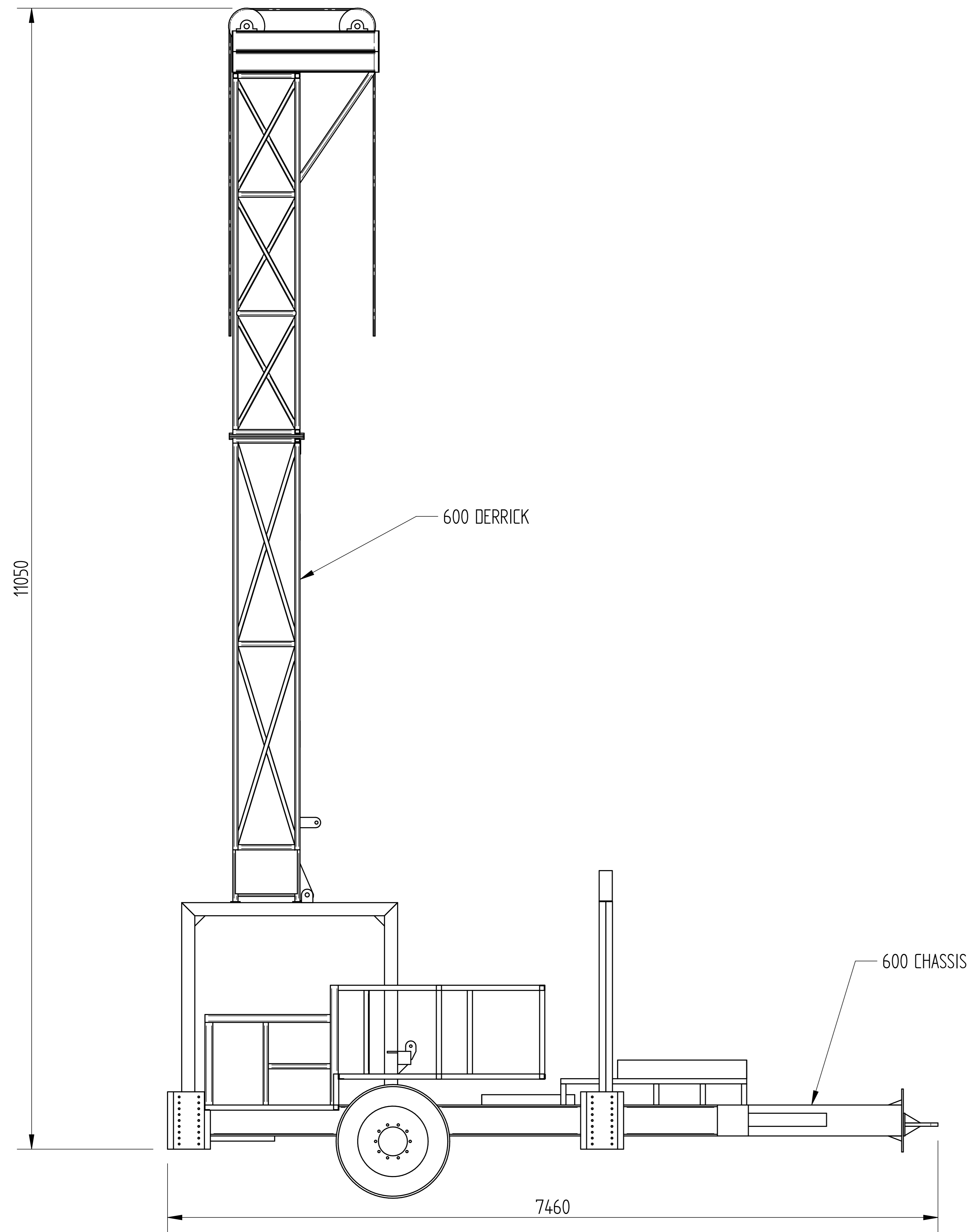


600 DRILL RIG  
DERRICK DOWN

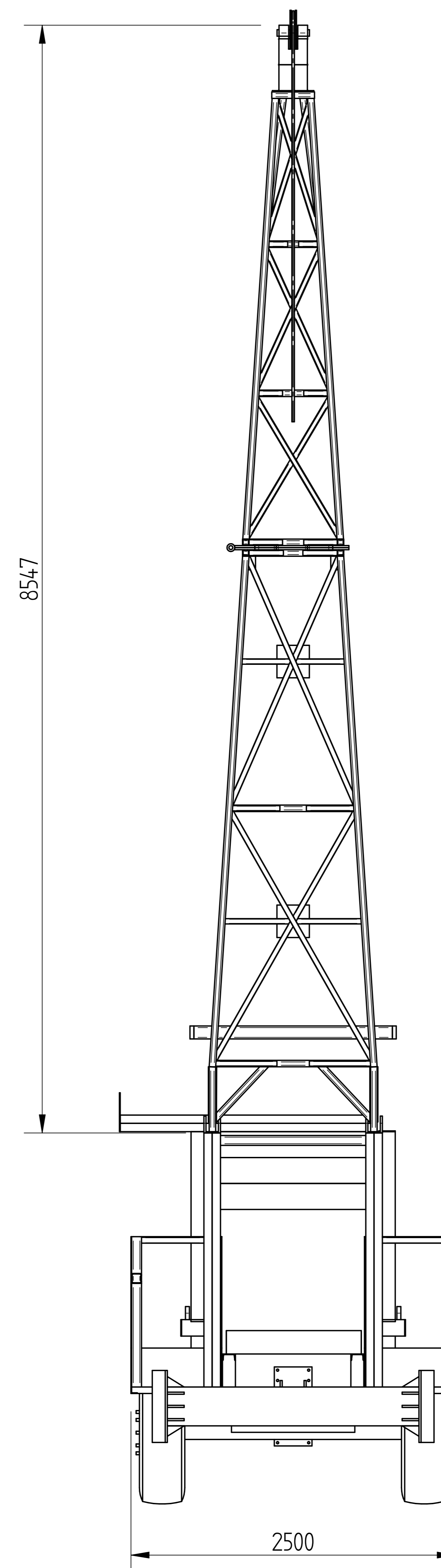


600 DRILL RIG  
DERRICK UP

DRAWN	NAME	DATE	EQUAL CHANCE TRADING 50		
CHECKED	D.L.G.	02/06/13	TITLE		
ENG APPR			600 DRILL RIG		
MGR APPR			SIZE	DWG NO	REV
			A0	600	A
UNLESS OTHERWISE SPECIFIED DIMENSIONS ARE IN MILLIMETERS			FILE NAME 600 Drill Rig.dwg		
ANGLES =0.1°			SCALE	WEIGHT	SHEET 1 OF 4
2 PL =0.02 3 PL =0.005					



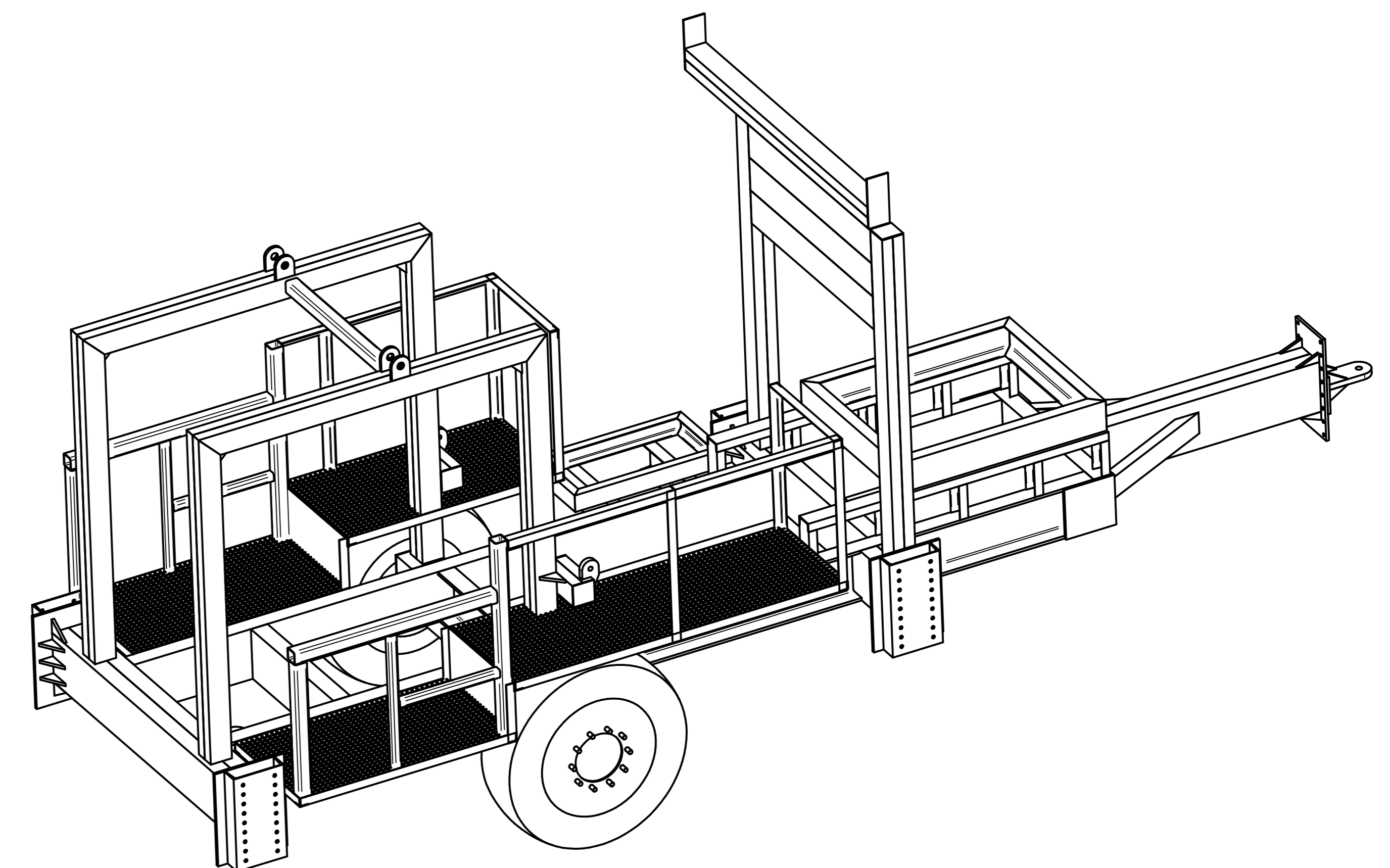
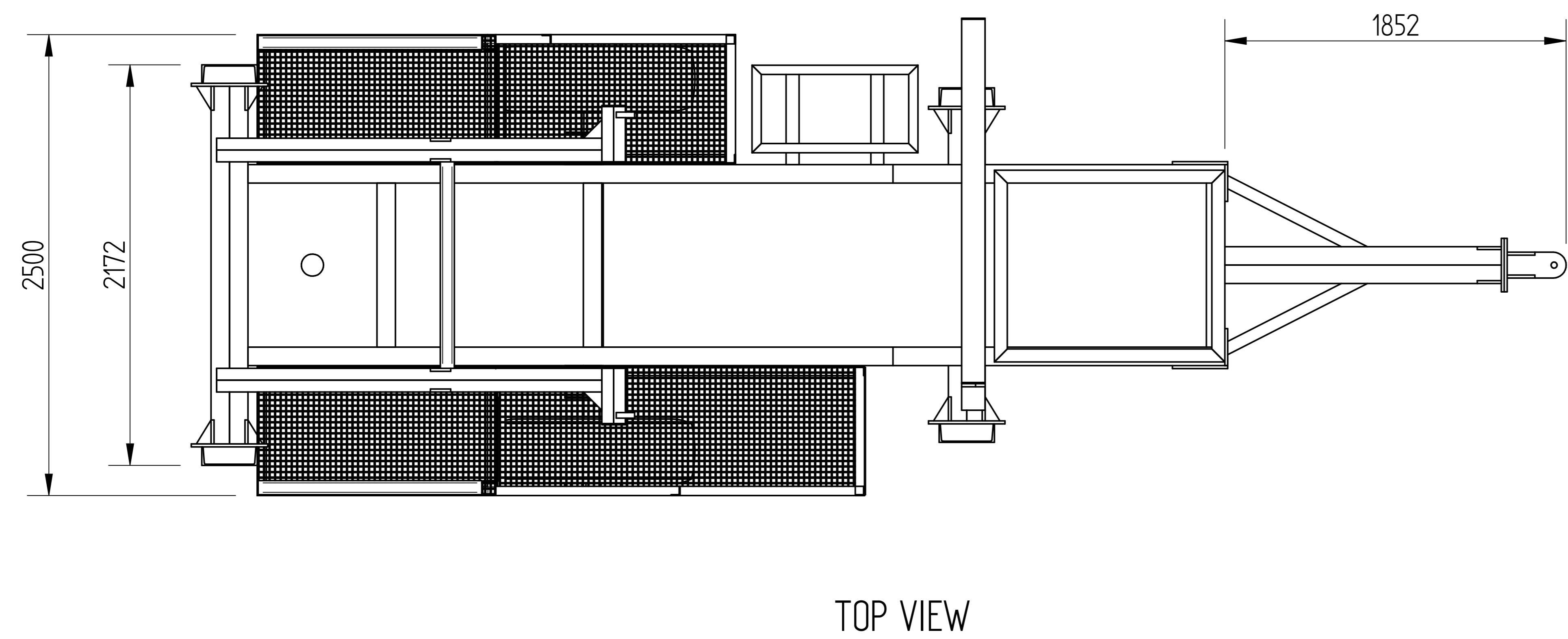
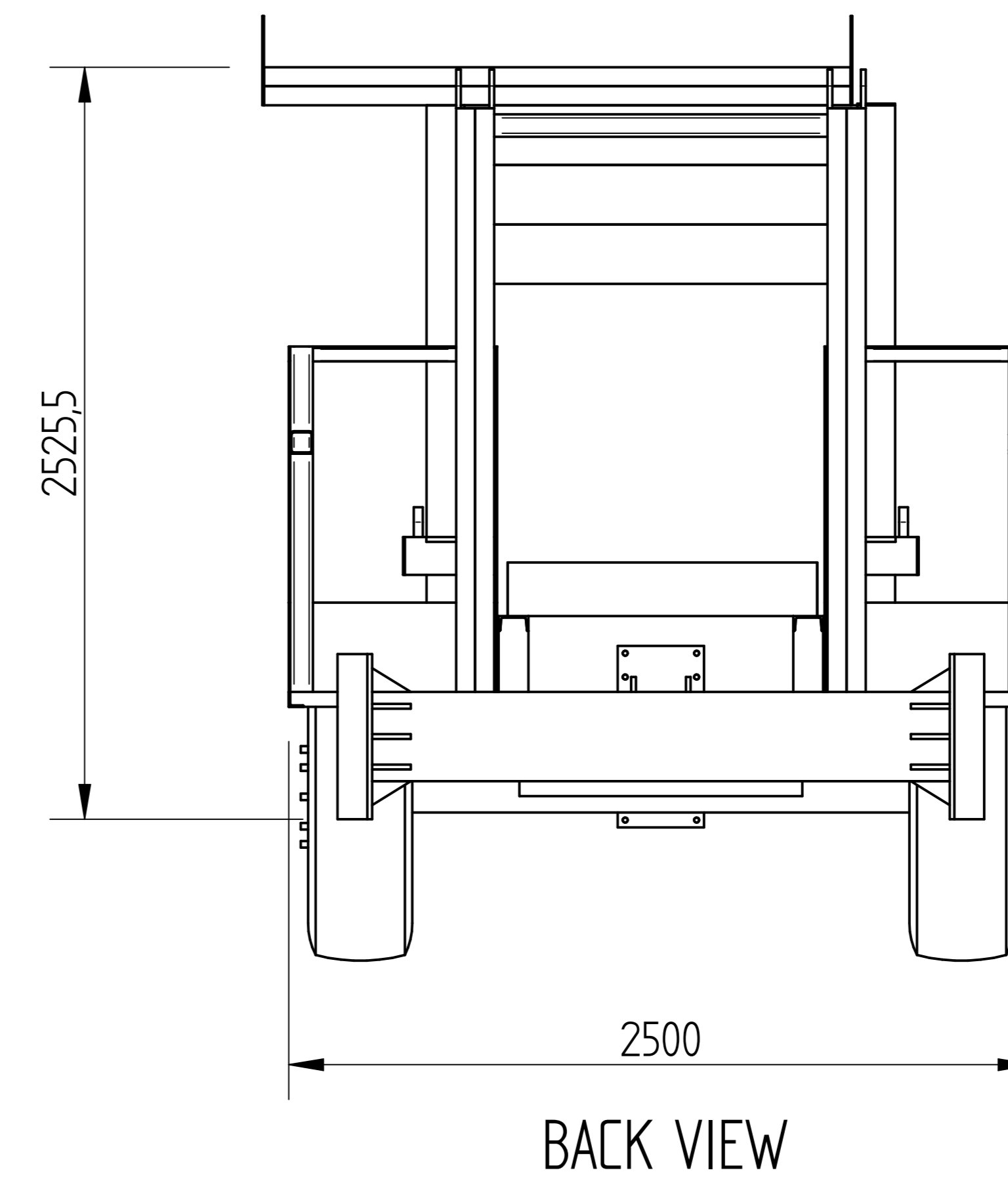
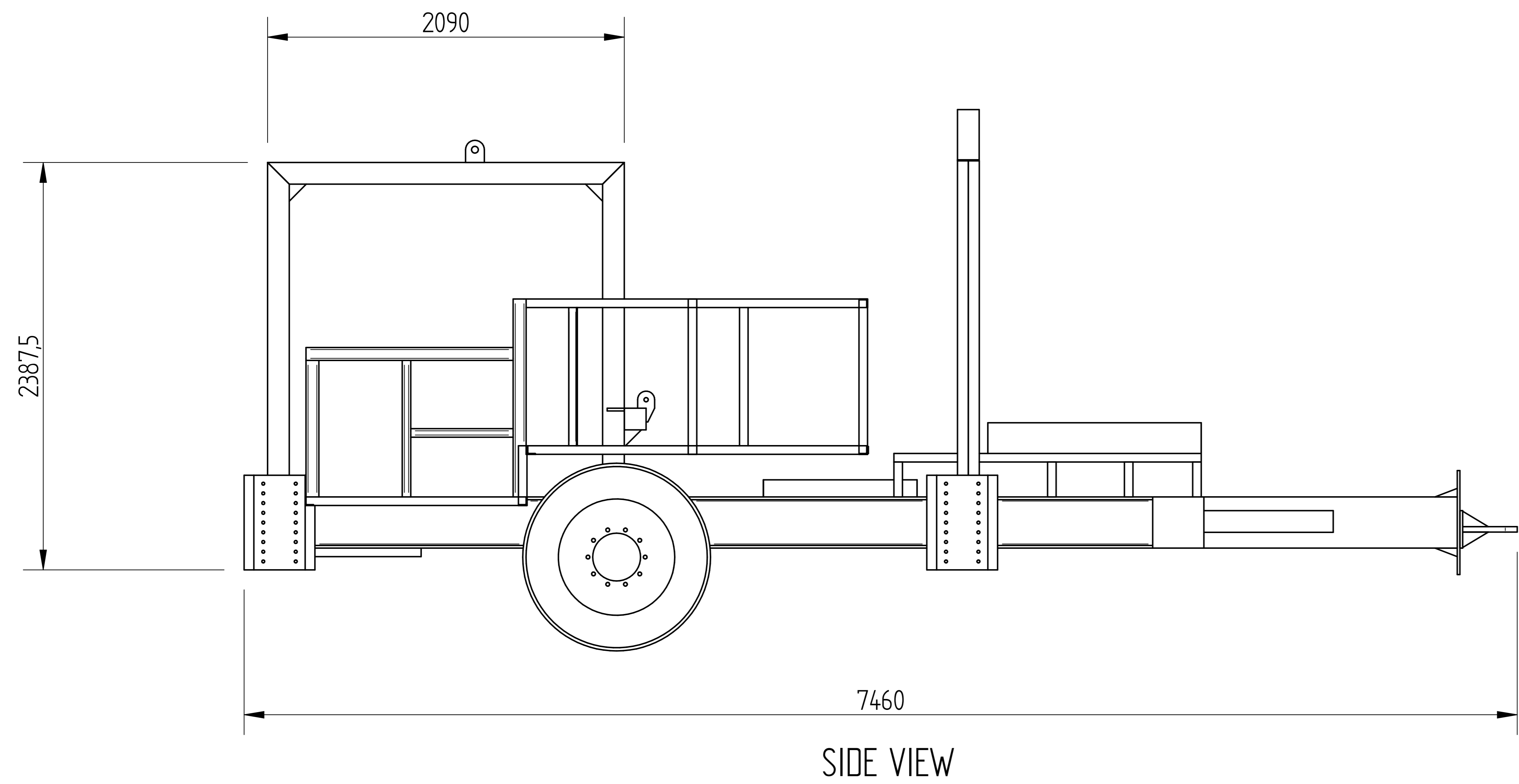
SIDE VIEW



BACK VIEW

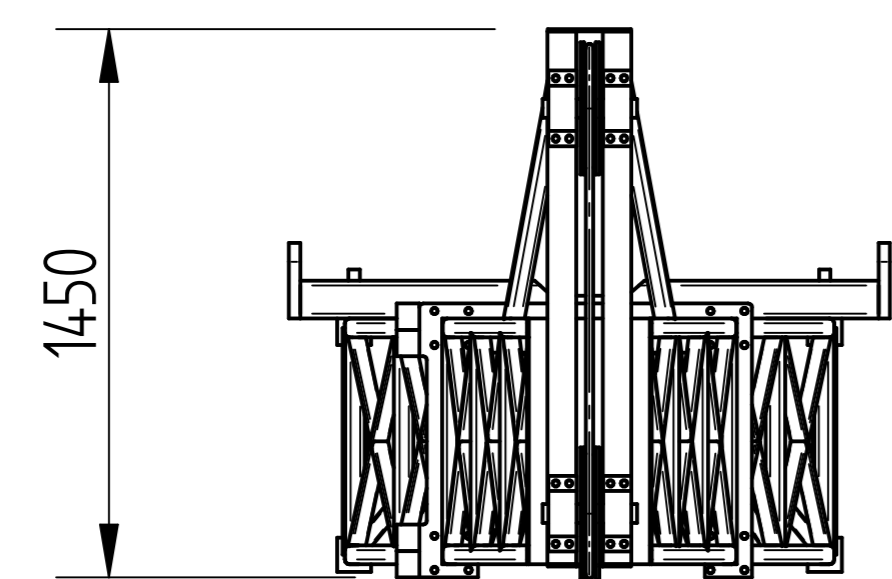
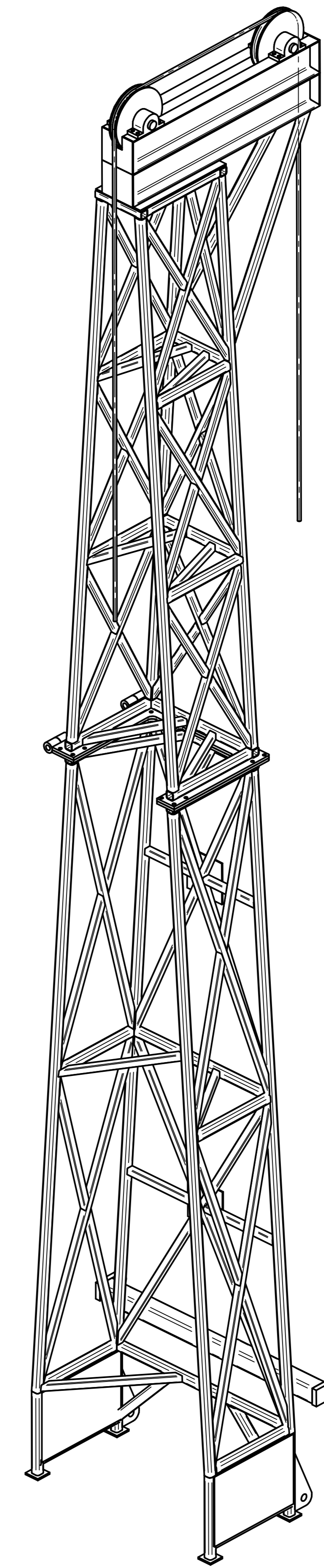
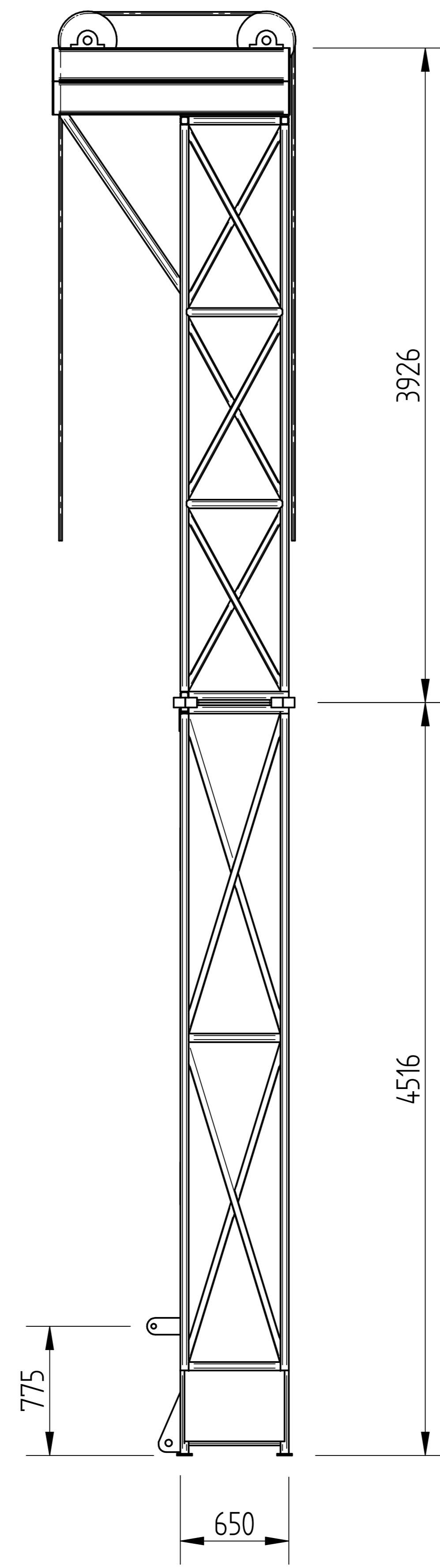
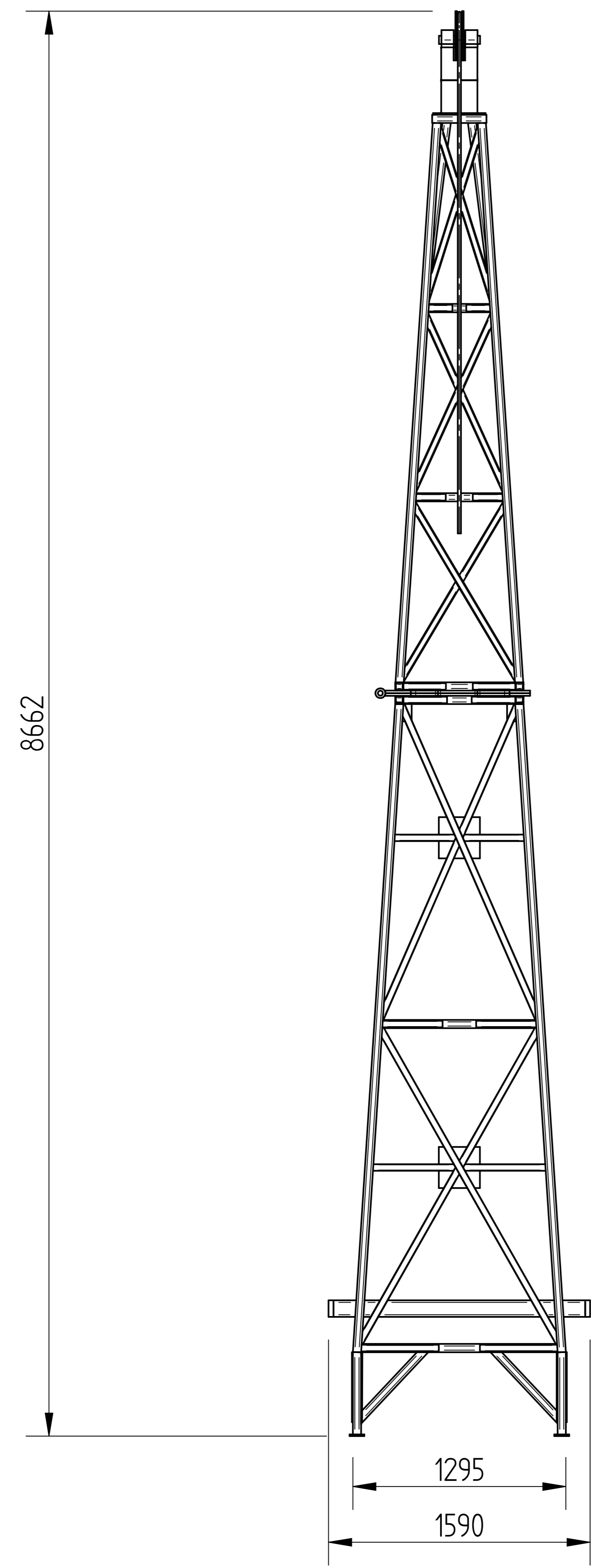
600 DRILL RIG

DRAWN	NAME	DATE	EQUAL CHANCE TRADING 50	
CHECKED	D.L.G.	02/06/13	TITLE	
ENG APPR			600 DRILL RIG	
MGR APPR			SIZE	REV
UNLESS OTHERWISE SPECIFIED			A0	A
DIMENSIONS ARE IN MILLIMETERS			FILE NAME	600 Drill Rig.dwg
ANGLES = 0.1°			SCALE	WEIGHT
2 PL = 0.02 3 PL = 0.005			SHEET 2 OF 4	



600 CHASSIS  
600-C-000

NAME	DATE	EQUAL CHANCE TRADING 50	
DRAWN: DLG	02/06/13	TITLE	600 DRILL RIG
CHECKED:		SIZE	DWG NO: 600
ENG APPR:		REV	A
MGR APPR:		FILE NAME	600 Drill Rig.dwg
UNLESS OTHERWISE SPECIFIED: DIMENSIONS ARE IN MILLIMETERS		SCALE	WEIGHT
ANGLES = 0.1°		SHEET 3 OF 4	
2 PL = 0.02 3 PL = 0.005			



TOP VIEW

600 DERRICK  
600-0-000

DRAWN	NAME	DATE	EQUAL CHANCE TRADING 50		
CHECKED	D.L.G.	02/06/13	TITLE		
ENG APPR			600 DERRICK		
MGR APPR			SIZE	DWG NO	REV
			A0	600	A
UNLESS OTHERWISE SPECIFIED			FILE NAME 600 Derr.dwg		
DIMENSIONS ARE IN MILLIMETERS			SCALE	WEIGHT	SHEET 4 OF 4
ANGLES =0.1°					
2 PL =0.02 3 PL =0.005					