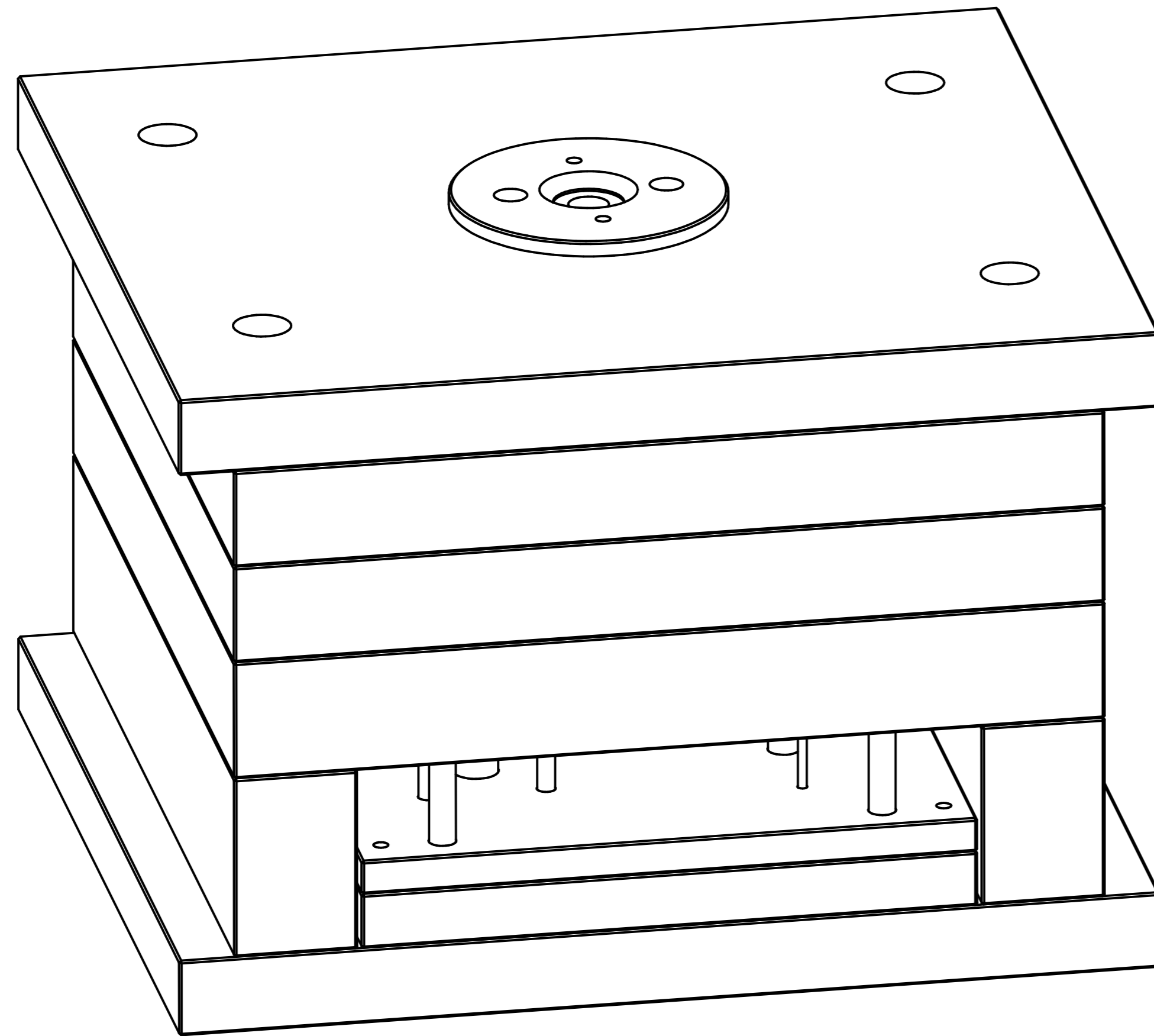
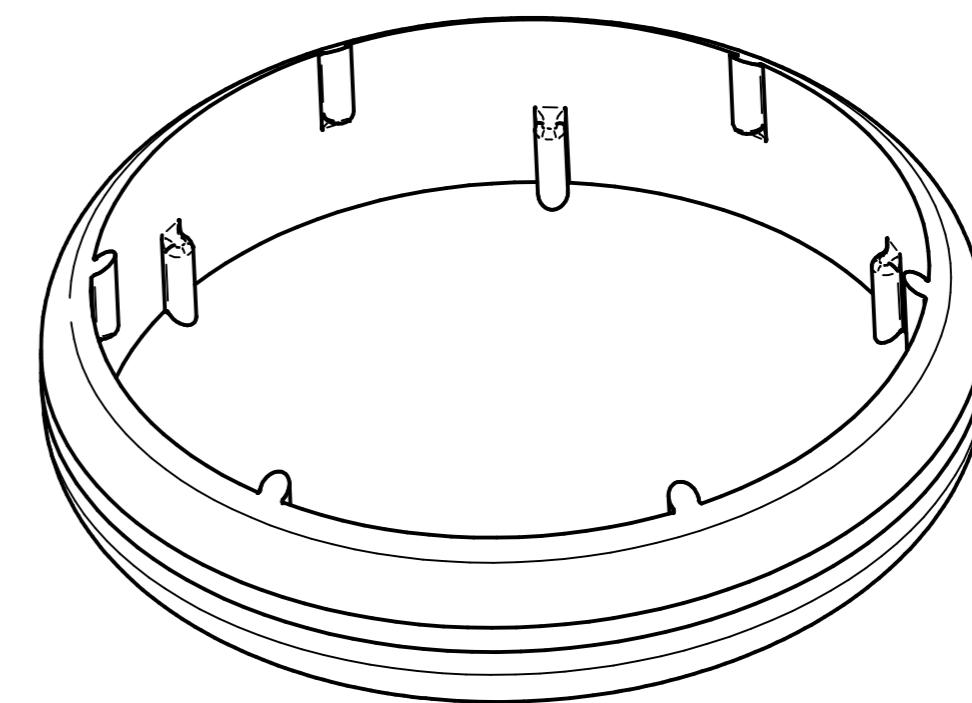
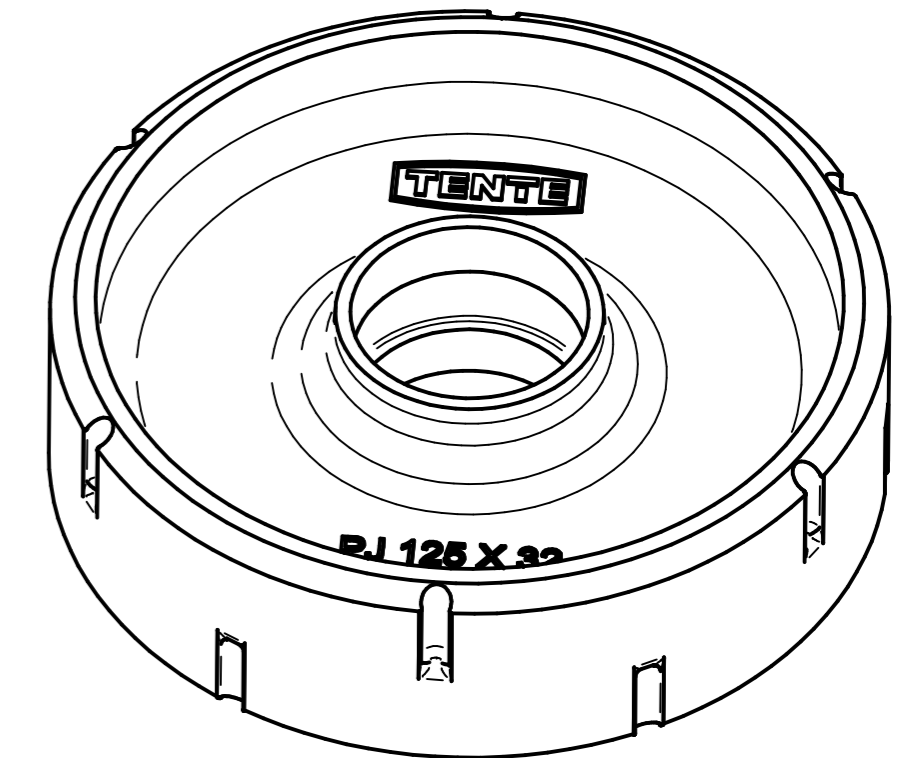
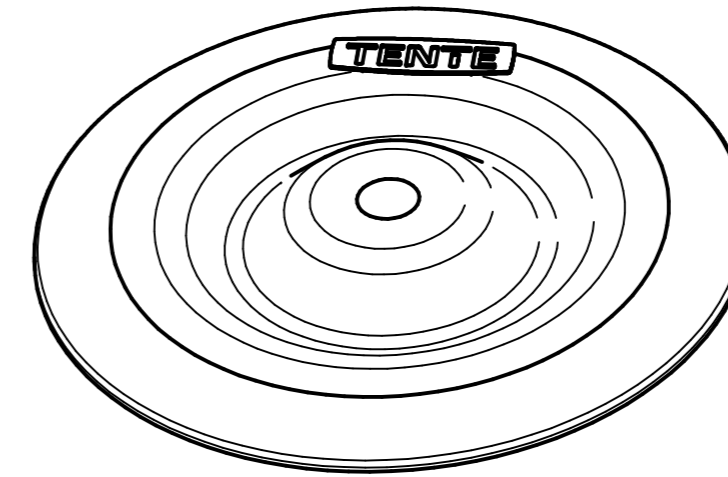


REVISION HISTORY			
REV	DESCRIPTION	DATE	APPROVED

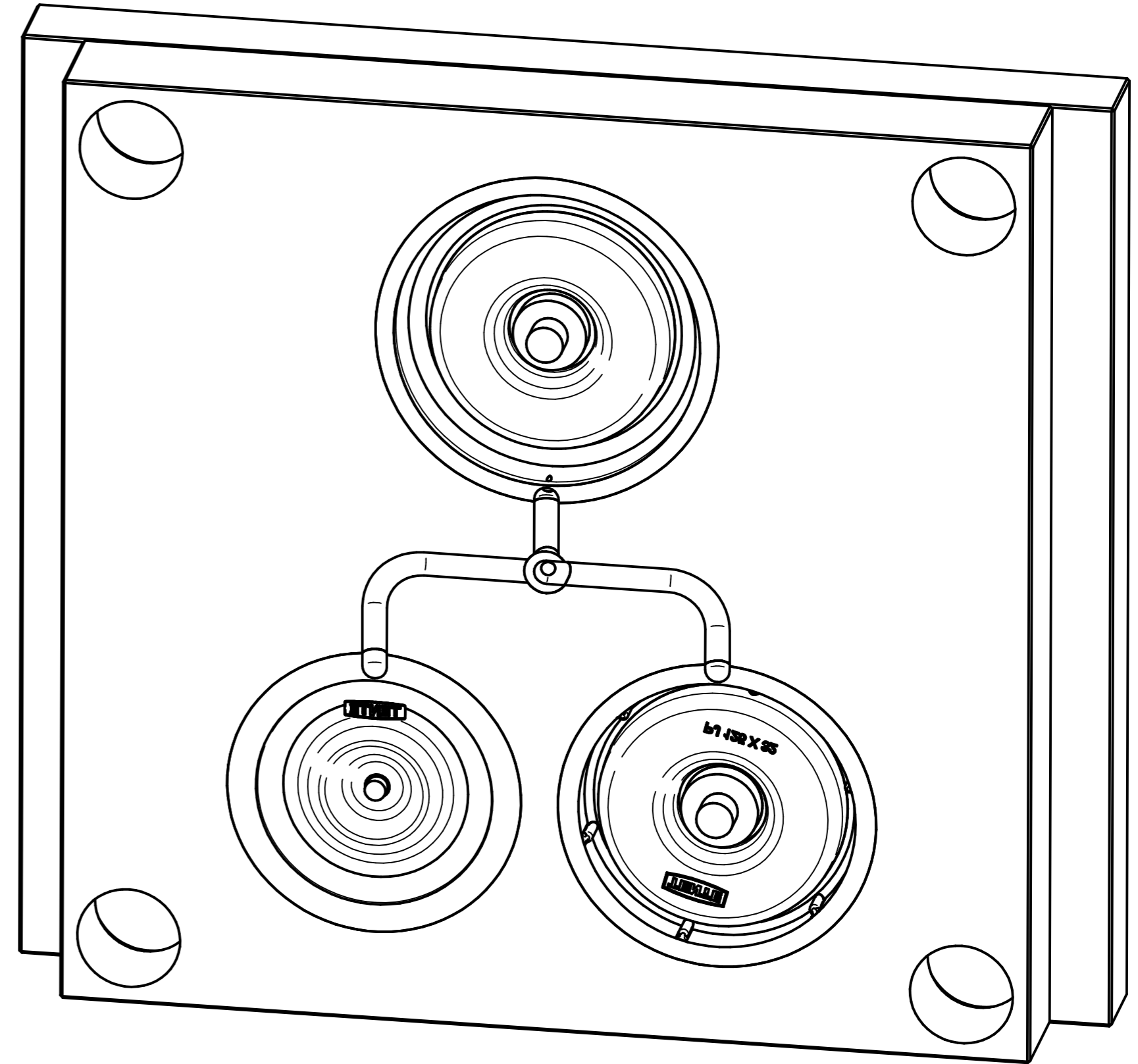
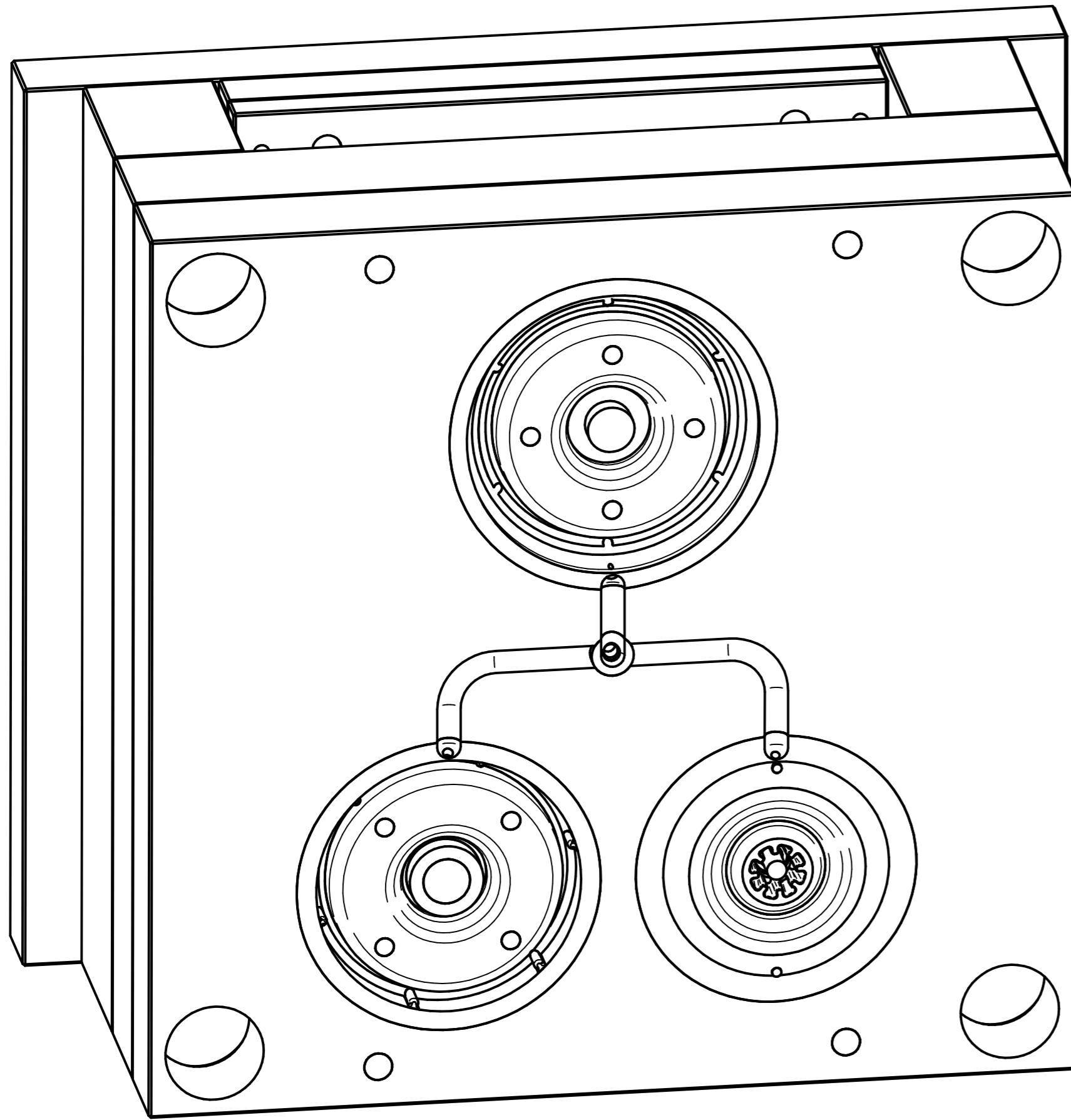


PJP125X32 WC-ND Mould



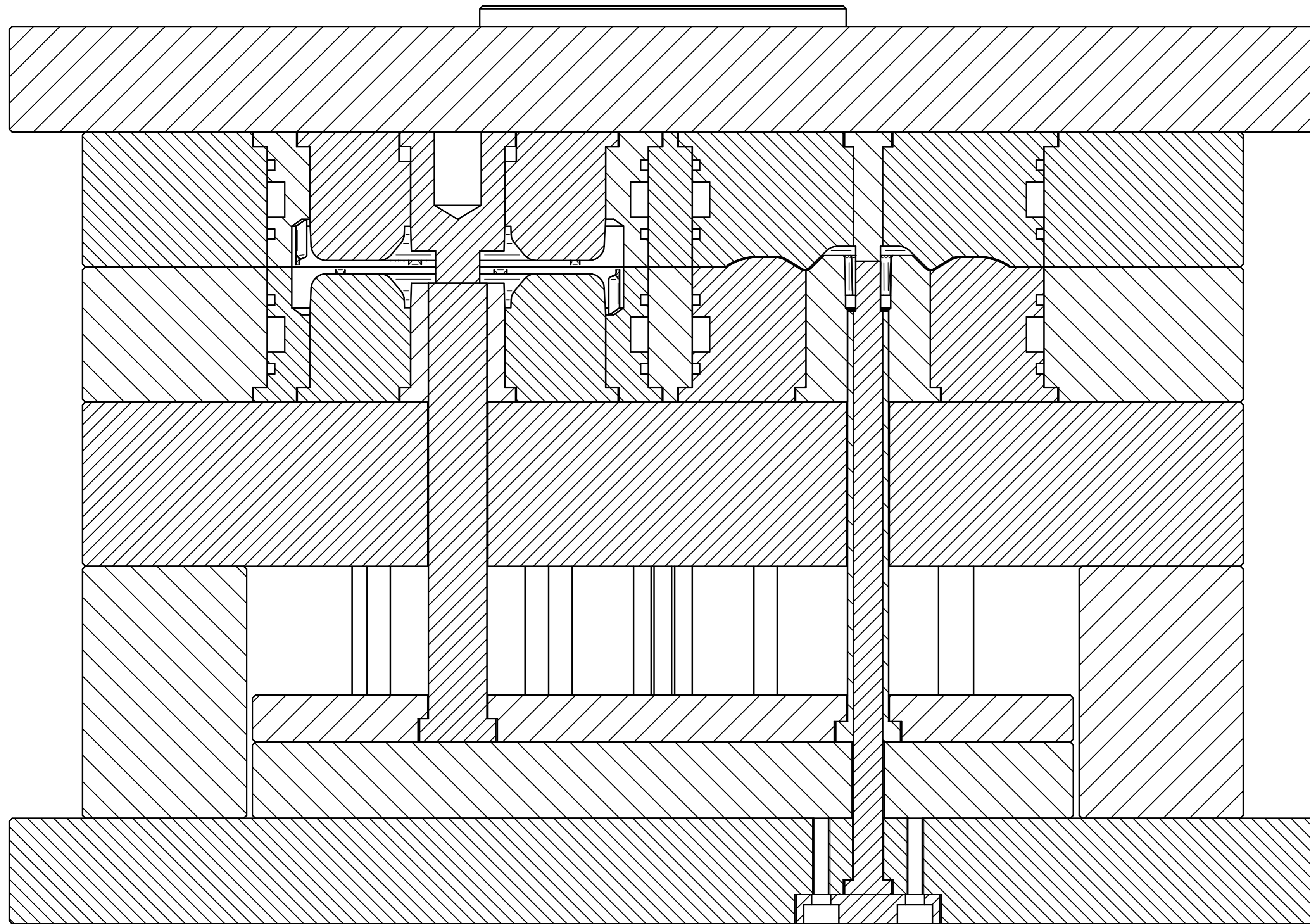
	NAME	DATE	AGRIGEL	
DRAWN	Dan	01/27/18		
APPROVED				
MATERIAL				
TREATMENT			TITLE	
UNLESS OTHERWISE SPECIFIED DIMENSIONS ARE IN MILLIMETERS			SIZE A4	DWG NO
1st ANGLE ANGLES ±0.1°			FILE NAME: PJP125X32 WC-ND Mould.dft	
2 PL ±0.02 3 PL ±0.005			SCALE:	WEIGHT:
			SHEET 1 OF 10	

REVISION HISTORY			
REV	DESCRIPTION	DATE	APPROVED



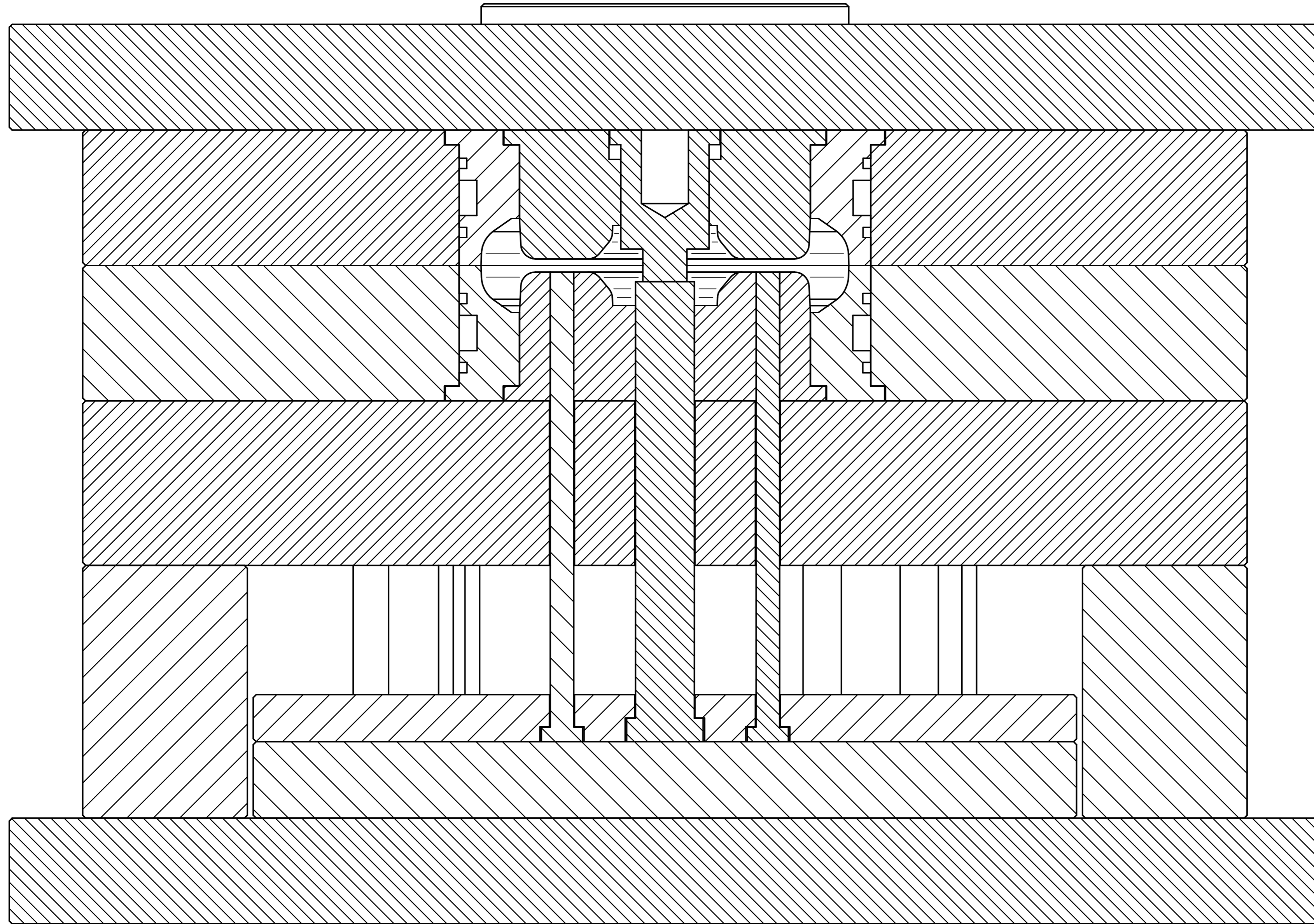
	NAME	DATE	AGRIGEL	
DRAWN	Dan	01/27/18		
APPROVED				
MATERIAL				
TREATMENT			TITLE	
UNLESS OTHERWISE SPECIFIED DIMENSIONS ARE IN MILLIMETERS			SIZE A4	DWG NO
1 st ANGLE ANGLES ±0.1°			FILE NAME: PJP125X32 WC-ND Mould.dft	
2 PL ±0.02 3 PL ±0.005			SCALE:	WEIGHT:
			SHEET 2 OF 10	

REVISION HISTORY			
REV	DESCRIPTION	DATE	APPROVED



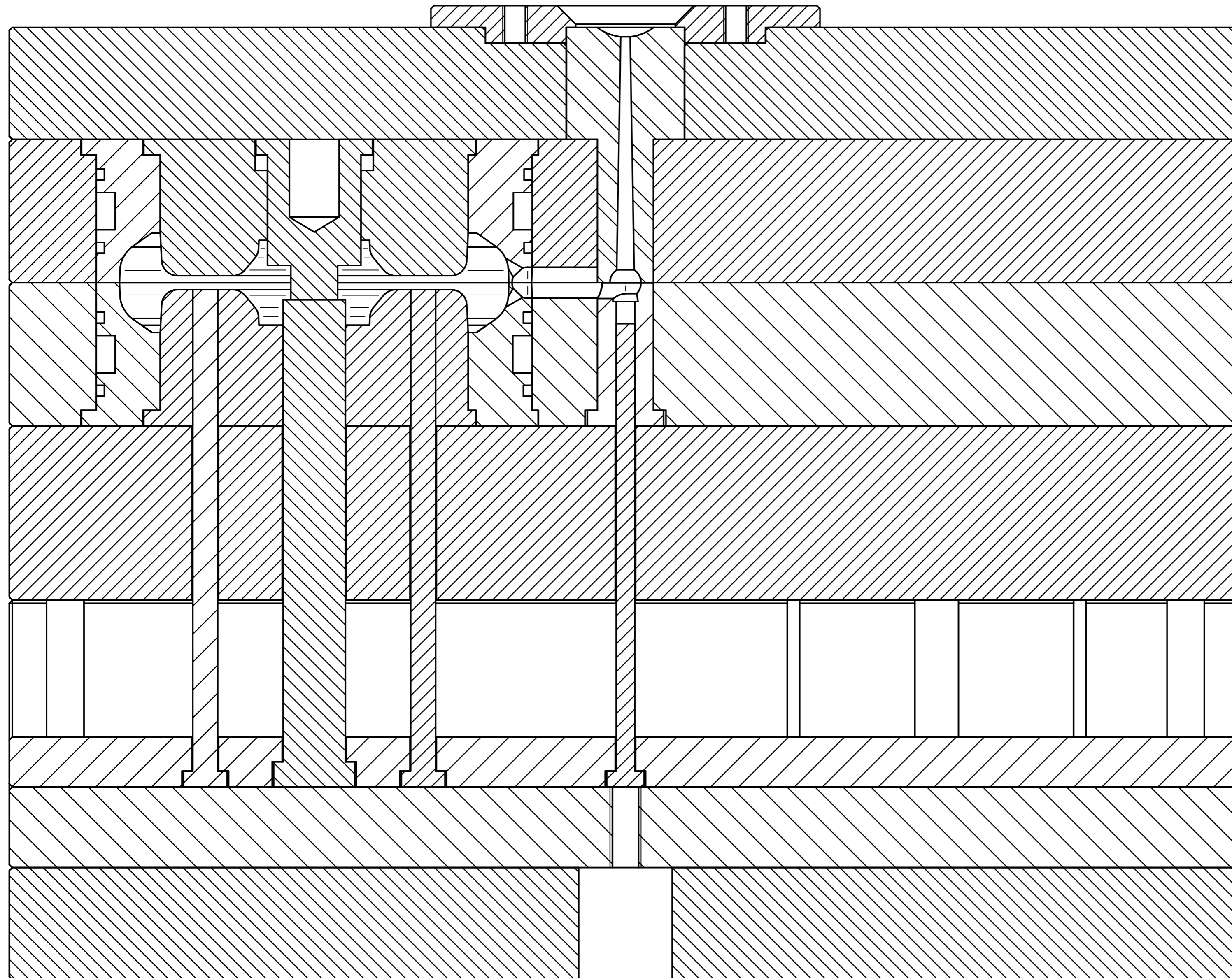
DRAWN	NAME	DATE	AGRIGEL		
APPROVED	Dan	01/27/18			
MATERIAL					
TREATMENT					
UNLESS OTHERWISE SPECIFIED DIMENSIONS ARE IN MILLIMETERS			SIZE	DWG NO	REV
1st ANGLE ANGLES ±0.1°			A4		
2 PL ±0.02 3 PL ±0.005			FILE NAME: PJP125X32 WC-ND Mould.dft	SCALE:	WEIGHT:
					SHEET 3 OF 10

REVISION HISTORY			
REV	DESCRIPTION	DATE	APPROVED



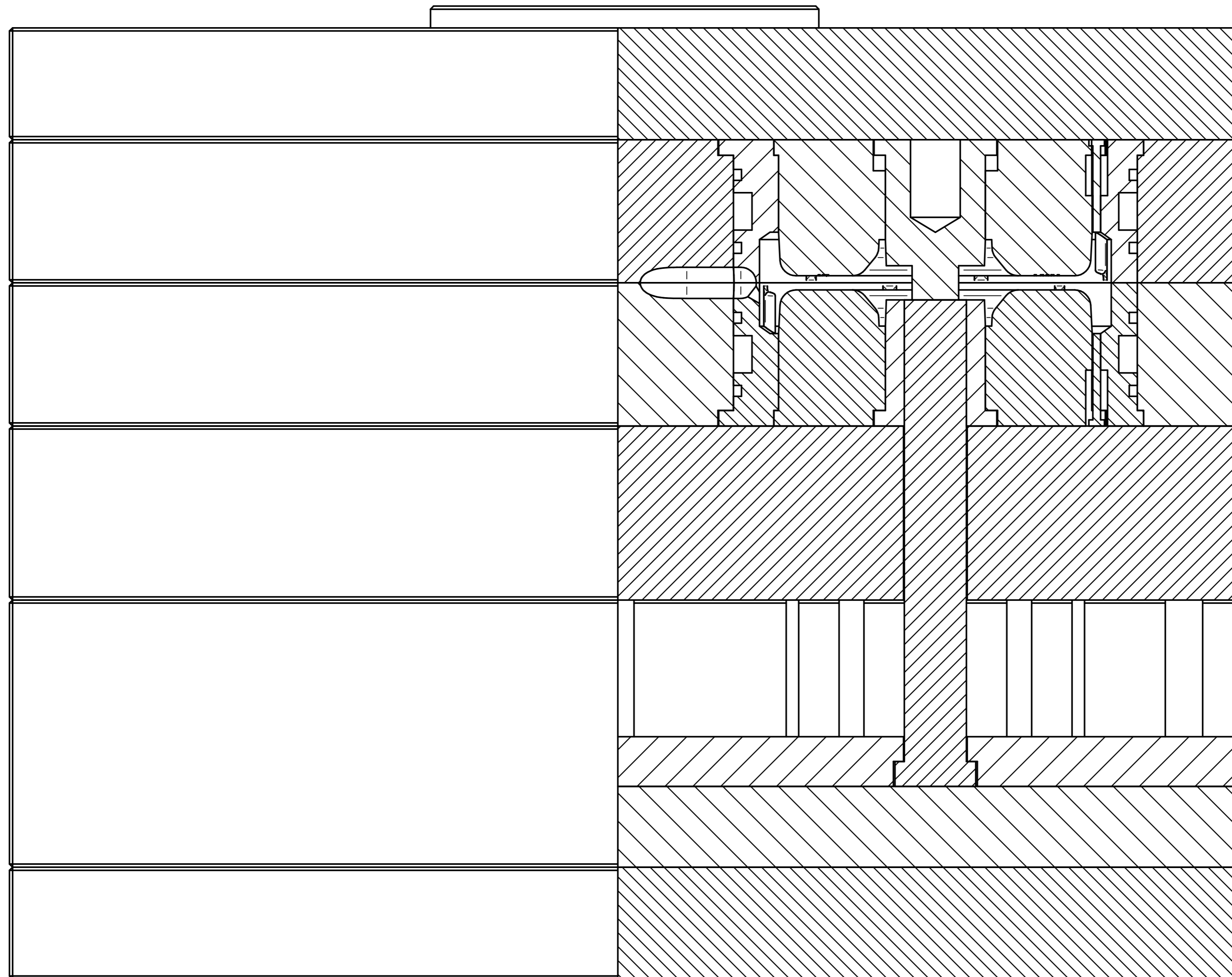
DRAWN	NAME	DATE	AGRIGEL		
APPROVED	Dan	01/27/18			
MATERIAL					
TREATMENT					
UNLESS OTHERWISE SPECIFIED DIMENSIONS ARE IN MILLIMETERS			SIZE A4	DWG NO	REV
1st ANGLE ANGLES ±0.1°			FILE NAME: PJP125X32 WC-ND Mould.dft		
2 PL ±0.02 3 PL ±0.005			SCALE:	WEIGHT:	SHEET 4 OF 10

REVISION HISTORY			
REV	DESCRIPTION	DATE	APPROVED



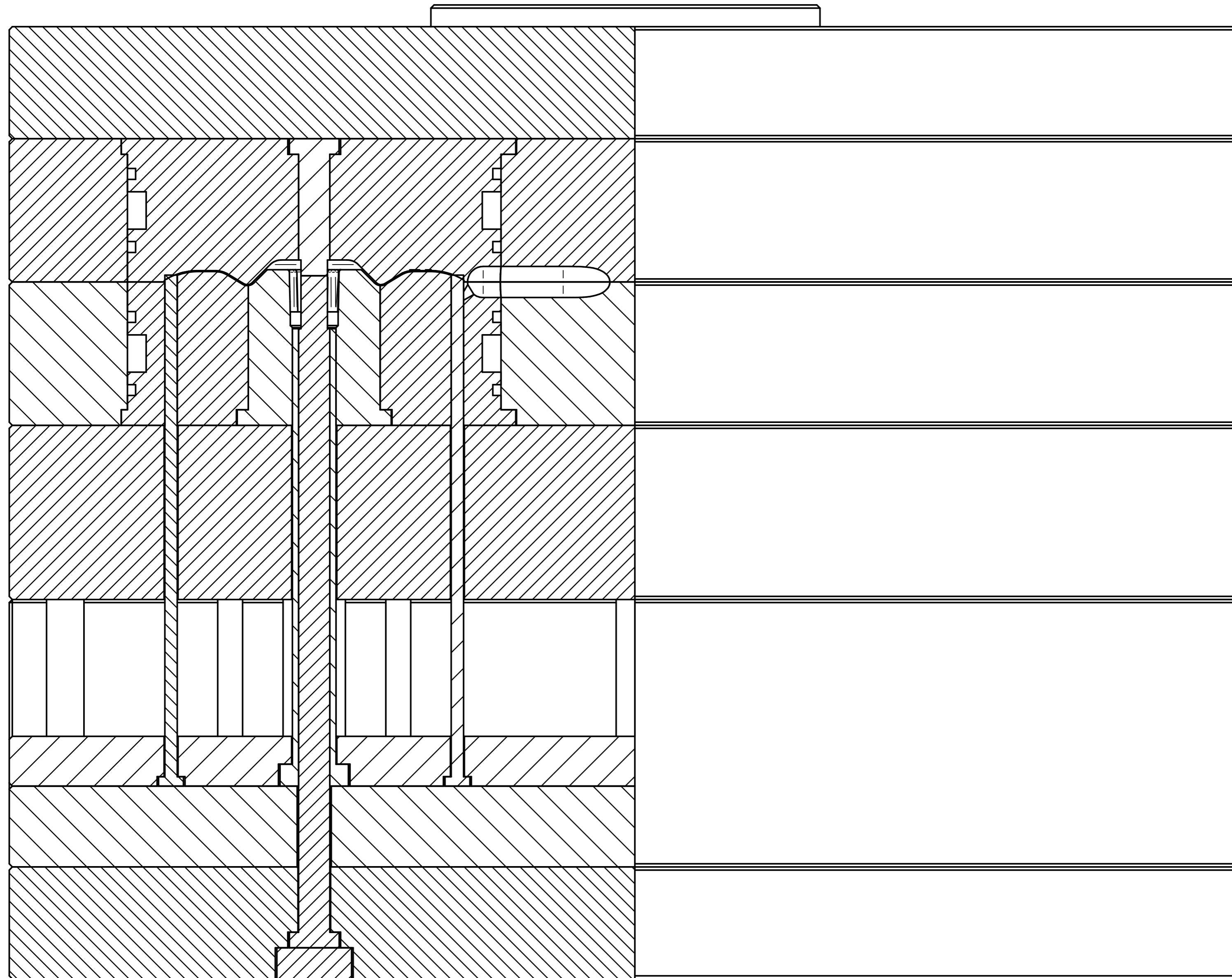
	NAME	DATE	AGRIGEL	
DRAWN	Dan	01/27/18		
APPROVED				
MATERIAL				
TREATMENT			TITLE	
UNLESS OTHERWISE SPECIFIED DIMENSIONS ARE IN MILLIMETERS			SIZE A4	DWG NO
1st ANGLE ANGLES ±0.1°			FILE NAME: PJP125X32 WC-ND Mould.dft	REV
2 PL ±0.02 3 PL ±0.005			SCALE:	WEIGHT:
			SHEET 5 OF 10	

REVISION HISTORY			
REV	DESCRIPTION	DATE	APPROVED



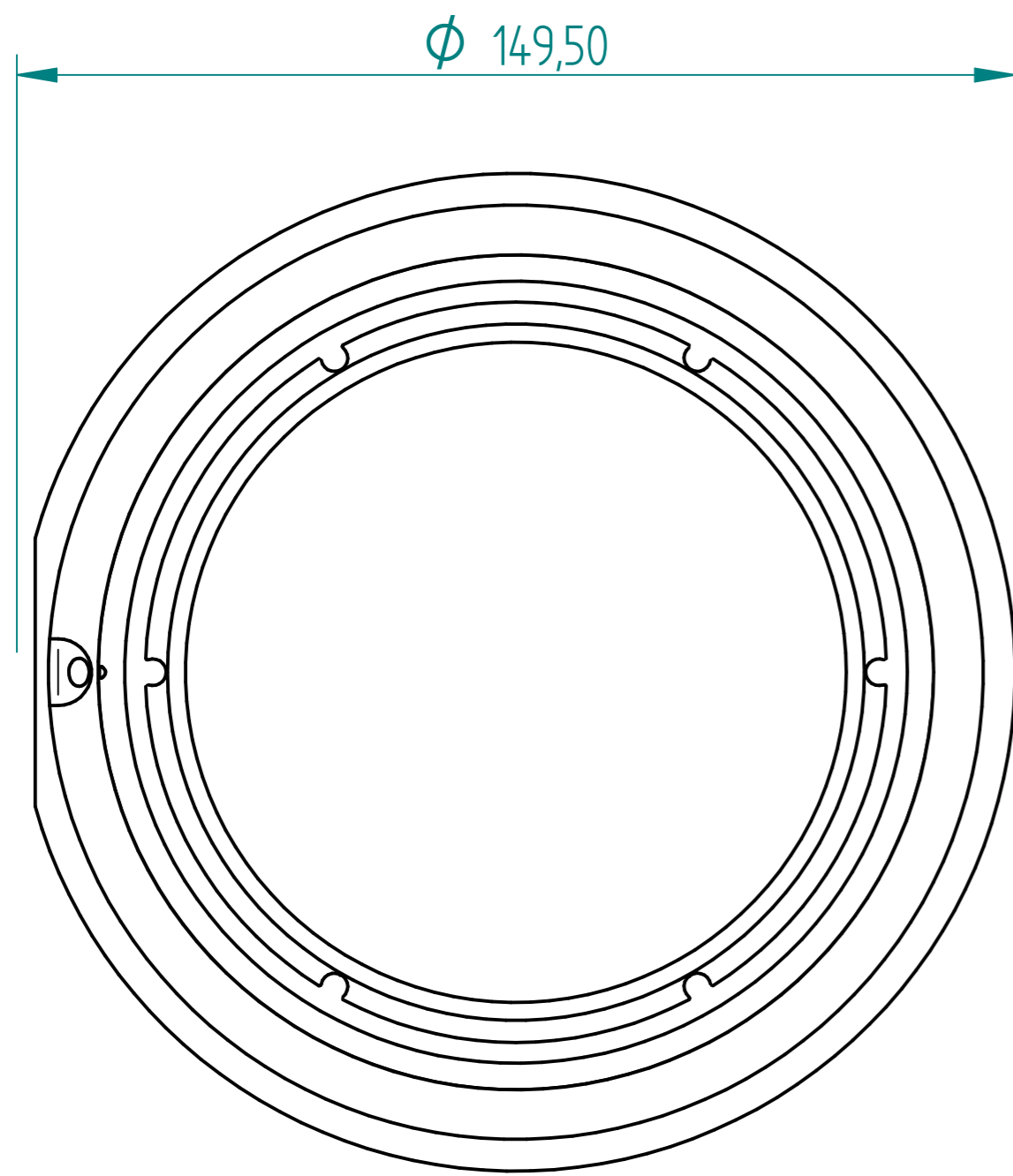
	NAME	DATE	AGRIGEL	
DRAWN	Dan	01/27/18		
APPROVED				
MATERIAL				
TREATMENT			TITLE	
UNLESS OTHERWISE SPECIFIED DIMENSIONS ARE IN MILLIMETERS			SIZE A4	DWG NO
1st ANGLE 2 PL ±0.02 3 PL ±0.005			FILE NAME: PJP125X32 WC-ND Mould.dft	REV
			SCALE:	WEIGHT:
			SHEET 6 OF 10	

REVISION HISTORY			
REV	DESCRIPTION	DATE	APPROVED

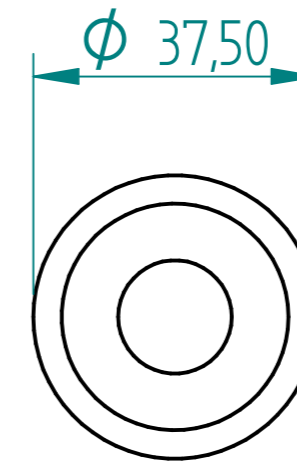
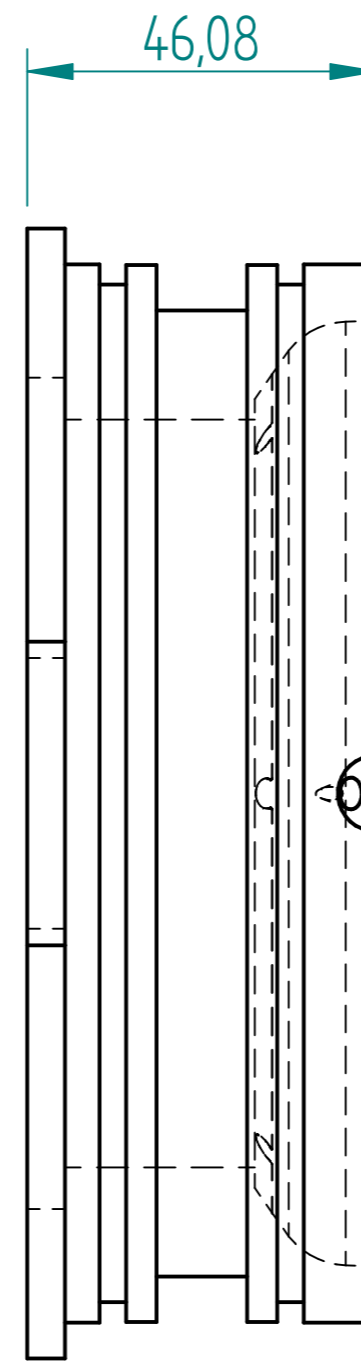


	NAME	DATE	AGRIGEL	
DRAWN	Dan	01/27/18		
APPROVED				
MATERIAL				
TREATMENT			TITLE	
UNLESS OTHERWISE SPECIFIED DIMENSIONS ARE IN MILLIMETERS			SIZE A4	DWG NO
1st ANGLE ANGLES ±0.1°			FILE NAME: PJP125X32 WC-ND Mould.dft	REV
2 PL ±0.02 3 PL ±0.005			SCALE:	WEIGHT:
			SHEET 7 OF 10	

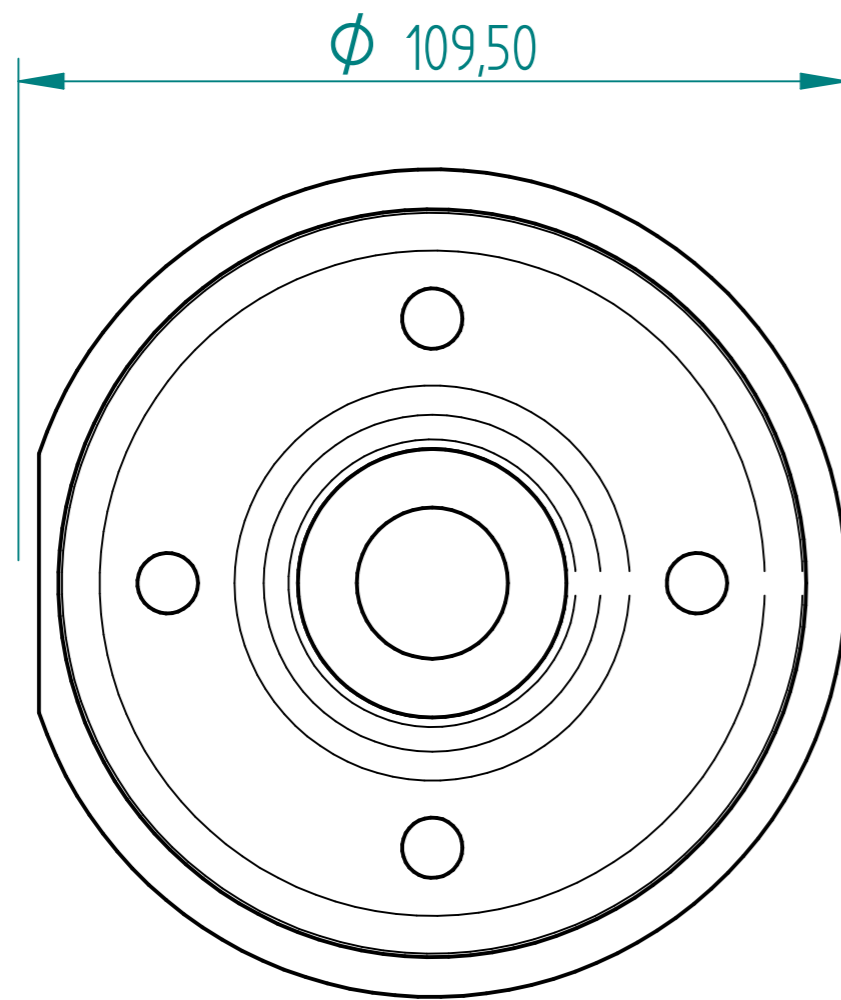
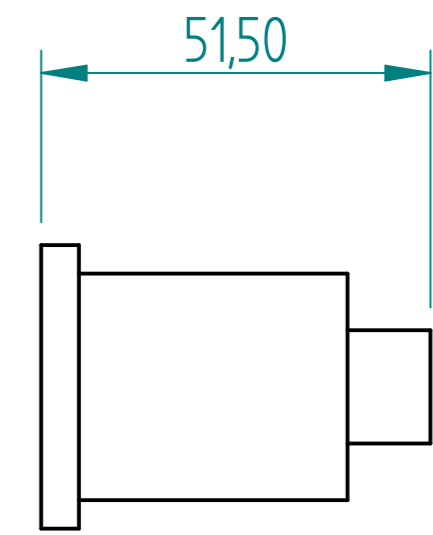
REVISION HISTORY			
REV	DESCRIPTION	DATE	APPROVED



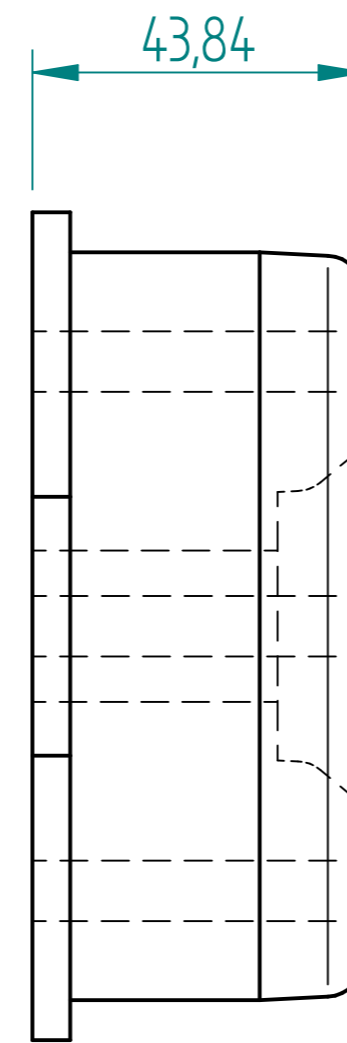
TYRE OUTER INSERT 2 OF



TYRE LOCATING INSERT

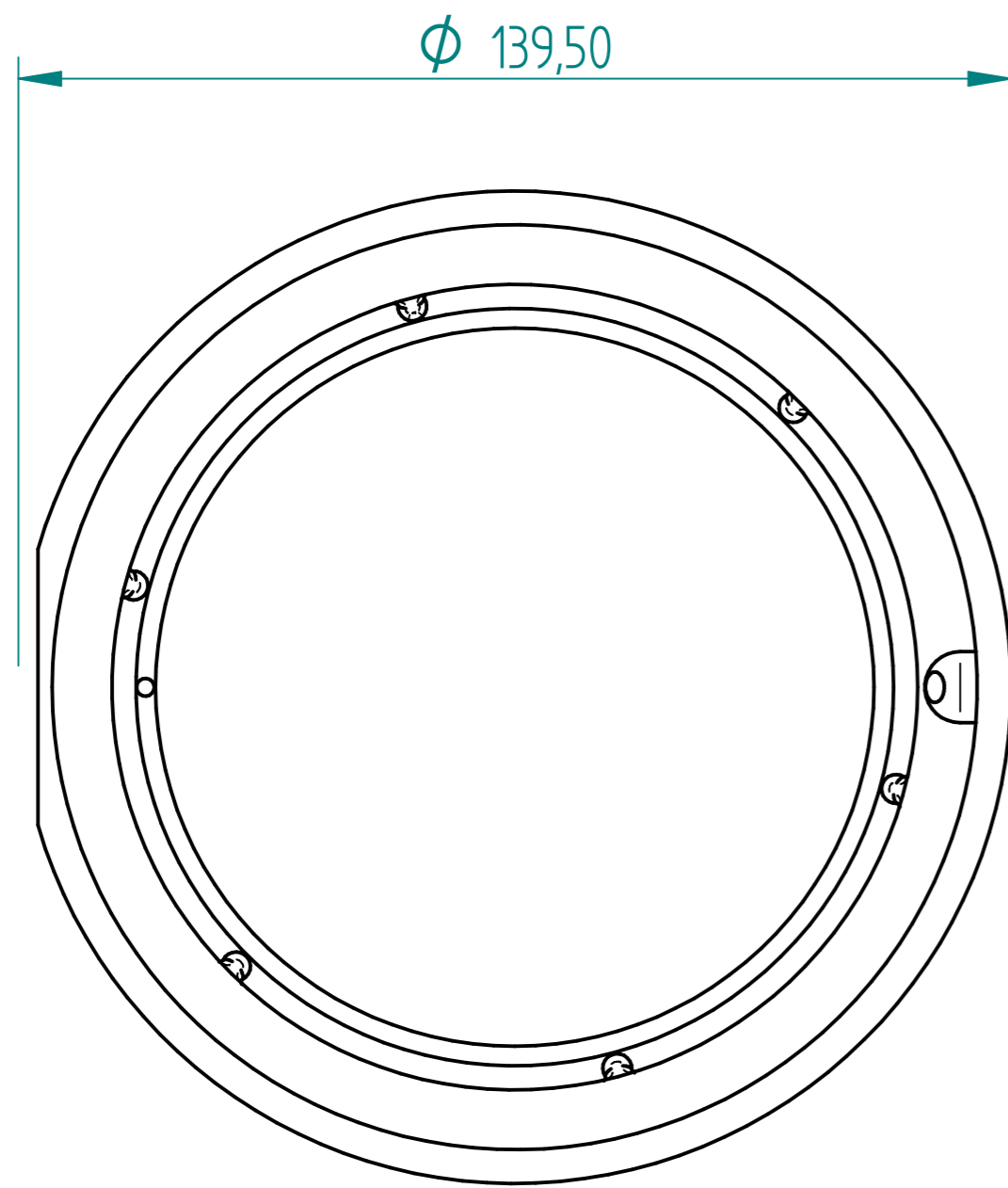


TYRE INNER INSERT 2 OF

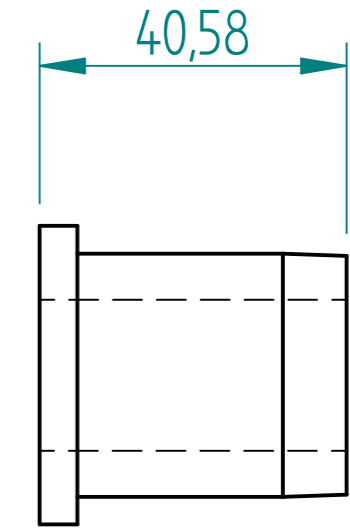
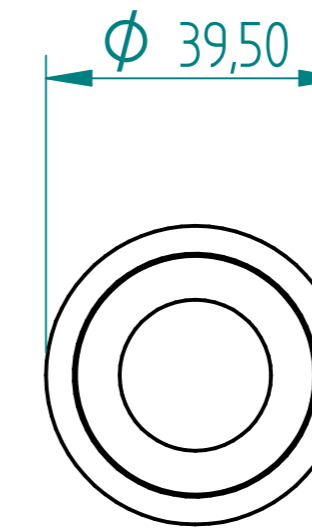
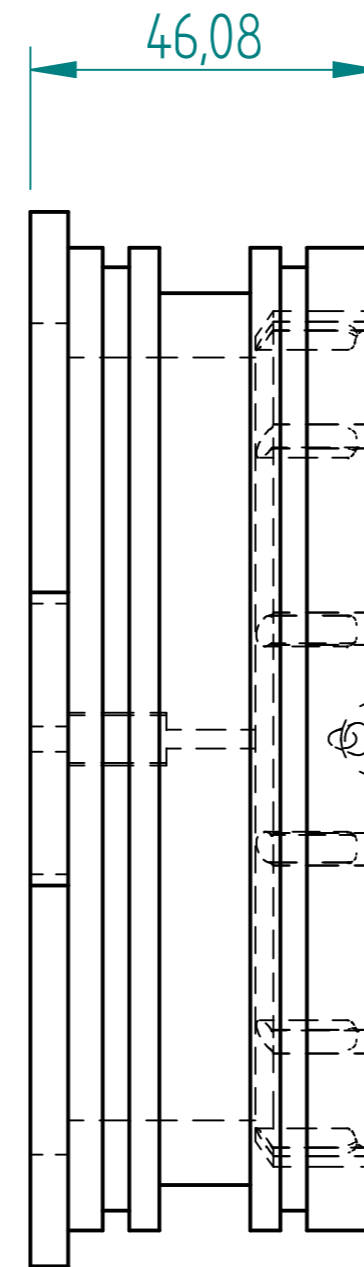


	NAME	DATE	AGRIGEL	
DRAWN	Dan	01/27/18		
APPROVED			TITLE	
MATERIAL				
TREATMENT				
UNLESS OTHERWISE SPECIFIED DIMENSIONS ARE IN MILLIMETERS			SIZE A4	DWG NO
1 st ANGLE ANGLES ±0.1°			FILE NAME: PJP125X32 WC-ND Mould.dft	
2 PL ±0.02 3 PL ±0.005			SCALE:	WEIGHT:
			SHEET 8 OF 10	

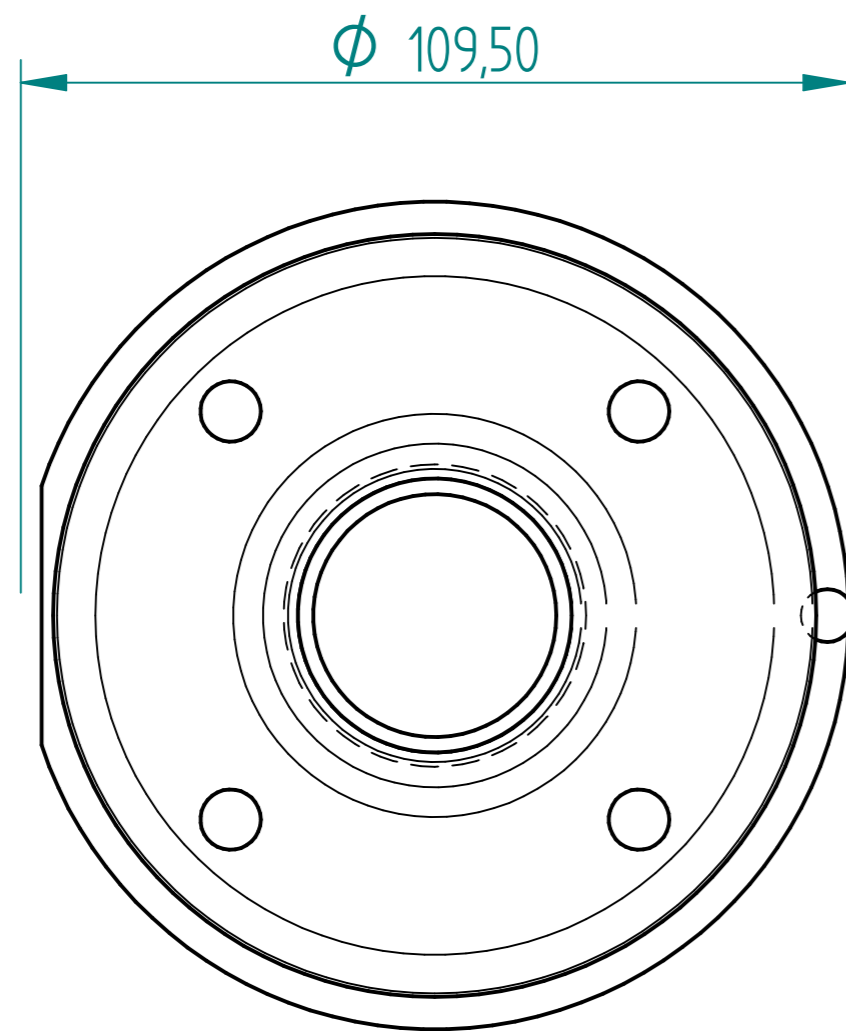
REVISION HISTORY			
REV	DESCRIPTION	DATE	APPROVED



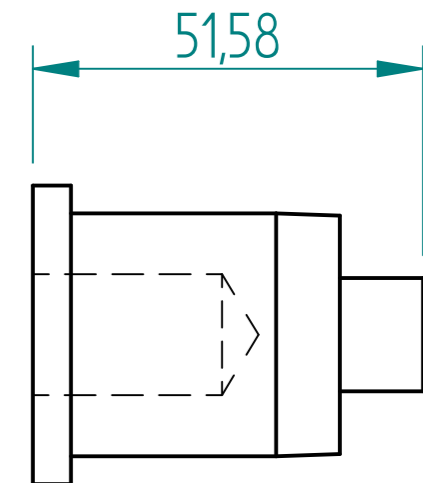
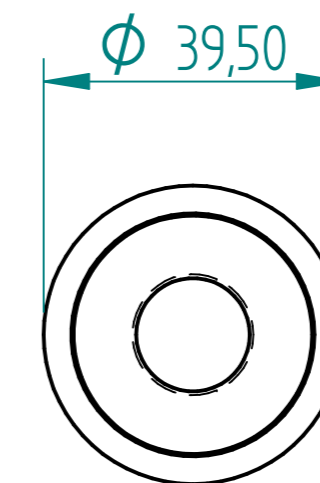
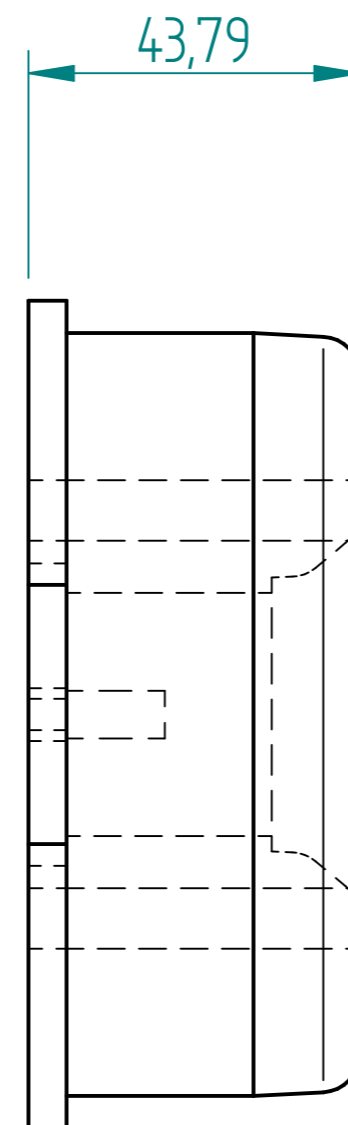
WHEEL CENTRE OUTER INSERT 2 OF



WHEEL CENTRE INNER INSERT



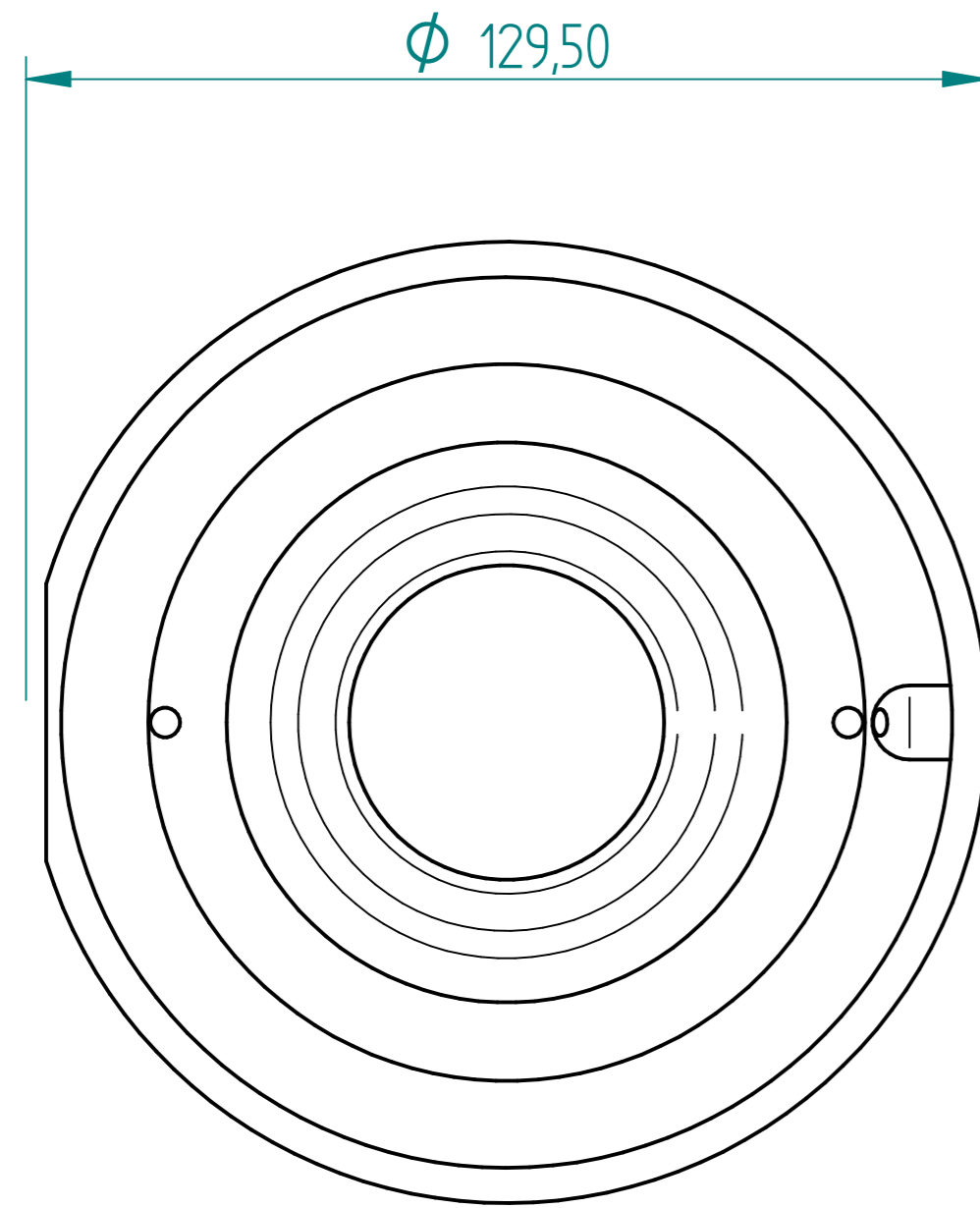
WHEEL CENTRE CENTRE INSERT 2 OF



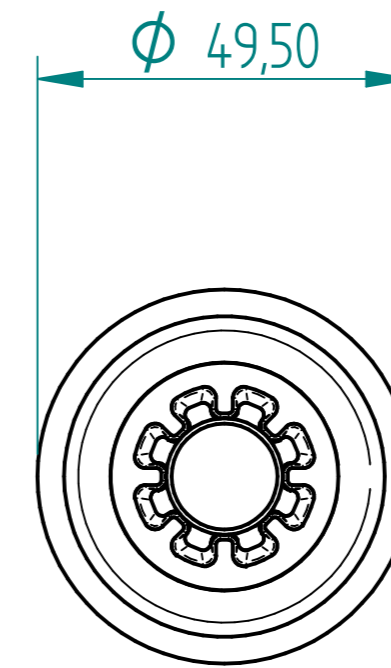
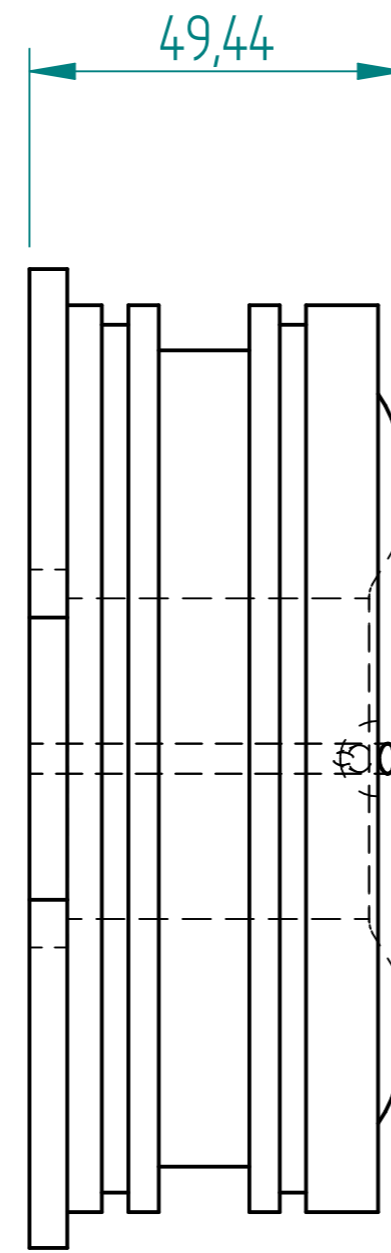
WHEEL CENTRE INNER LOCATING INSERT

	NAME	DATE	AGRIGEL		
DRAWN	Dan	01/27/18			
APPROVED			TITLE		
MATERIAL			SIZE	DWG NO	REV
TREATMENT			A4		
UNLESS OTHERWISE SPECIFIED DIMENSIONS ARE IN MILLIMETERS			FILE NAME: PJP125X32 WC-ND Mould.dft		
1 st ANGLE ANGLES ±0.1°			SCALE:	WEIGHT:	SHEET 9 OF 10
2 PL ±0.02 3 PL ±0.005					

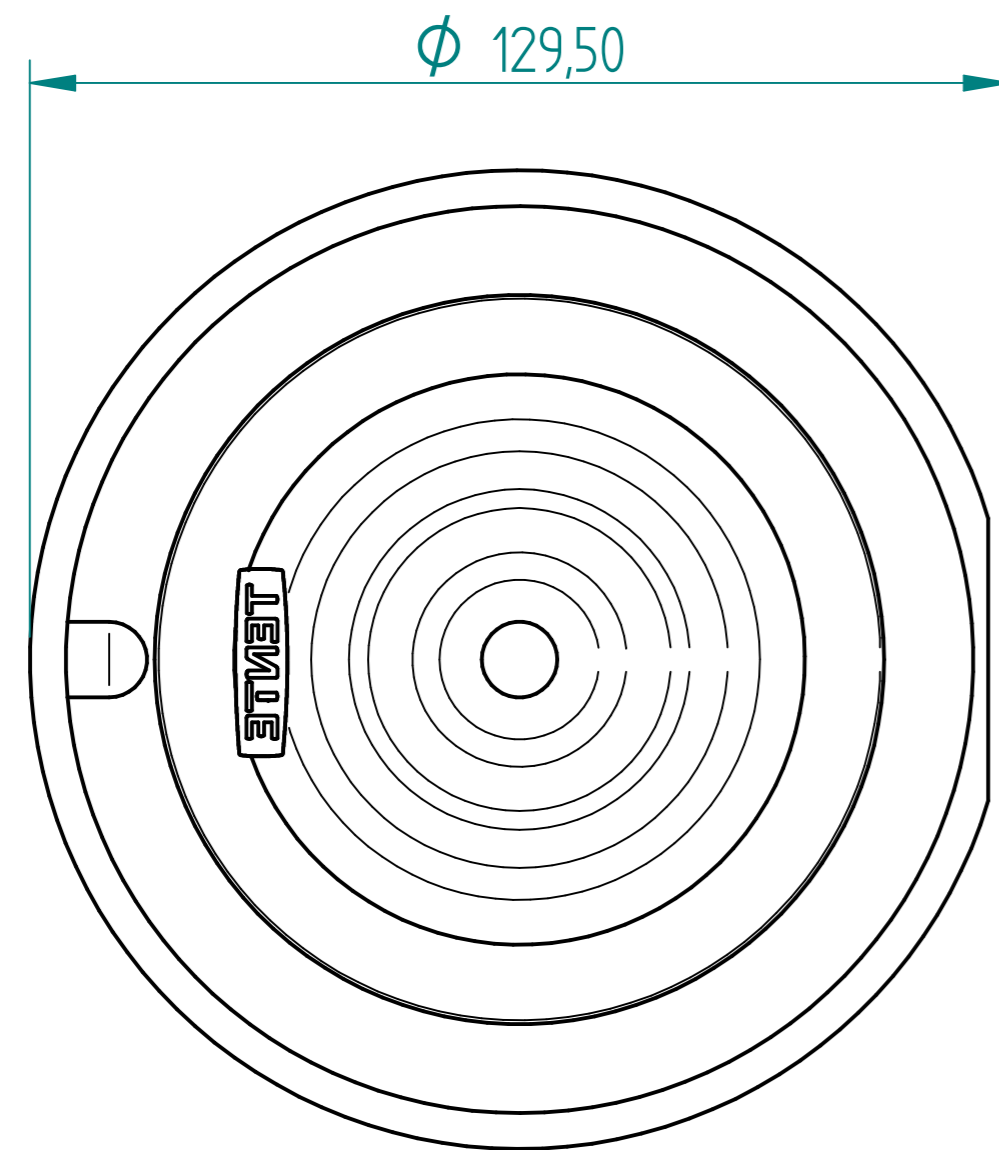
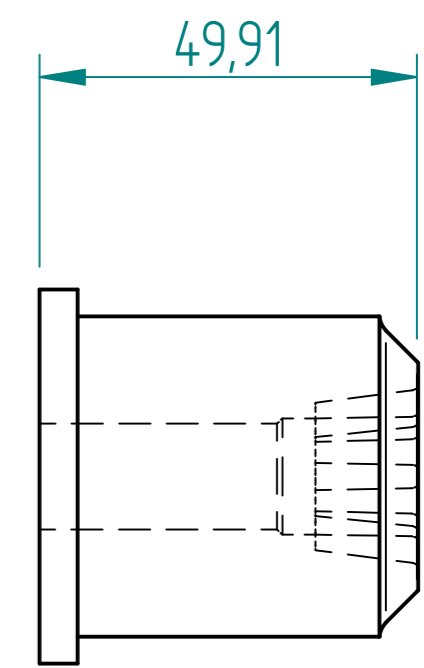
REVISION HISTORY			
REV	DESCRIPTION	DATE	APPROVED



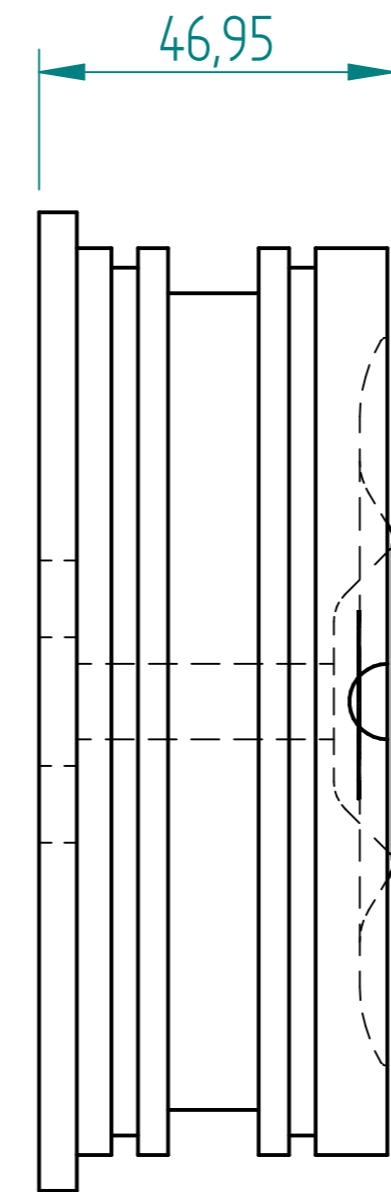
THREAD GUARD MH INSERT



THREAD GUARD MH INNER INSERT



THREAD GUARD FH INSERT



	NAME	DATE	AGRIGEL		
DRAWN	Dan	01/27/18			
APPROVED			TITLE		
MATERIAL					
TREATMENT			SIZE	DWG NO	REV
UNLESS OTHERWISE SPECIFIED DIMENSIONS ARE IN MILLIMETERS			A4		
1 st ANGLE ANGLES $\pm 0,1^\circ$			FILE NAME: PJP125X32 WC-ND Mould.dft		
2 PL $\pm 0,02$ 3 PL $\pm 0,005$			SCALE:	WEIGHT:	SHEET 10 OF 10