

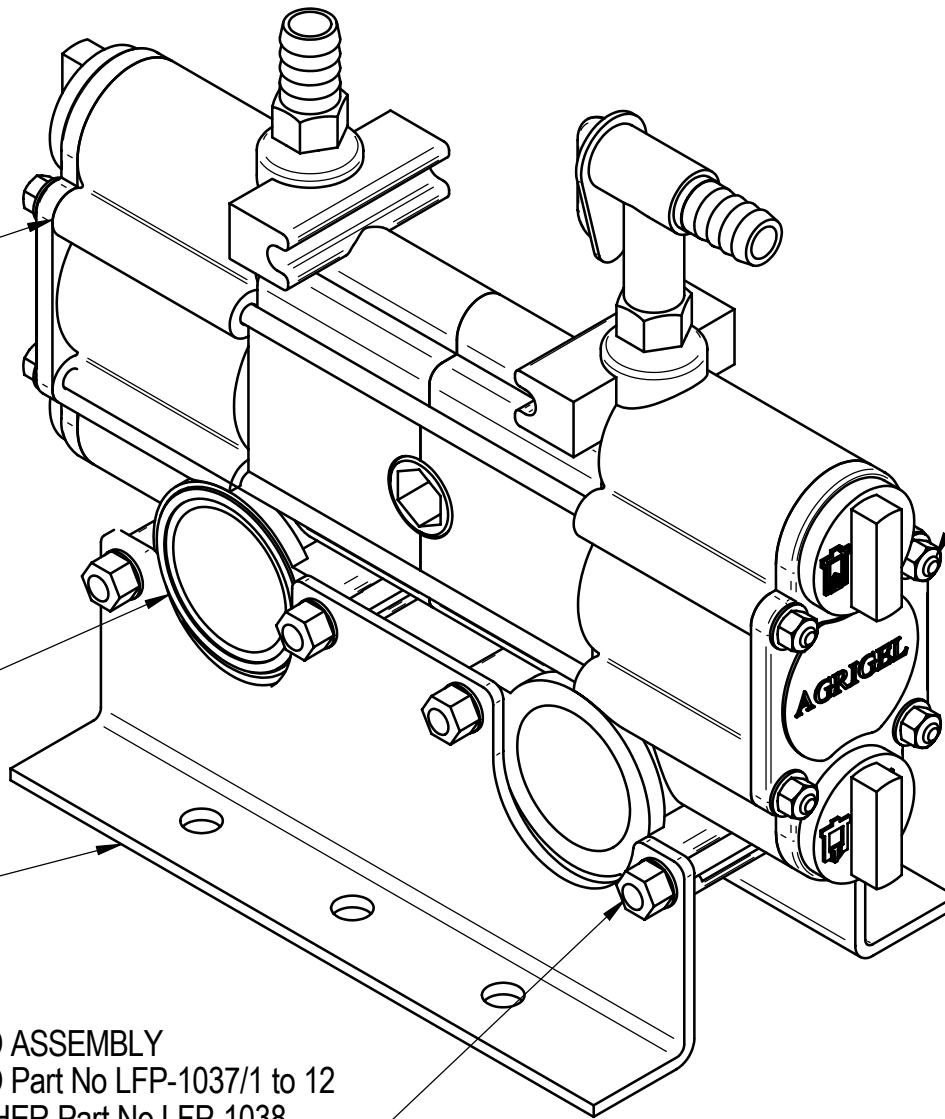
END COVER SPACER
Part No LFP-1034

HOUSING SEAL
Part No LFP-1035

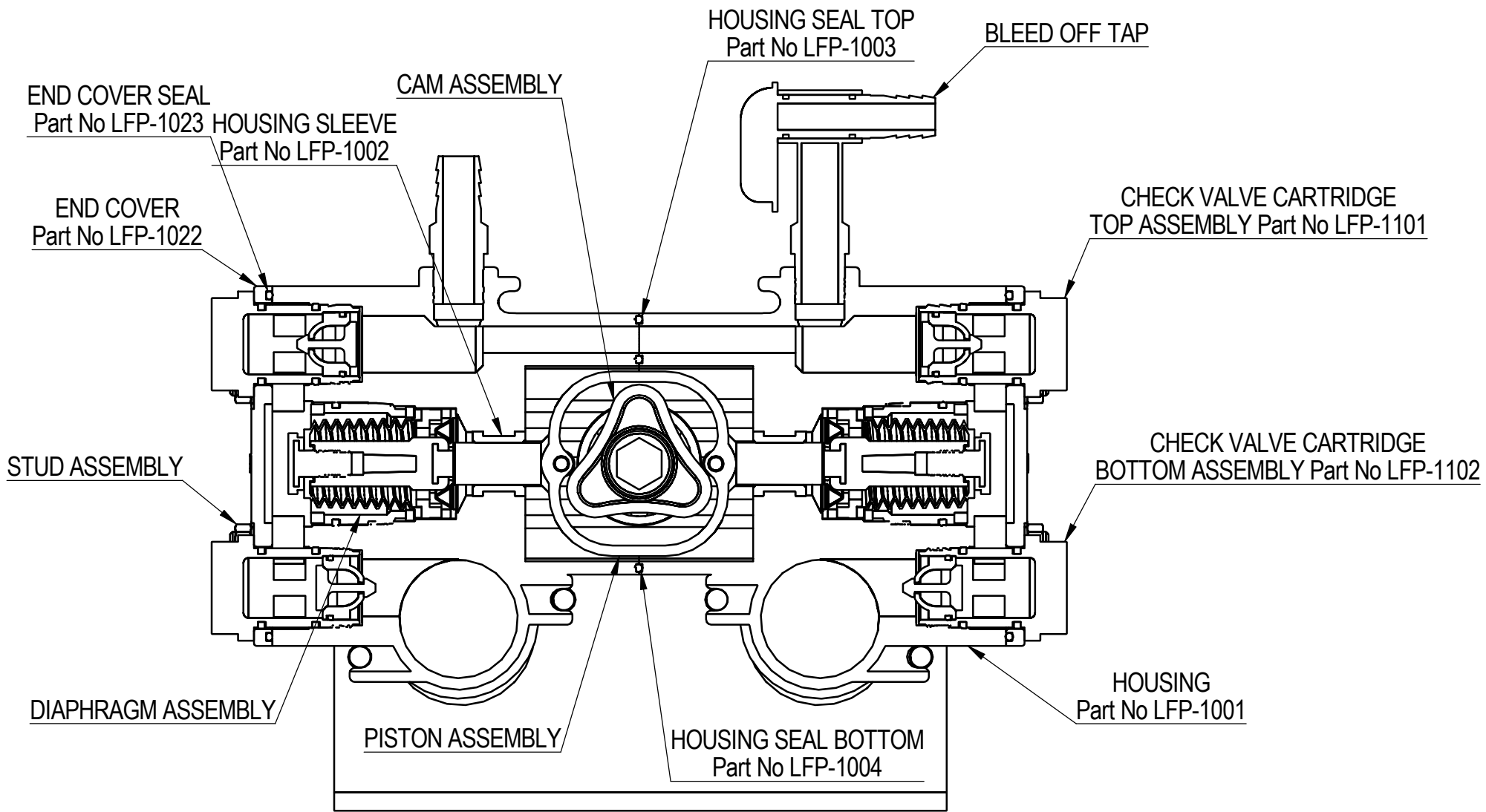
FOOT BRACKET
Part No LFP-1036

M8 STUD ASSEMBLY
M8 STUD Part No LFP-1037/1 to 12
M8 WASHER Part No LFP-1038
M8 NUT Part No LFP-1039

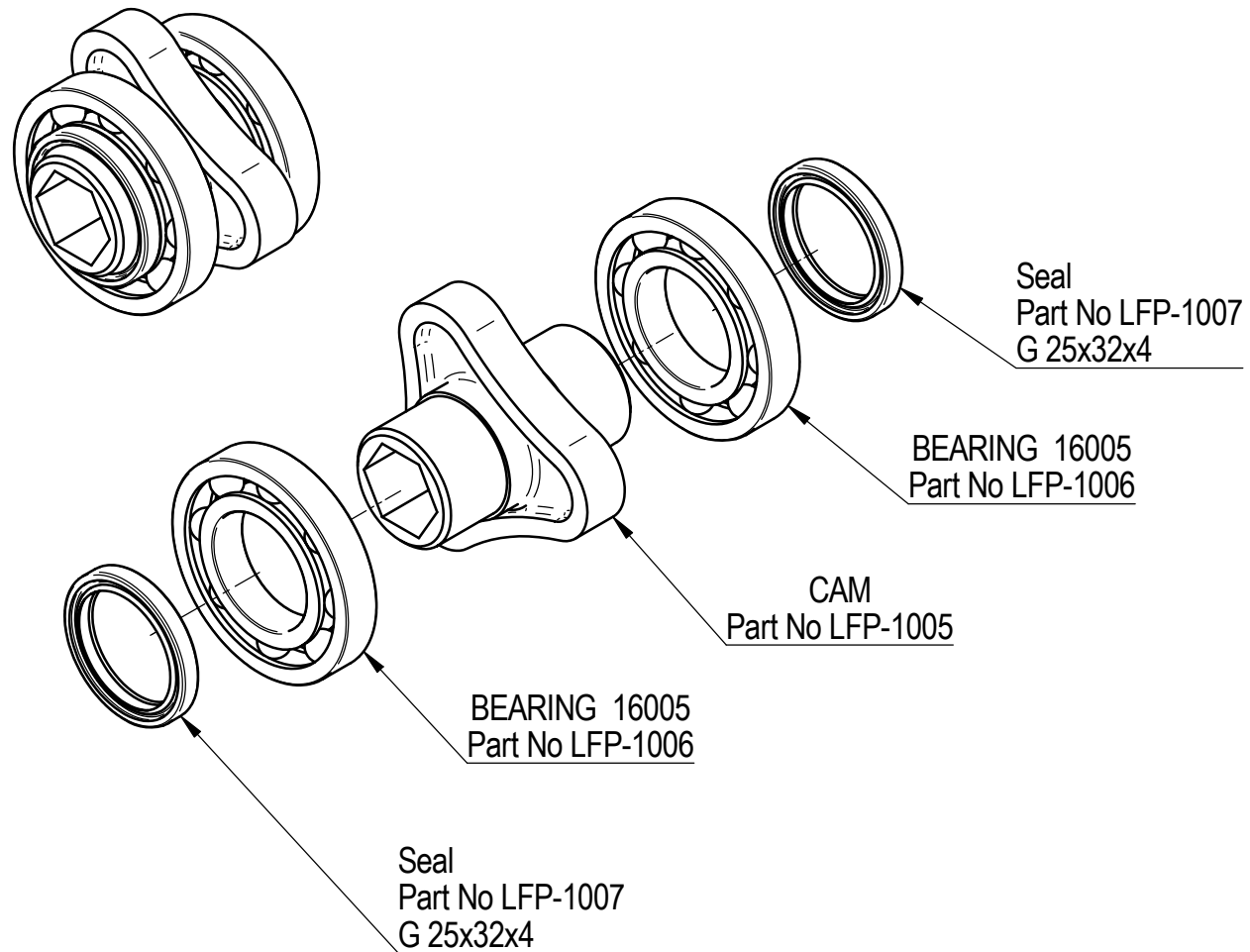
M6 STUD ASSEMBLY
M6 STUD Part No LFP-1031
M6 WASHER Part No LFP-1032
M6 LOCK NUT Part No LFP-1033



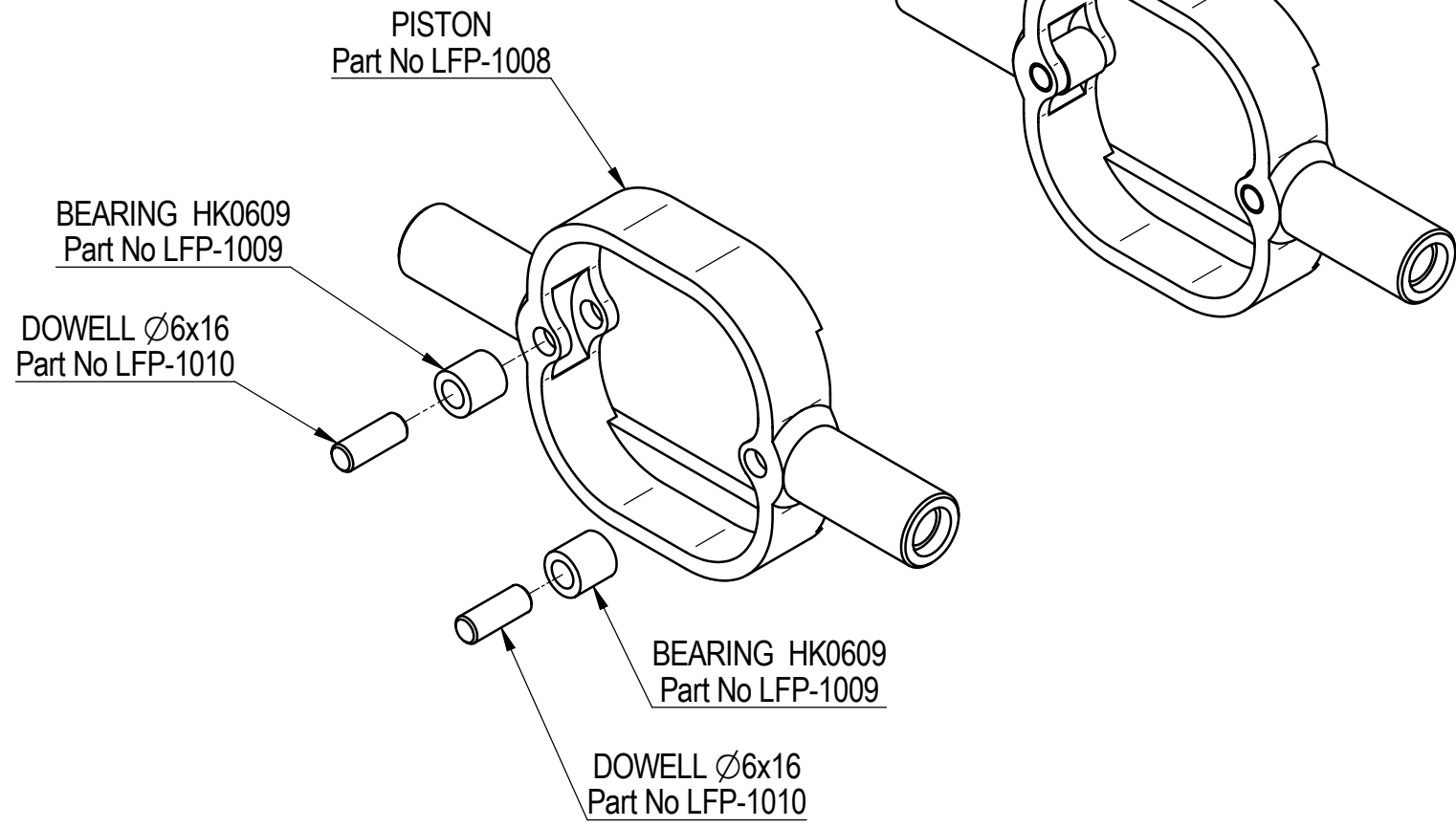
RE	MATERIAL	TREATMENT	SHEET	OF	DATE	DRAWN	APPROVED
1	AGRIGEL						
DESCRIPTION			PUMP SECTION ISO				
PART No							
						SCA	
						LE	



RE	MATERIAL	TREATMENT	SHEET	OF	DATE	DRAWN	APPROVED
1:1 ANGLE 	AGRIGEL		DESCRIPTION		LIQUID FERTILIZER PUMP		
	(PTYLTD)		PART No			SCA	LE



RE	MATERIAL	TREATMENT	SHEET	OF	DATE	DRAWN	APPROVED
V	AGRIGEL (PTYLTD)						
DESCRIPTION			CAM ASSEMBLY				
PART No					SCALE		
					LE		



RE	MATERIAL	TREATMENT	SHEET	OF	DATE	DRAWN	APPROVED
V	AGRIGEL						
DESCRIPTION			PISTON ASSEMBLY				
PART No							
						SCA	
						LE	

(BACK DIAPHRAGM
OUTER RING)
Part No LFP-1020

BACK DIAPHRAGM
Contains LFP-1020
Part No LFP-1012

DIAPHRAGM SPACER RING
Part No LFP-1013

(M10 BOLT)
Part No LFP-1019

DIAPHRAGM
Part No LFP-1014

(M10 BOLT)
Part No LFP-1019

PISTON EXTENSION
Contains LFP-1019
Part No LFP-1011

DIAPHRAGM BOLT
Contains LFP-1019
Part No LFP-1015

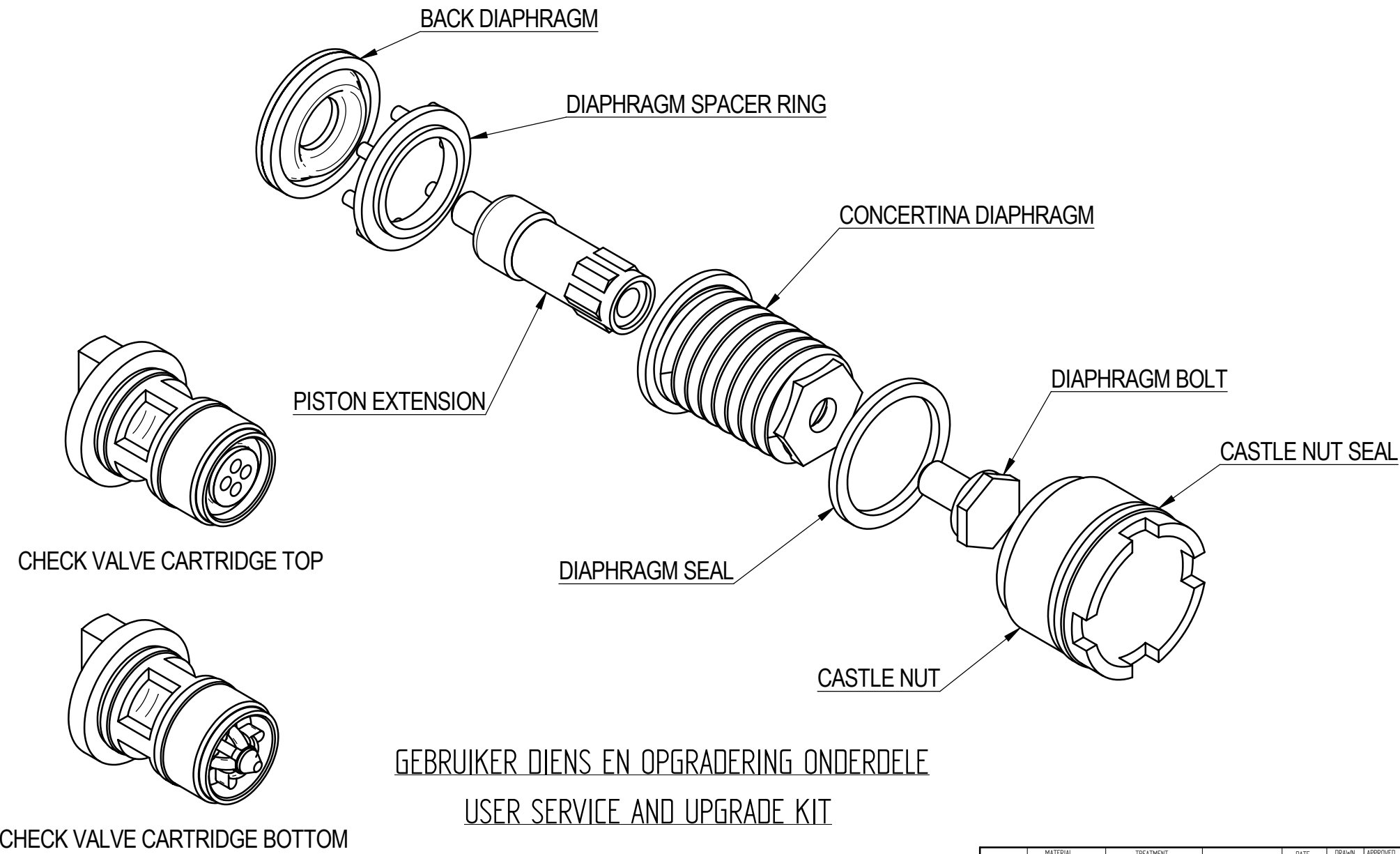
CASTLE NUT SEAL
Part No LFP-1018

DIAPHRAGM SEAL
Part No LFP-1016

CASTLE NUT
Part No LFP-1017

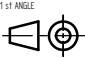
DIAPHRAGM ASSEMBLY. PART No :
LFP-1103

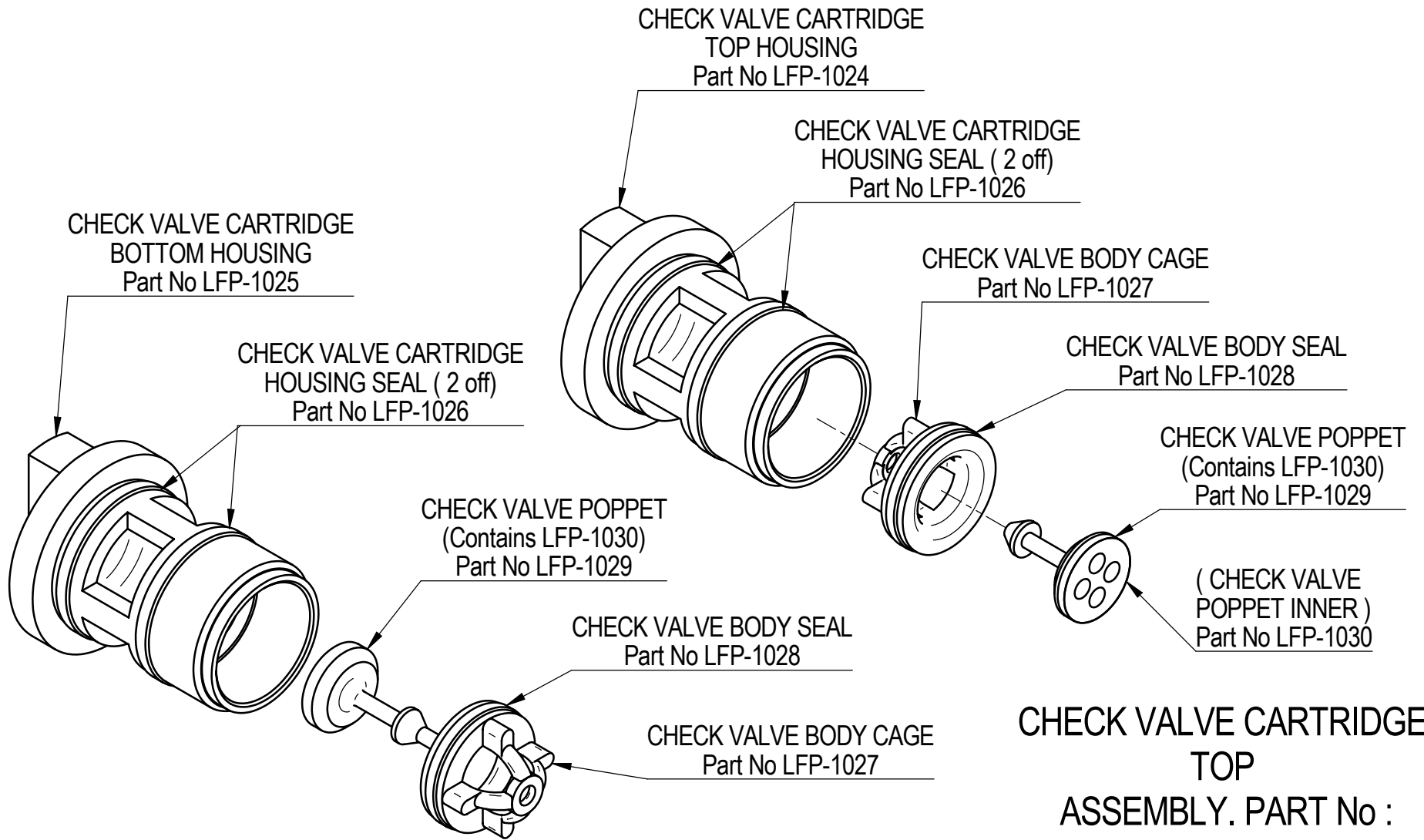
RE	MATERIAL	TREATMENT	SHEET	OF	DATE	DRAWN	APPROVED
V	AGRIGEL (PTYLTD)						
DESCRIPTION			DIAPHRAGM ASSEMBLY				
PART No					SCA LE		



GEBRUIKER DIENS EN OPGRADERING ONDERDELE
 USER SERVICE AND UPGRADE KIT

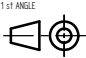
PART No KLFP-2104

RE	MATERIAL	TREATMENT	SHEET	OF	DATE	DRAWN	APPROVED
V							
		AGRIGEL (PTYLTD)		DESCRIPTION PART No			
						SCA	LE



**CHECK VALVE CARTRIDGE
TOP
ASSEMBLY. PART No :
LFP-1101**

**CHECK VALVE CARTRIDGE BOTTOM
ASSEMBLY. PART No : LFP-1102**

RE	MATERIAL	TREATMENT	SHEET	OF	DATE	DRAWN	APPROVED
V	AGRIGEL (PTYLTD)						
		DESCRIPTION CHECK VALVE CARTRIDGES		PART No		SCA	LE