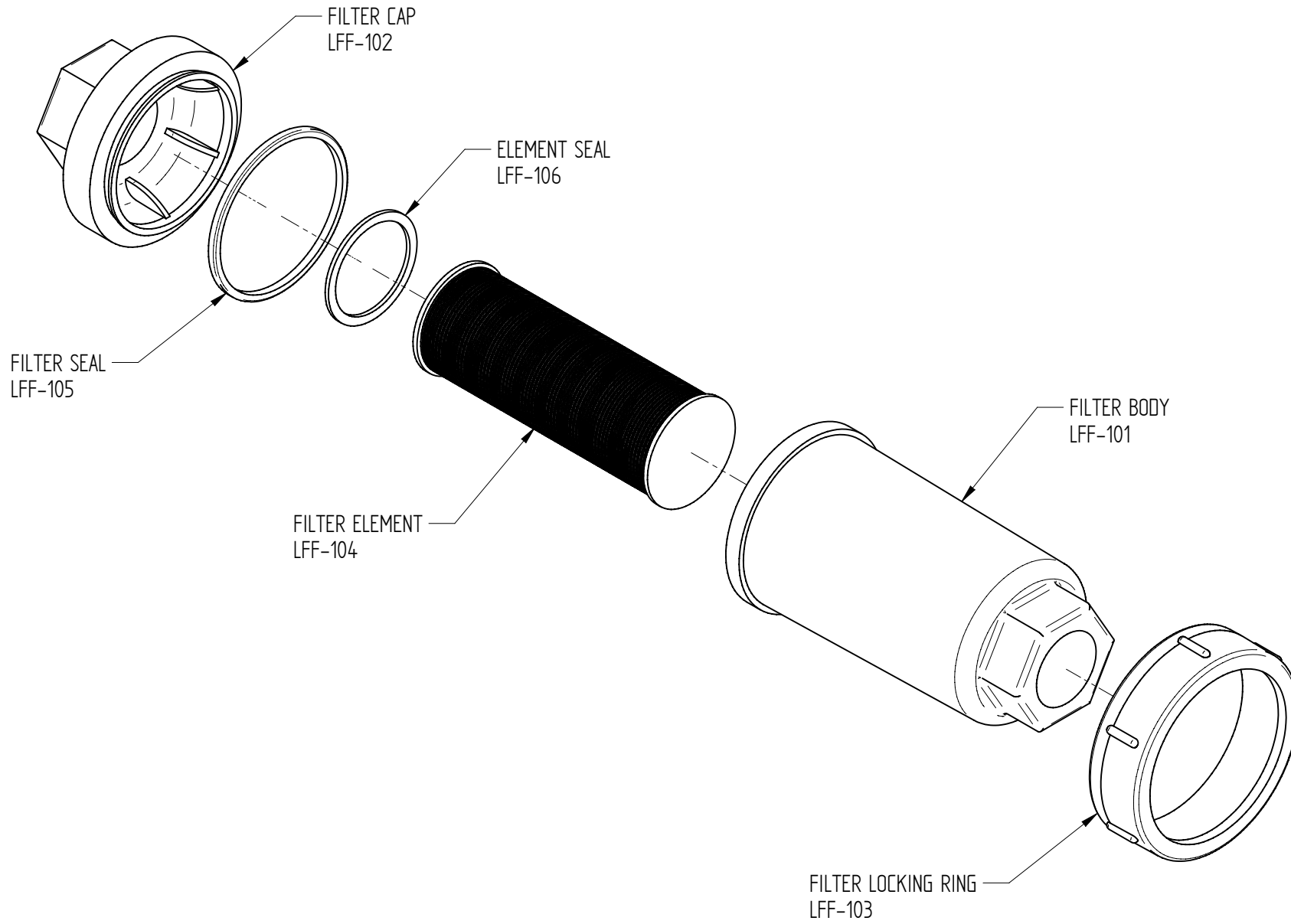


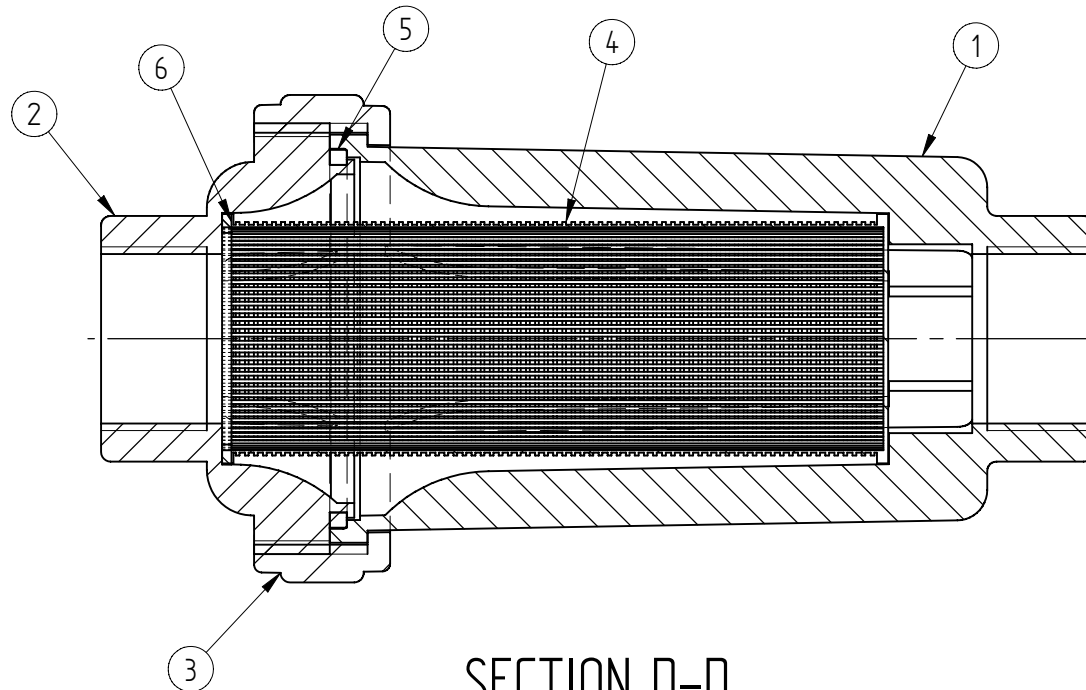
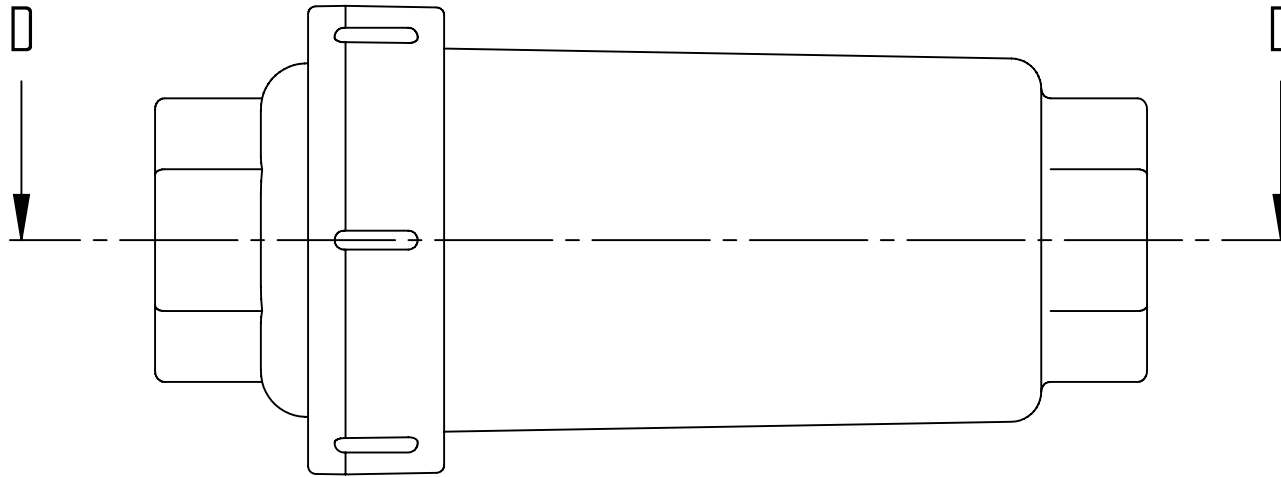
REVISION HISTORY			
REV	DESCRIPTION	DATE	APPROVED



FILTER ASSEMBLY LFF-100

	NAME	DATE	AGRIGEL(PTY)LTD.	
DRAWN	Dan	10/11/06		
APPROVED			TITLE	
MATERIAL			Filter Assembly	
TREATMENT				
UNLESS OTHERWISE SPECIFIED DIMENSIONS ARE IN MILLIMETERS ANGLES ±0.1°			SIZE A2	DWG NO LFF-100
1:1 MBE			FILE NAME: Filter.dft	
2 PL ±0.02 3 PL ±0.005			SCALE	WEIGHT: SHEET 1 OF 8

REVISION HISTORY			
REV	DESCRIPTION	DATE	APPROVED



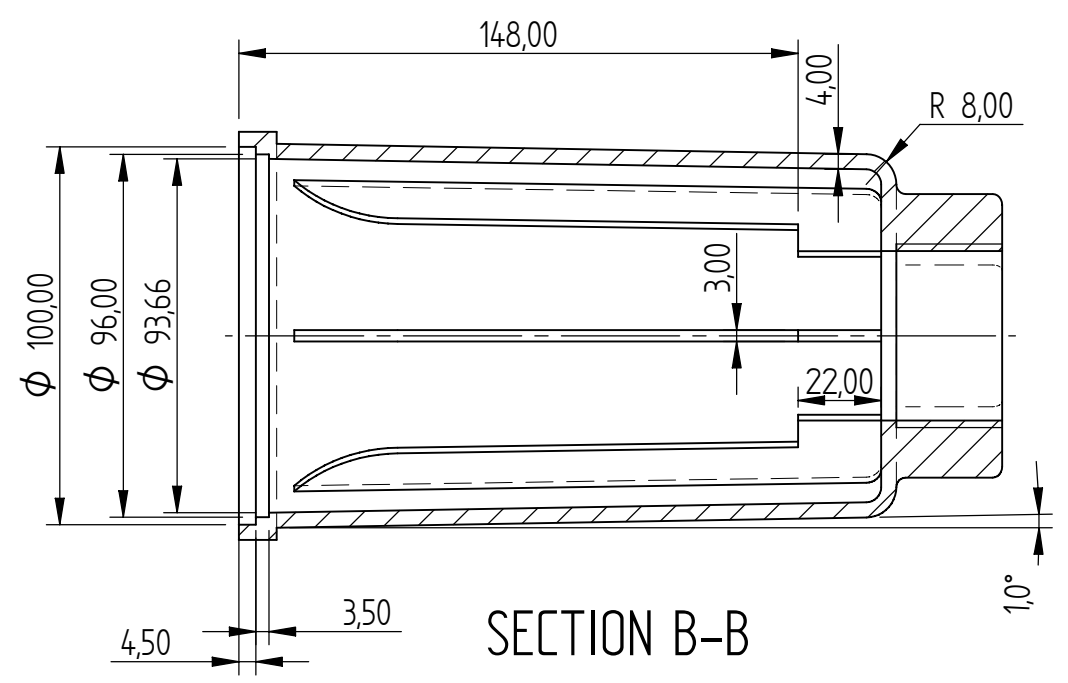
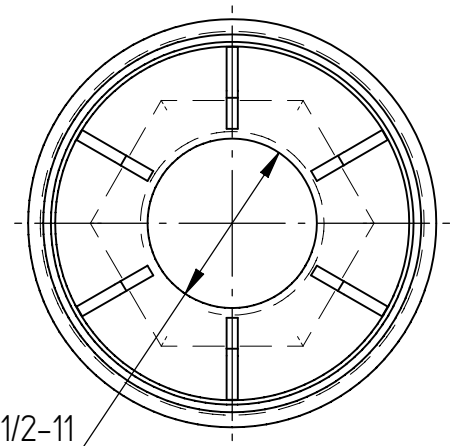
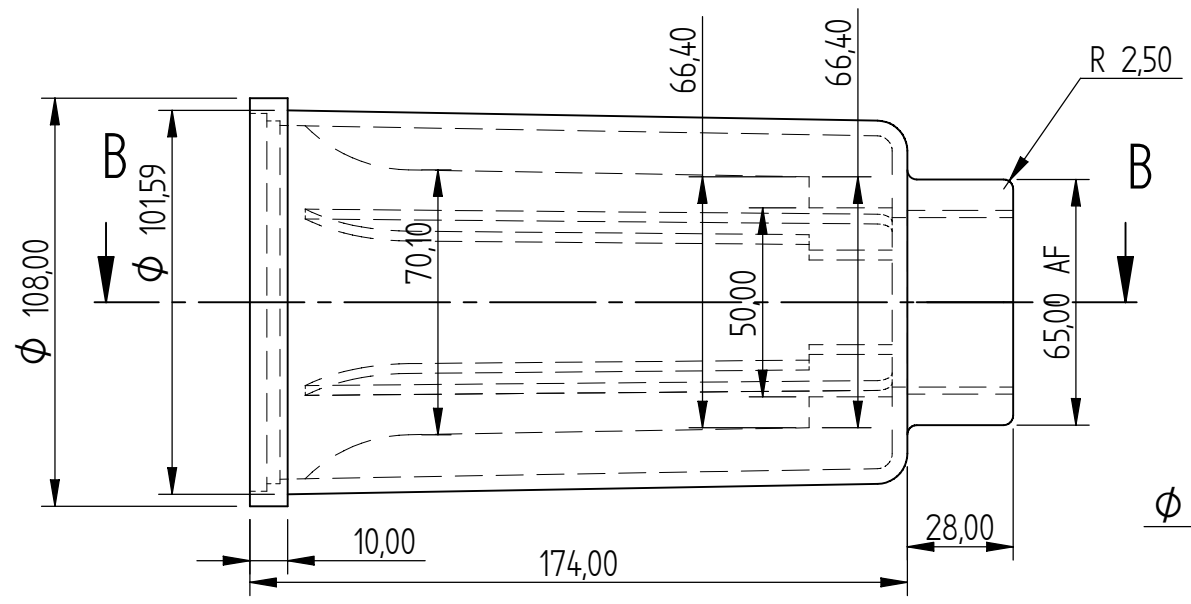
SECTION D-D

Item Number	Document Number	Title	Material
1	LFF-101	FILTER BODY	Glass Filled Poly Prop
2	LFF-102	FILTER CAP	Glass Filled Poly Prop
3	LFF-103	FILTER LOCKING RING	Glass Filled Poly Prop
4	LFF-104	FILTER ELEMENT	Poly Prop
5	LFF-105	FILTER SEAL	Monpreen ? 63 d
6	LFF-106	ELEMENT SEAL	plastic

FILTER ASSEMBLY LFF-100

DRAWN	NAME	DATE	AGRIGEL(PTY)LTD.	
APPROVED	Dan	10/11/06	Filter Assembly	
MATERIAL			SIZE	DWG NO
TREATMENT			A2	LFF-100
UNLESS OTHERWISE SPECIFIED DIMENSIONS ARE IN MILLIMETERS ANGLES ±0.1°			FILE NAME:	REV
1:1 MAG 2 PL ±0.02 3 PL ±0.005			Filter.dft	
SCALE:			WEIGHT:	SHEET 2 OF 8

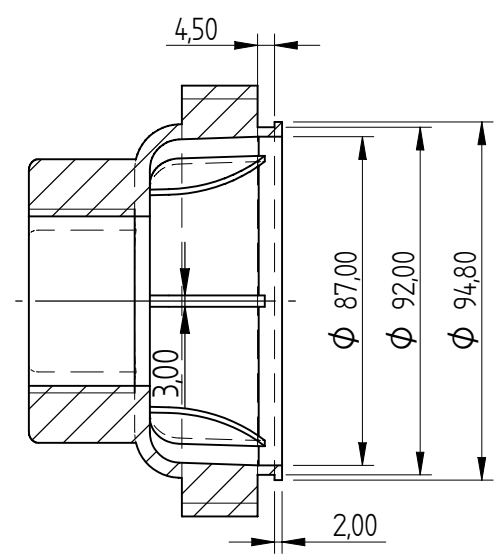
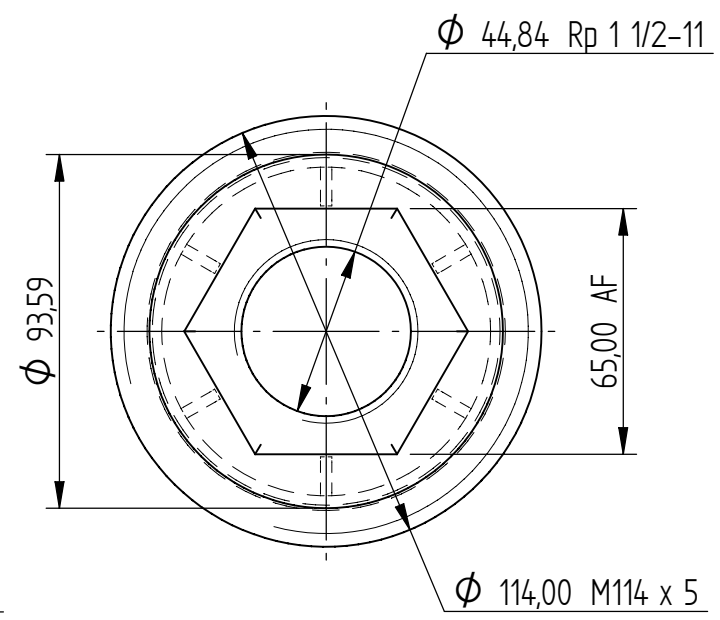
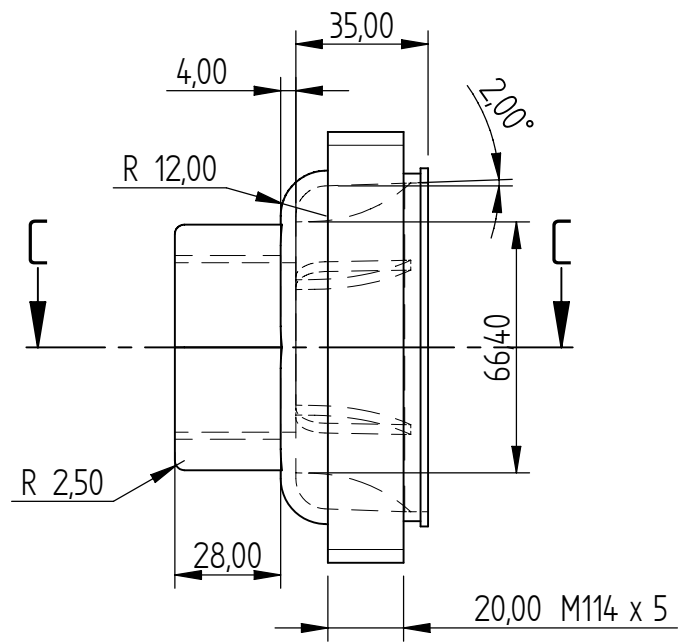
REVISION HISTORY			
REV	DESCRIPTION	DATE	APPROVED



FILTER BODY LFF-101

DRAWN	NAME	DATE	AGRIGEL(PTY)LTD.	
APPROVED	Dan	10/11/06	TITLE	
MATERIAL			Filter Assembly	
TREATMENT			REV	
UNLESS OTHERWISE SPECIFIED DIMENSIONS ARE IN MILLIMETERS ANGLES $\pm 0,1^\circ$			SIZE A2	DWG NO LFF-100
1:1 MAG 2 PL $\pm 0,02$ 3 PL $\pm 0,005$			FILE NAME: Filter.dft	
SCALE:		WEIGHT:	SHEET 3 OF 8	

REVISION HISTORY			
REV	DESCRIPTION	DATE	APPROVED

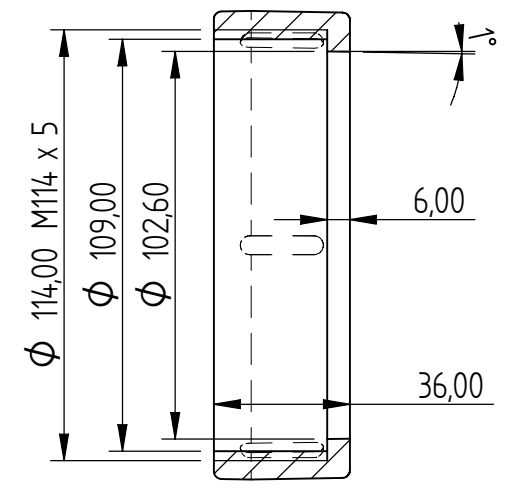
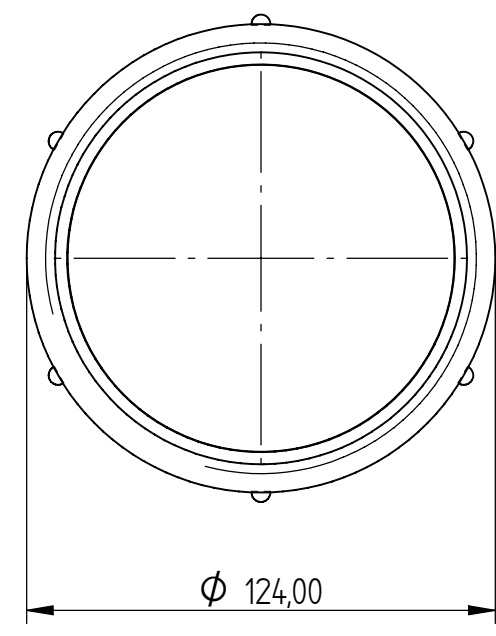
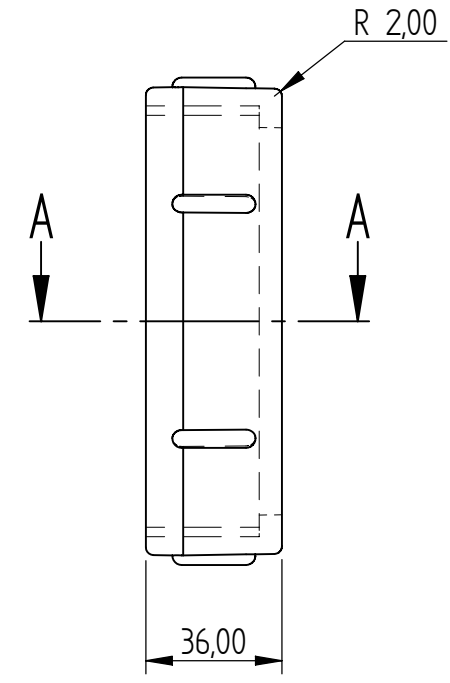


SECTION C-C

FILTER CAP LFF-102

DRAWN	NAME	DATE	AGRIGEL(PTY)LTD.
APPROVED	Dan	10/11/06	
MATERIAL			
TREATMENT			
UNLESS OTHERWISE SPECIFIED DIMENSIONS ARE IN MILLIMETERS ANGLES $\pm 0,1^\circ$			TITLE Filter Assembly
1:1 A3			SIZE DWG NO FILTER CAP LFF-100
2 PL $\pm 0,02$ 3 PL $\pm 0,005$			FILE NAME: Filter.dft
SCALE:		WEIGHT:	SHEET 4 OF 8

REVISION HISTORY			
REV	DESCRIPTION	DATE	APPROVED



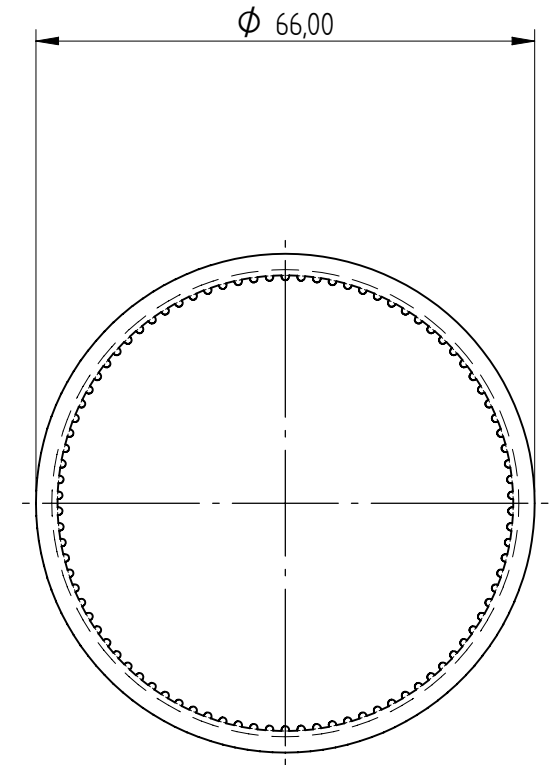
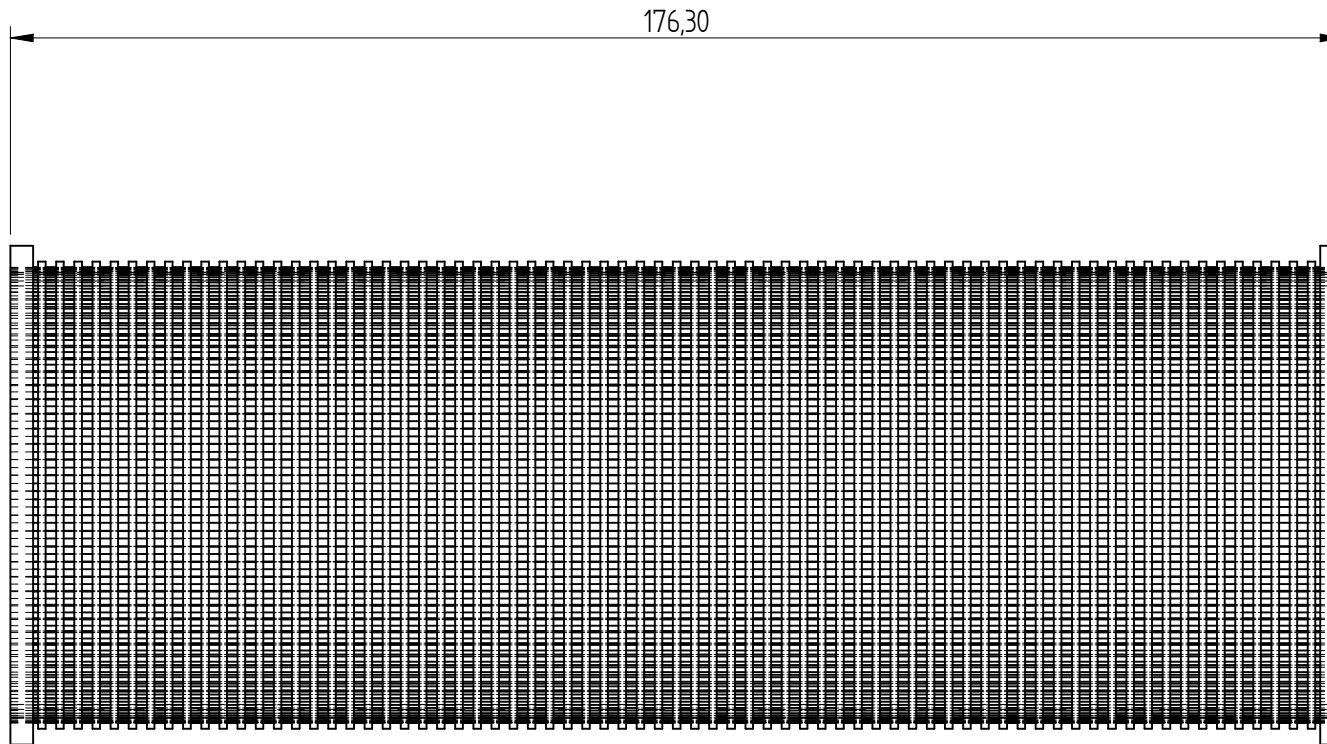
SECTION A-A

FILTER LOCK RING

LFF-103

DRAWN	NAME	DATE	AGRIGEL(PTY)LTD.	
APPROVED	Dan	10/11/06	TITLE	
MATERIAL			Filter Assembly	
TREATMENT				
UNLESS OTHERWISE SPECIFIED DIMENSIONS ARE IN MILLIMETERS ANGLES ±0,1°			SIZE A2	DWG NO LFF-100
1:1 REF 2 PL ±0,02 3 PL ±0,005			FILE NAME: Filter.dft	REV
SCALE:		WEIGHT:	SHEET 5 OF 8	

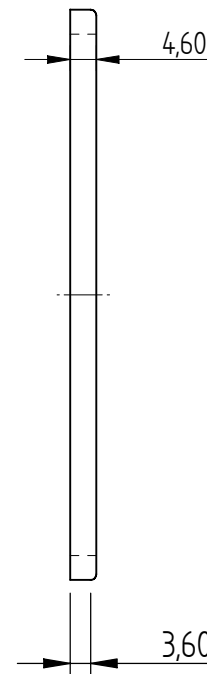
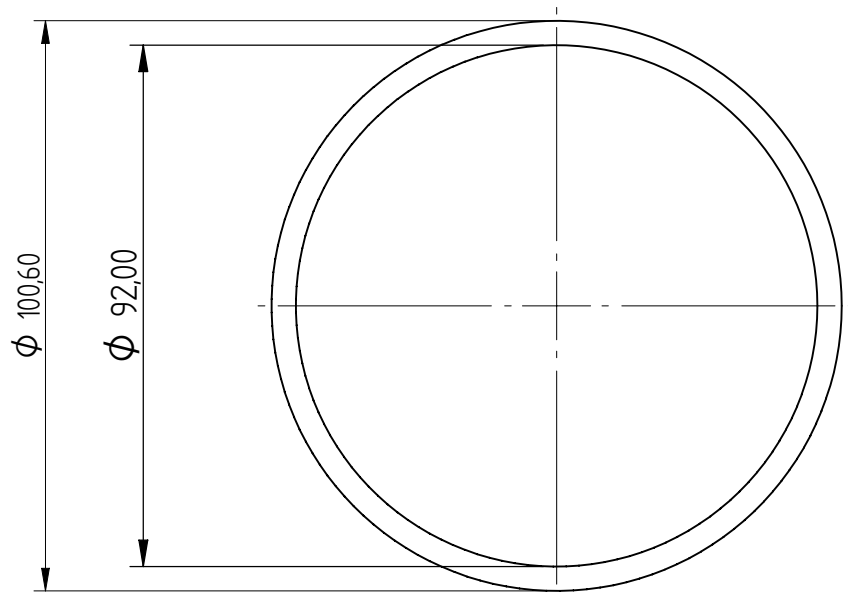
REVISION HISTORY			
REV	DESCRIPTION	DATE	APPROVED



FILTER ELEMENT LFF-104

	NAME	DATE	AGRIGEL(PTY)LTD.	
DRAWN	Dan	10/11/06		
APPROVED			TITLE	
MATERIAL			Filter Assembly	
TREATMENT				
UNLESS OTHERWISE SPECIFIED DIMENSIONS ARE IN MILLIMETERS ANGLES ±0,1°			SIZE A2	DWG NO LFF-100
1:1 ABBE			FILE NAME: Filter.dft	REV
2 PL ±0,02 3 PL ±0,005			SCALE:	WEIGHT:
				SHEET 6 OF 8

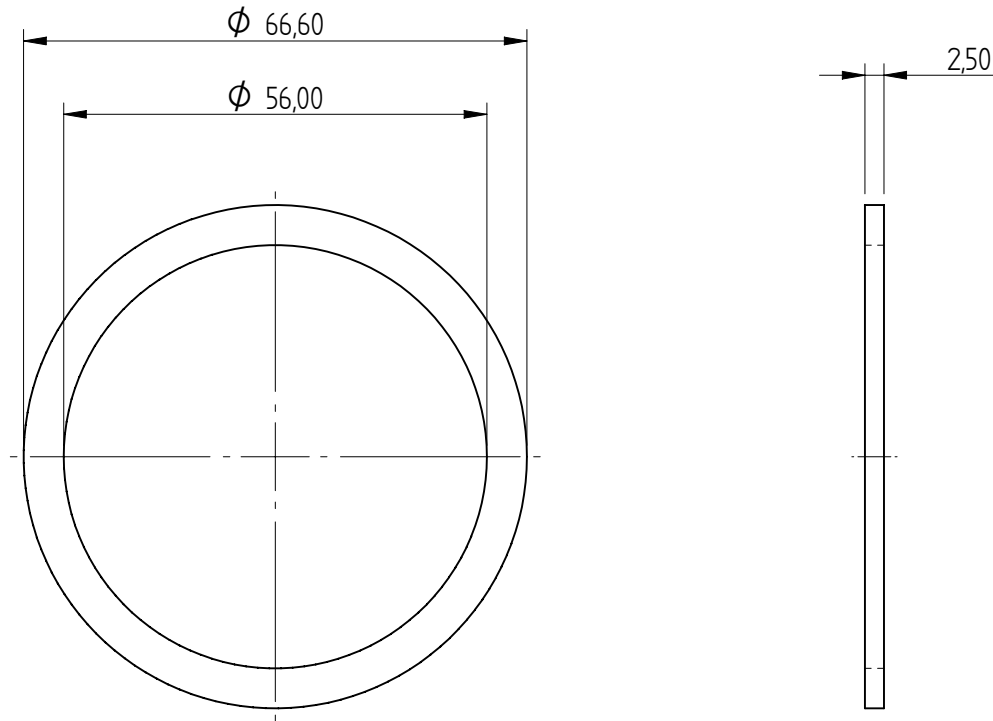
REVISION HISTORY			
REV	DESCRIPTION	DATE	APPROVED



FILTER SEAL LFF-105

	NAME	DATE	AGRIGEL(PTY)LTD.	
DRAWN	Dan	10/11/06		
APPROVED			TITLE	
MATERIAL			Filter Assembly	
TREATMENT				
UNLESS OTHERWISE SPECIFIED DIMENSIONS ARE IN MILLIMETERS ANGLES $\pm 0,1^\circ$			SIZE A2	DWG NO LFF-100
1:1 A3/8F 			FILE NAME: Filter.dft	
2 PL $\pm 0,02$ 3 PL $\pm 0,005$			SCALE:	WEIGHT: SHEET 7 OF 8

REVISION HISTORY			
REV	DESCRIPTION	DATE	APPROVED



ELEMENT SEAL

LFF-106

STILL TO BE MADE

	NAME	DATE	AGRIGEL(PTY)LTD.	
DRAWN	Dan	10/11/06		
APPROVED			TITLE	
MATERIAL			Filter Assembly	
TREATMENT				
UNLESS OTHERWISE SPECIFIED DIMENSIONS ARE IN MILLIMETERS ANGLES ±0,1°			SIZE A2	DWG NO LFF-100
1:1 REF 			FILE NAME: Filter.dft	
2 PL ±0,02 3 PL ±0,005			SCALE:	WEIGHT: SHEET 8 OF 8