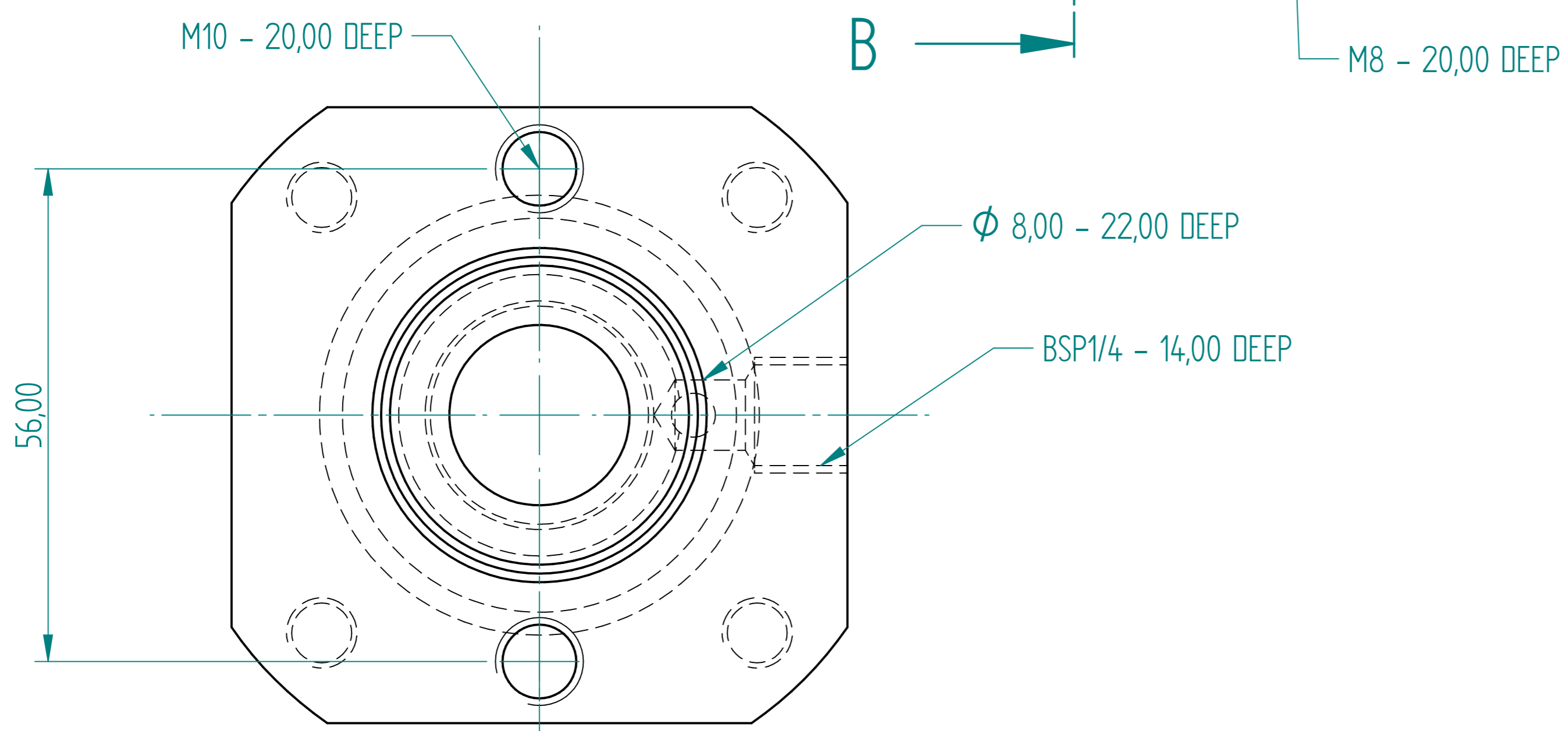
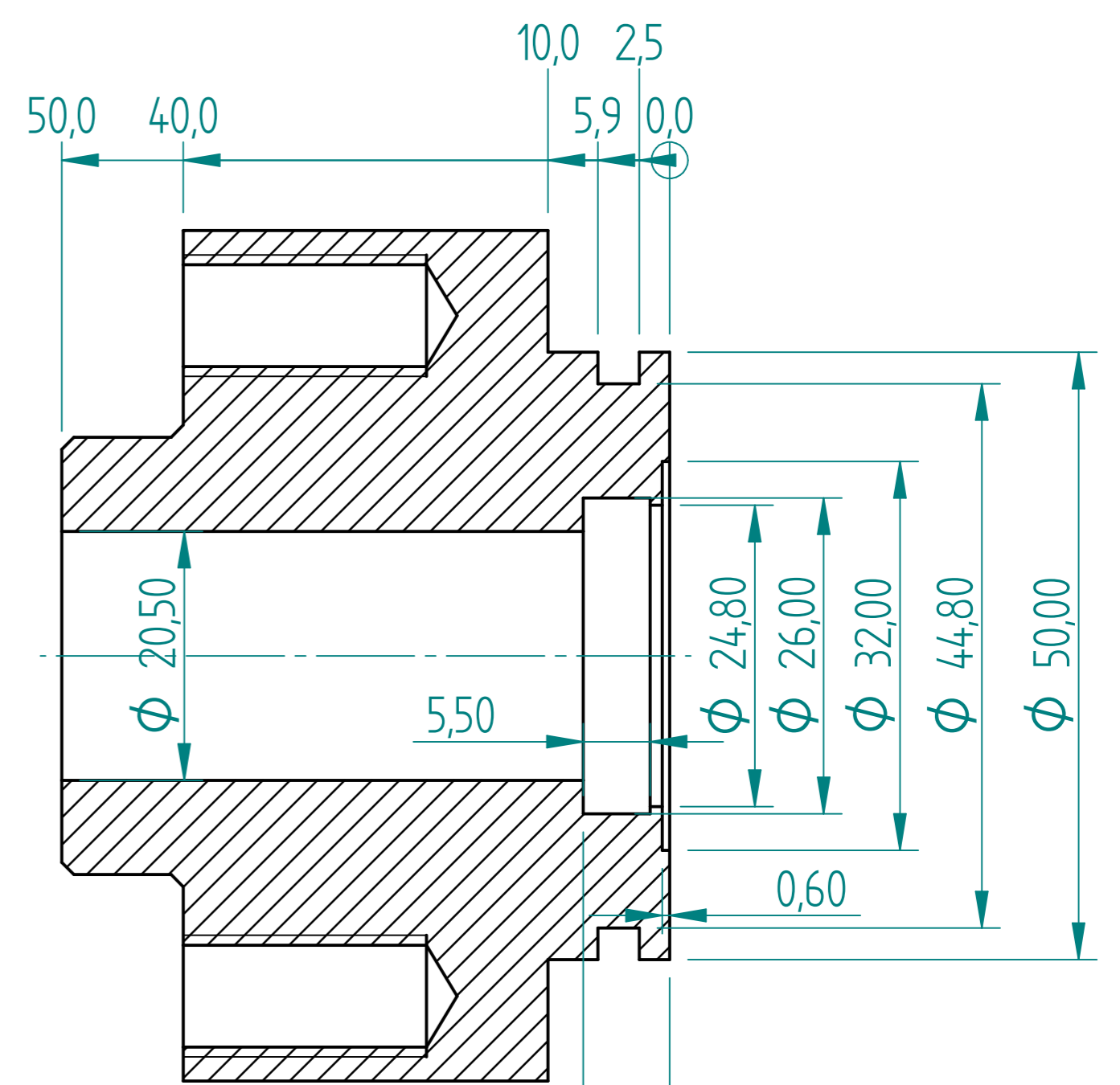
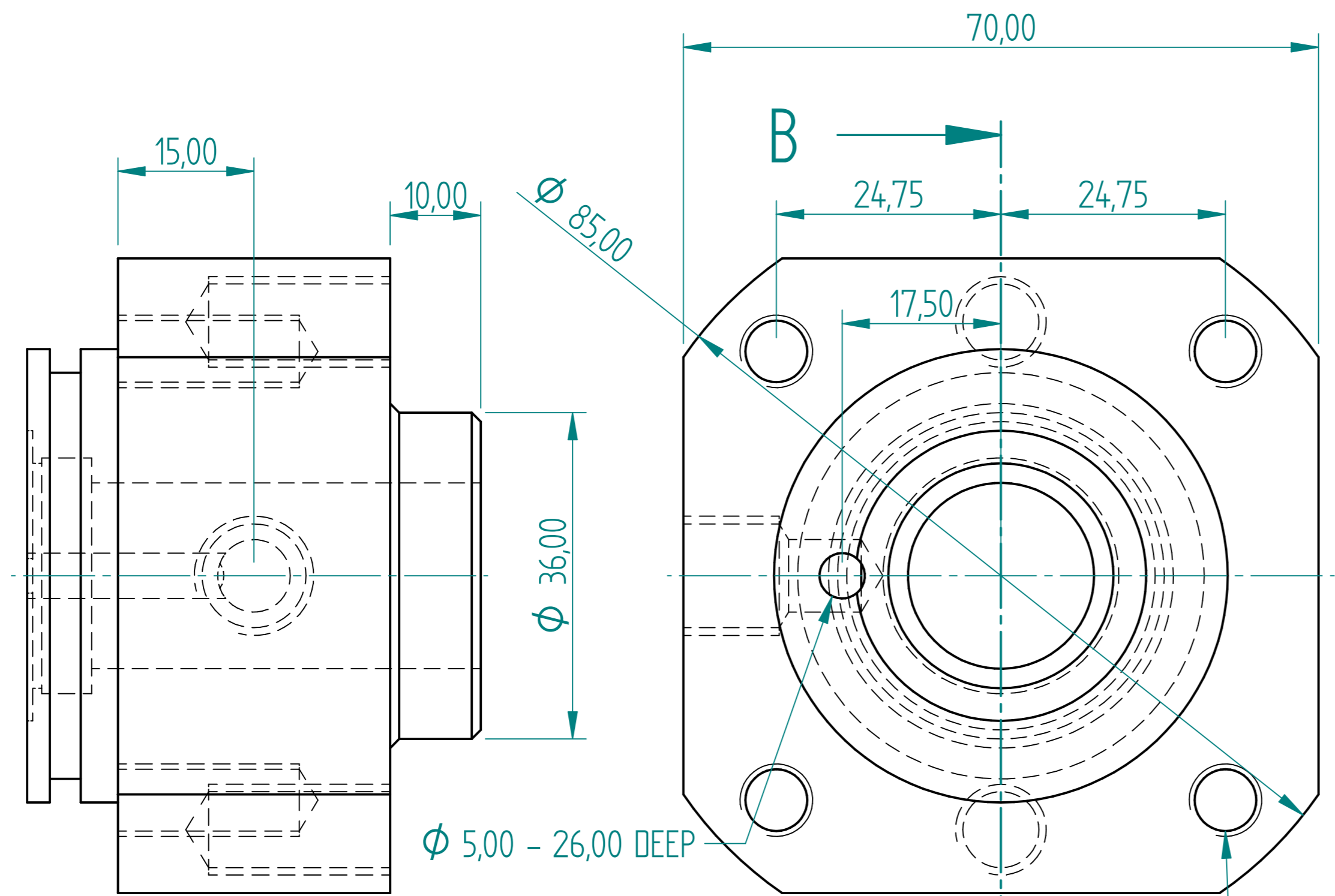


REVISION HISTORY			
REV	DESCRIPTION	DATE	APPROVED

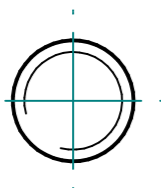
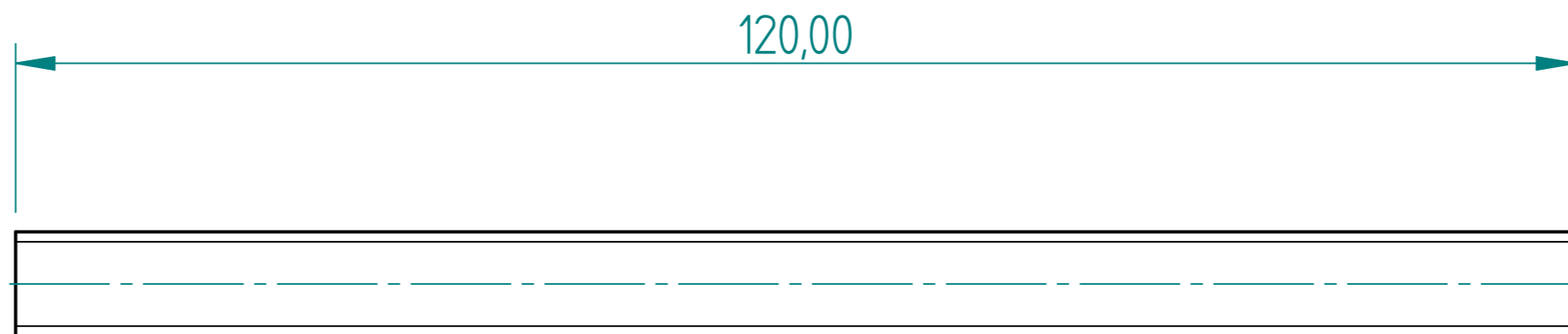
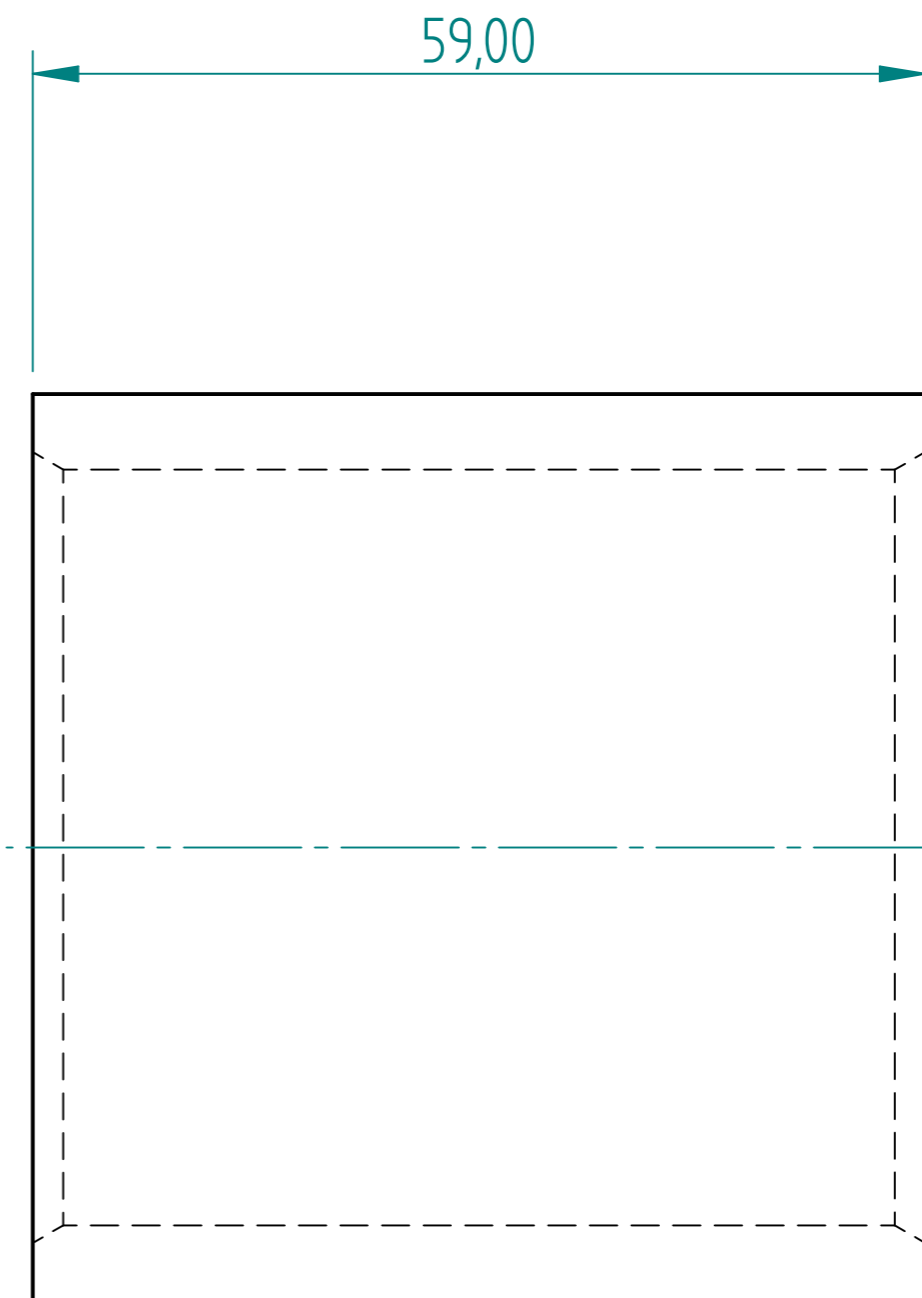
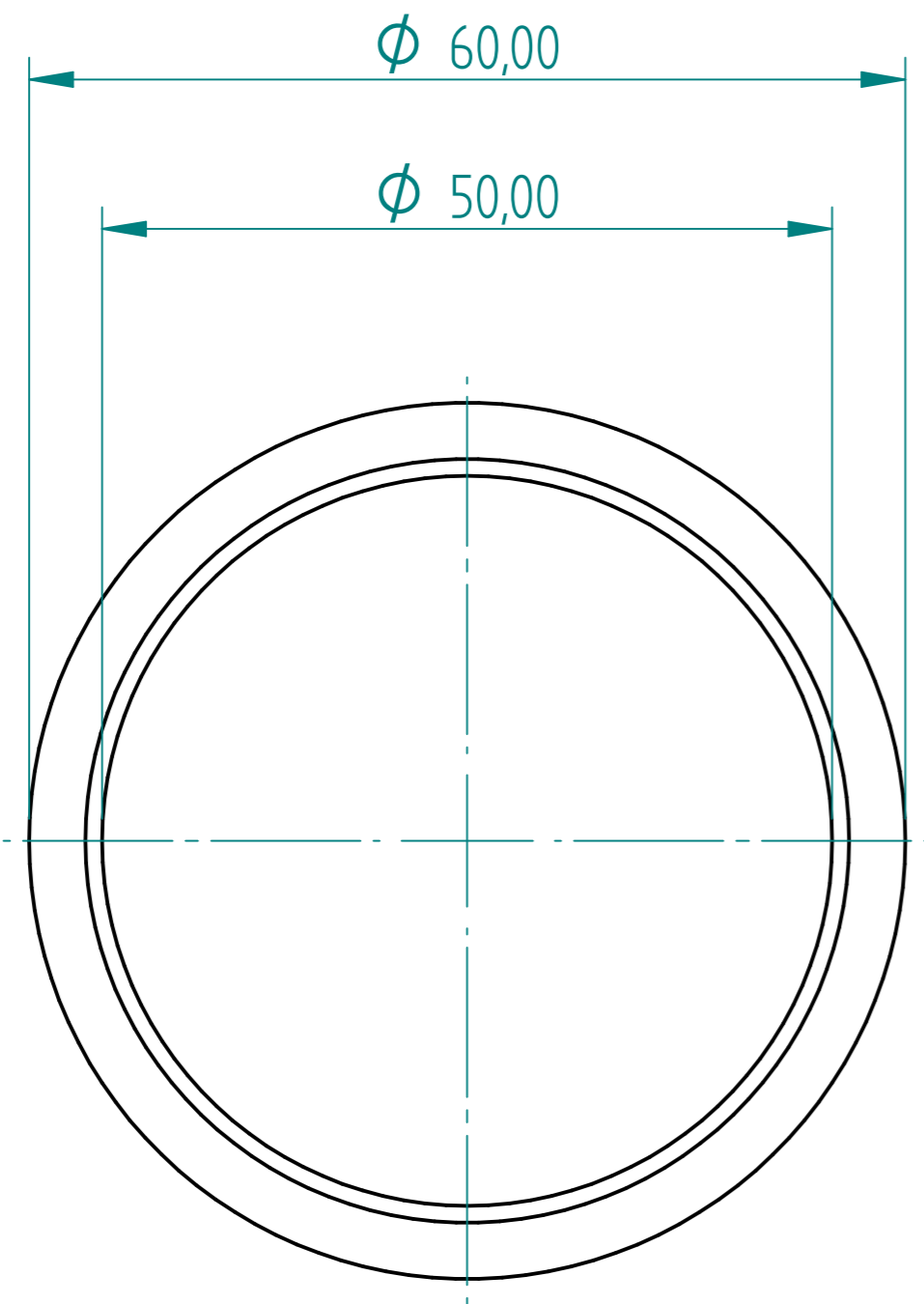



SECTION B-B  
0,00  
7,10

DRAWN	Qan	DATE	10/31/17	ETD	
APPROVED				ENRIGHT TOOL & DIE cc.	
MATERIAL				TITLE	
TREATMENT				SIZE	DWG NO
UNLESS OTHERWISE SPECIFIED DIMENSIONS ARE IN MILLIMETERS				A2	REV
1st ANGLE ANGLES ±0.1°				FILE NAME: Cylinder.dft	
2 PL ±0.02 3 PL ±0.005				SCALE:	WEIGHT: SHEET 1 OF 5

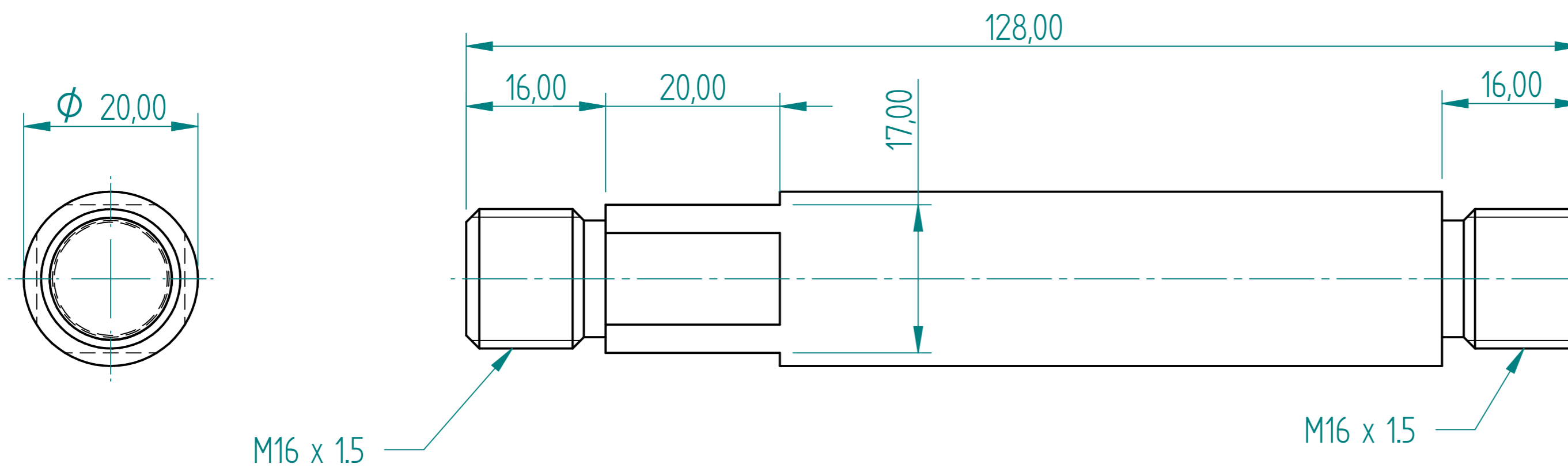
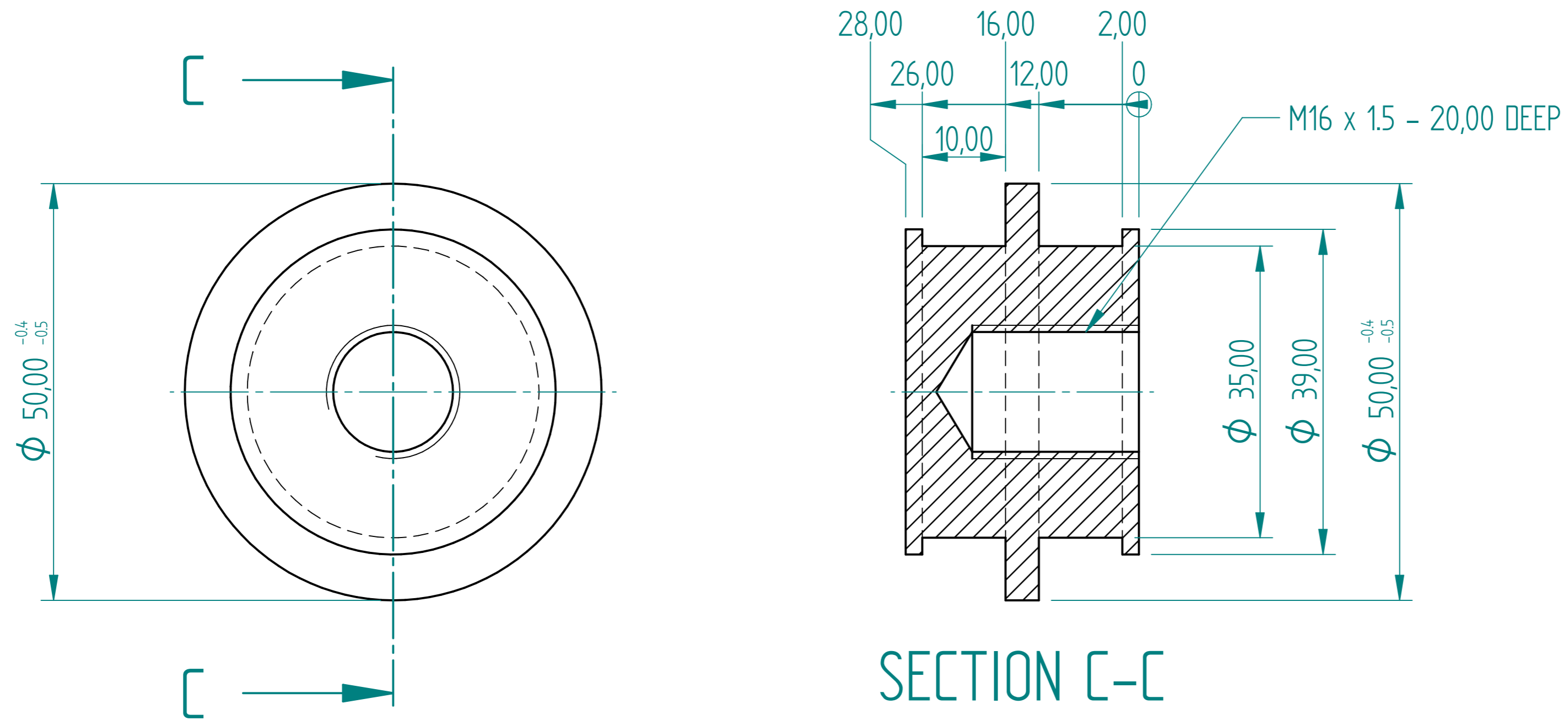


REVISION HISTORY			
REV	DESCRIPTION	DATE	APPROVED



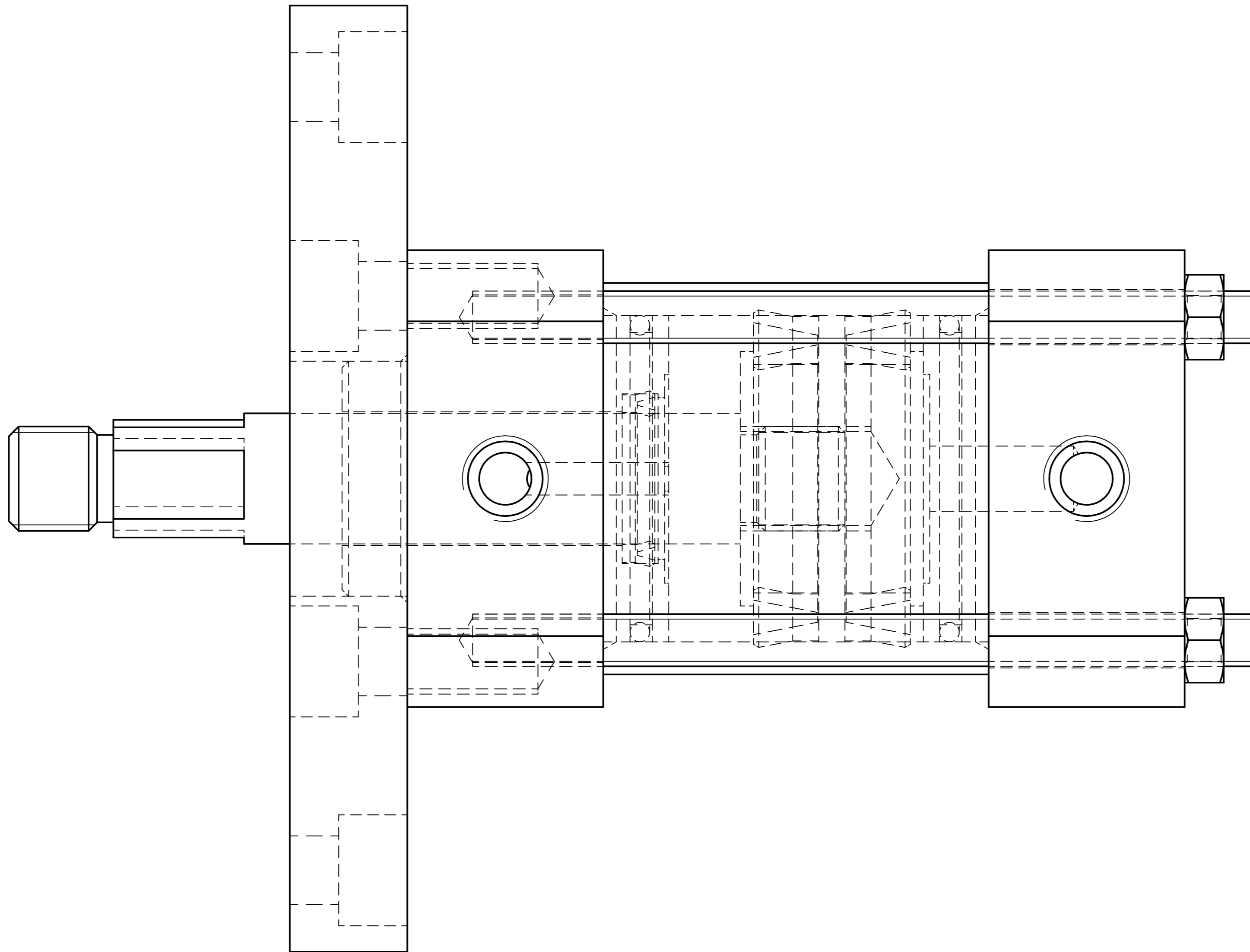
	NAME	DATE	ETD	
DRAWN	Dan	10/31/17	ENRIGHT TOOL & DIE cc.	
APPROVED			TITLE	
MATERIAL				
TREATMENT				
UNLESS OTHERWISE SPECIFIED DIMENSIONS ARE IN MILLIMETERS			SIZE A2	DWG NO
1 <sup>ST</sup> ANGLE  ANGLES ±0.1°			FILE NAME: Cylinder.dft	
2 PL ±0.02 3 PL ±0.005			SCALE:	WEIGHT: SHEET 3 OF 5

REVISION HISTORY			
REV	DESCRIPTION	DATE	APPROVED



DRAWN	Qan	DATE	10/31/17	ETD ENRIGHT TOOL & DIE cc.	
APPROVED					
MATERIAL				TITLE	
TREATMENT					
UNLESS OTHERWISE SPECIFIED DIMENSIONS ARE IN MILLIMETERS ANGLES ±0.1°				SIZE A2	DWG NO
1st ANGLE 2 PL ±0.02 3 PL ±0.005				FILE NAME: Cylinder.dft	REV
				SCALE:	WEIGHT: SHEET 4 OF 5

REVISION HISTORY			
REV	DESCRIPTION	DATE	APPROVED



	NAME	DATE	ETD	
DRAWN	Dan	10/31/17	ENRIGHT TOOL & DIE cc.	
APPROVED			TITLE	
MATERIAL				
TREATMENT				
UNLESS OTHERWISE SPECIFIED DIMENSIONS ARE IN MILLIMETERS			SIZE A2	DWG NO
1st ANGLE 				REV
			FILE NAME: Cylinder.dft	
2 PL ±0.02 3 PL ±0.005			SCALE:	WEIGHT: SHEET 5 OF 5