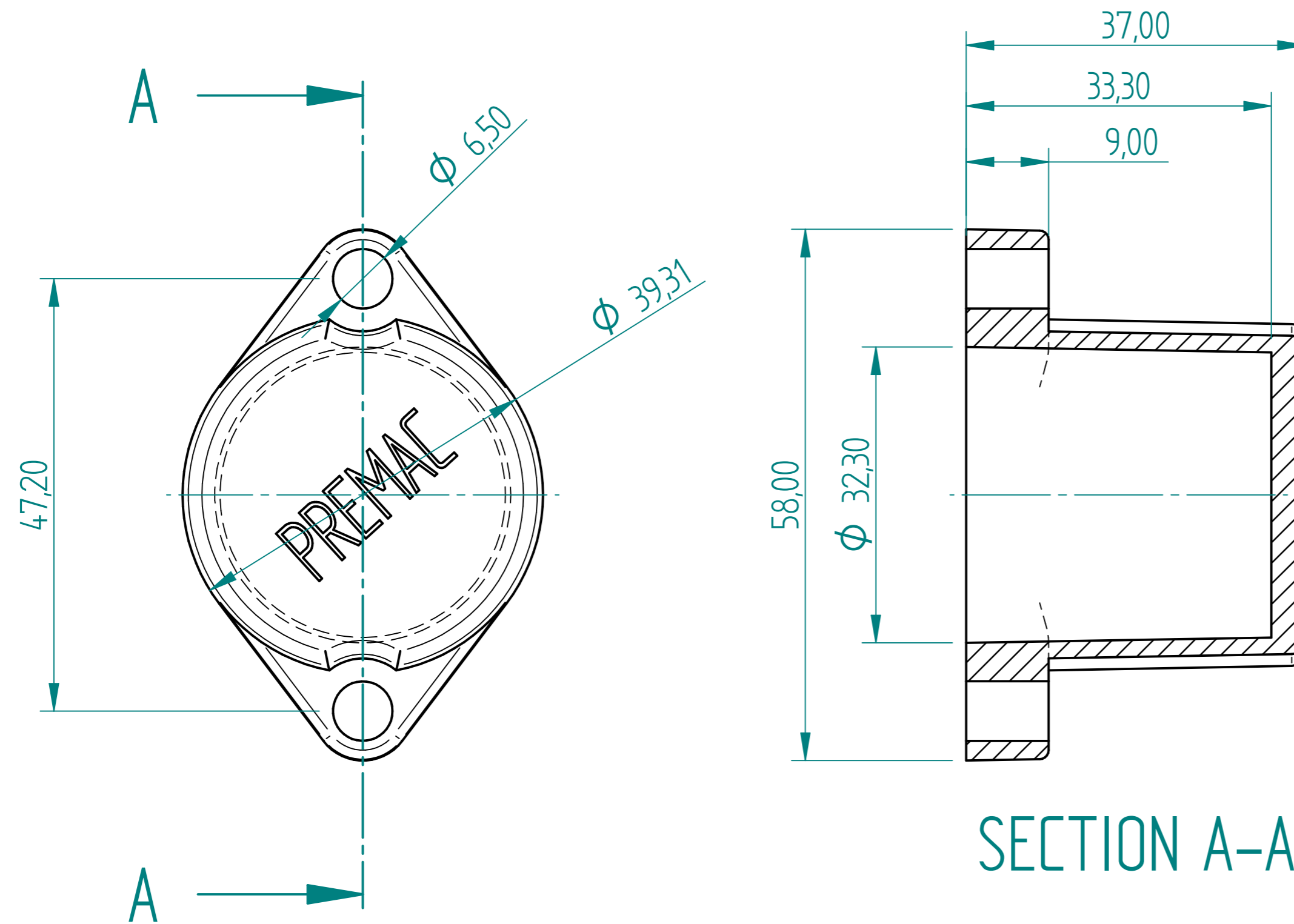
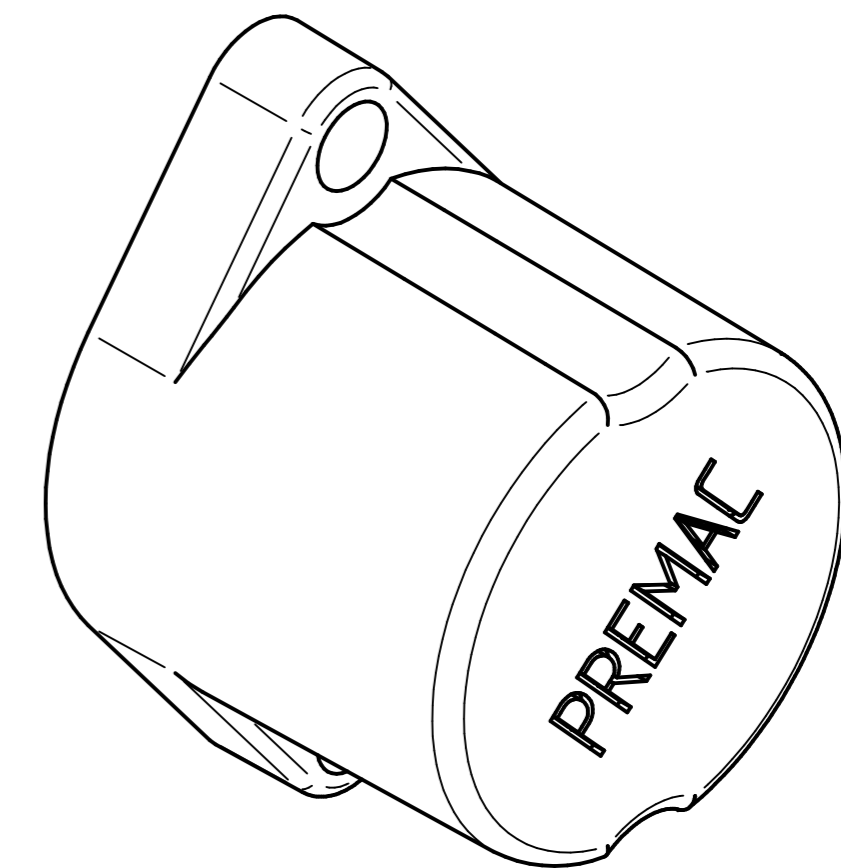


REVISION HISTORY			
REV	DESCRIPTION	DATE	APPROVED



SECTION A-A

V75 STD BONNET



	NAME	DATE	PREMAC	
DRAWN	Dan	09/04/23	PRECISION MACHINE MANUFACTURERS (PTY)LTD.	
APPROVED			TITLE	
MATERIAL			Std Bonnet Zink	
TREATMENT			SIZE	DWG NO
UNLESS OTHERWISE SPECIFIED DIMENSIONS ARE IN MILLIMETERS ANGLES $\pm 0,1^\circ$			A2	
			FILE NAME: Std Bonnet Zink.dft	REV
1 ST ANGLE			SCALE:	WEIGHT:
2 PL $\pm 0,02$ 3 PL $\pm 0,005$				SHEET 1 OF 1