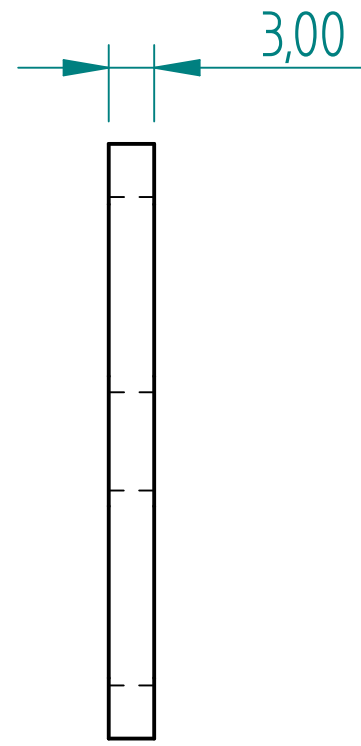
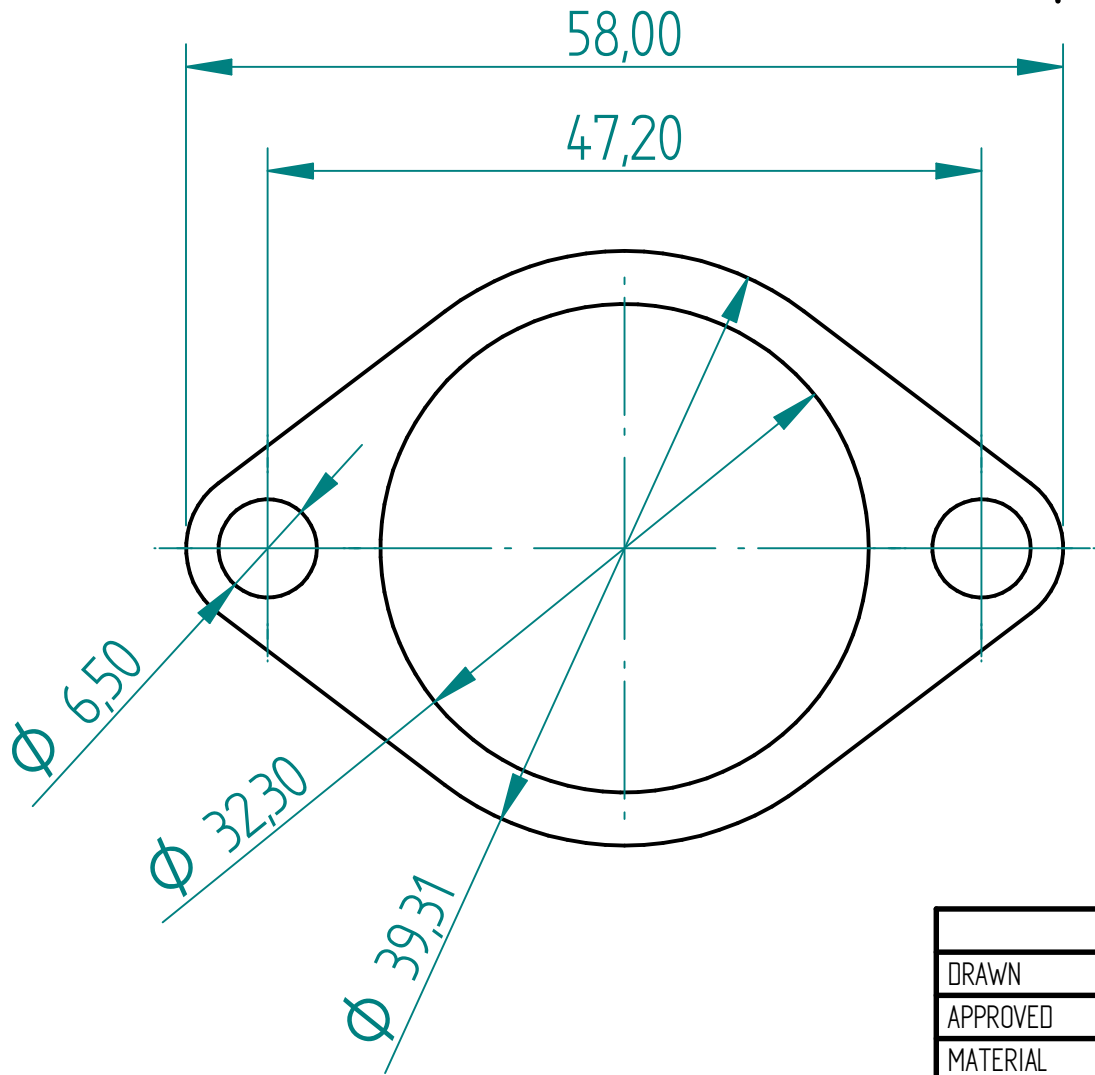


REVISION HISTORY			
REV	DESCRIPTION	DATE	APPROVED



	NAME	DATE	PREMAC		
DRAWN	Dan	02/03/25			
APPROVED			TITLE		
MATERIAL					
TREATMENT			SIZE	DWG NO	REV
UNLESS OTHERWISE SPECIFIED DIMENSIONS ARE IN MILLIMETERS 1 st ANGLE ANGLES ±0.1° 2 PL ±0.02 3 PL ±0.005			A4		
			FILE NAME: Std Bonnet Spacer.dft		
			SCALE:	WEIGHT:	SHEET 1 OF 2

