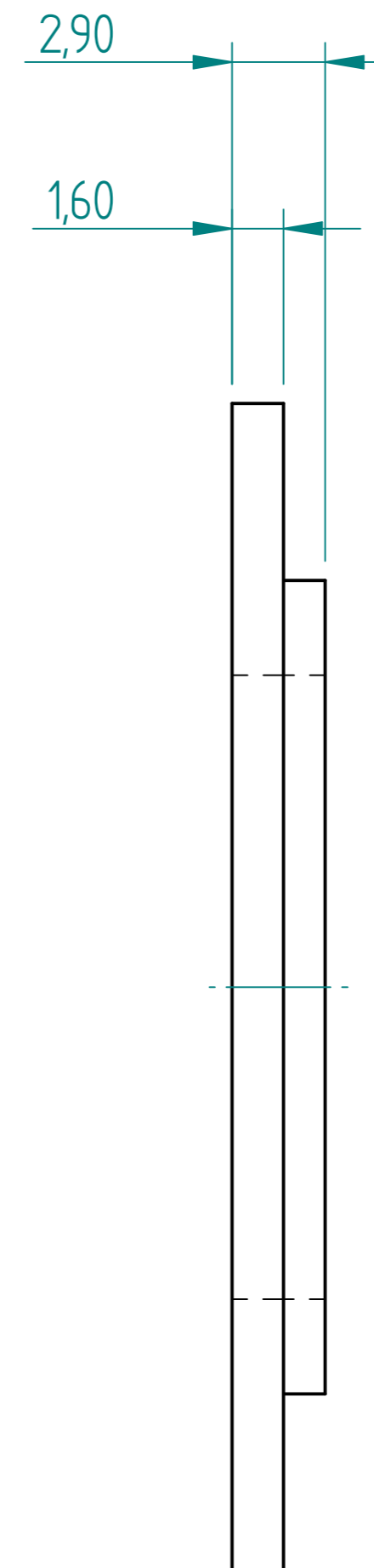
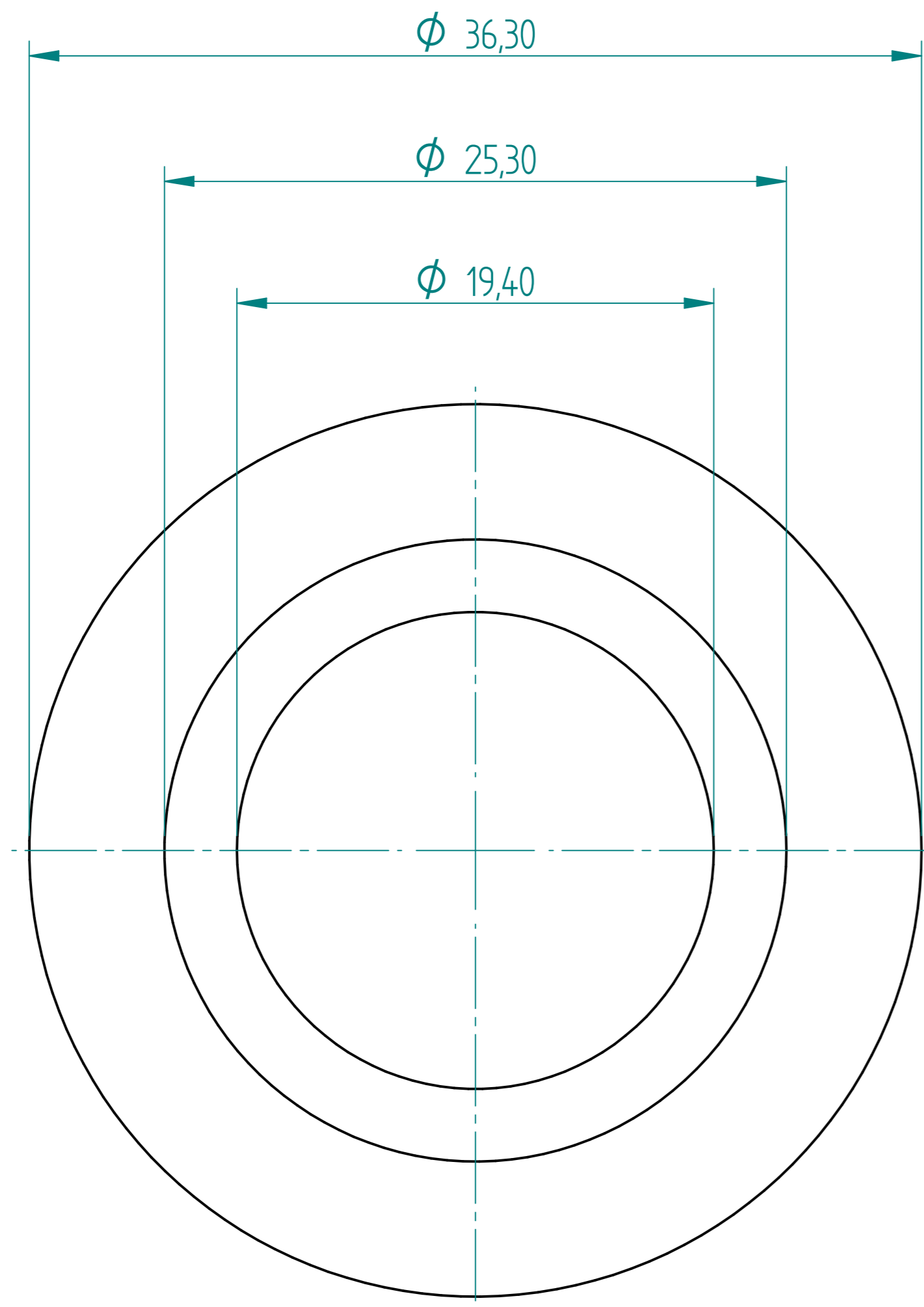


| REVISION HISTORY | | | |
|------------------|-------------|------|----------|
| REV | DESCRIPTION | DATE | APPROVED |
| | | | |



Spool Sealing Washer

| | | | | | |
|---|------|----------|-------------------------------------|---------|--------------|
| | NAME | DATE | PREMAC | | |
| DRAWN | Dan | 09/04/23 | | | |
| APPROVED | | | | | |
| MATERIAL | | | | | |
| TREATMENT | | | TITLE | | |
| | | | Spool Sealing Washer | | |
| UNLESS OTHERWISE SPECIFIED DIMENSIONS ARE IN MILLIMETERS | | | SIZE A4 | DWG NO | REV |
| 1 ST ANGLE ANGLES $\pm 0,1^\circ$ | | | FILE NAME: Spool Sealing Washer.dft | | |
| 2 PL $\pm 0,02$ 3 PL $\pm 0,005$ | | | SCALE: | WEIGHT: | SHEET 1 OF 1 |