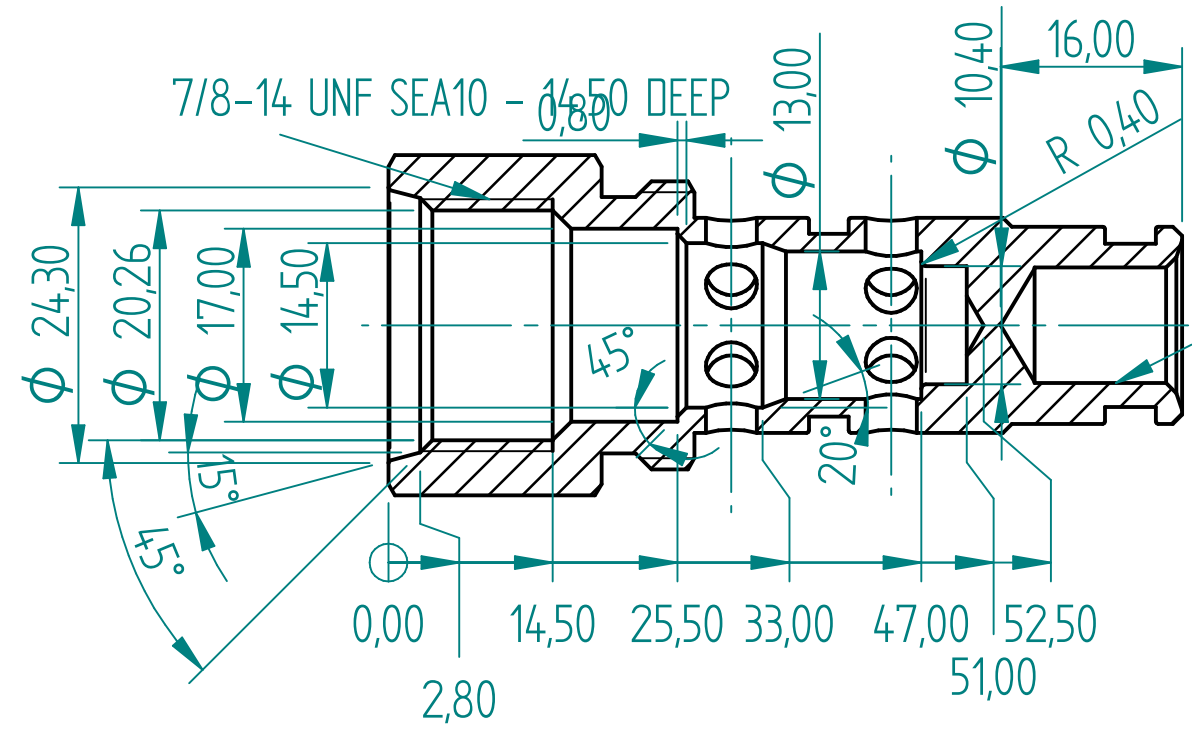
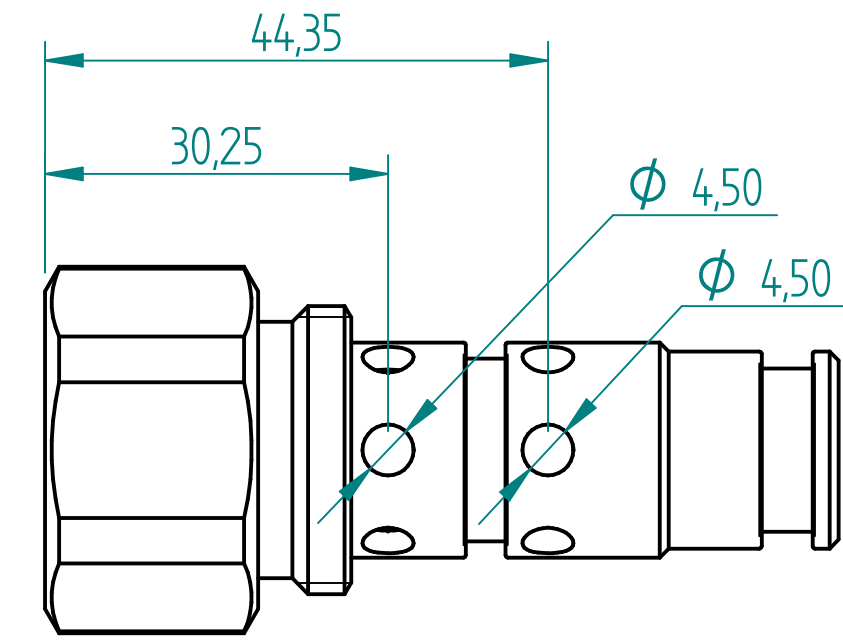
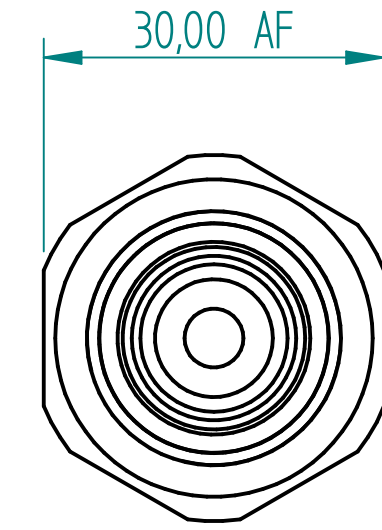
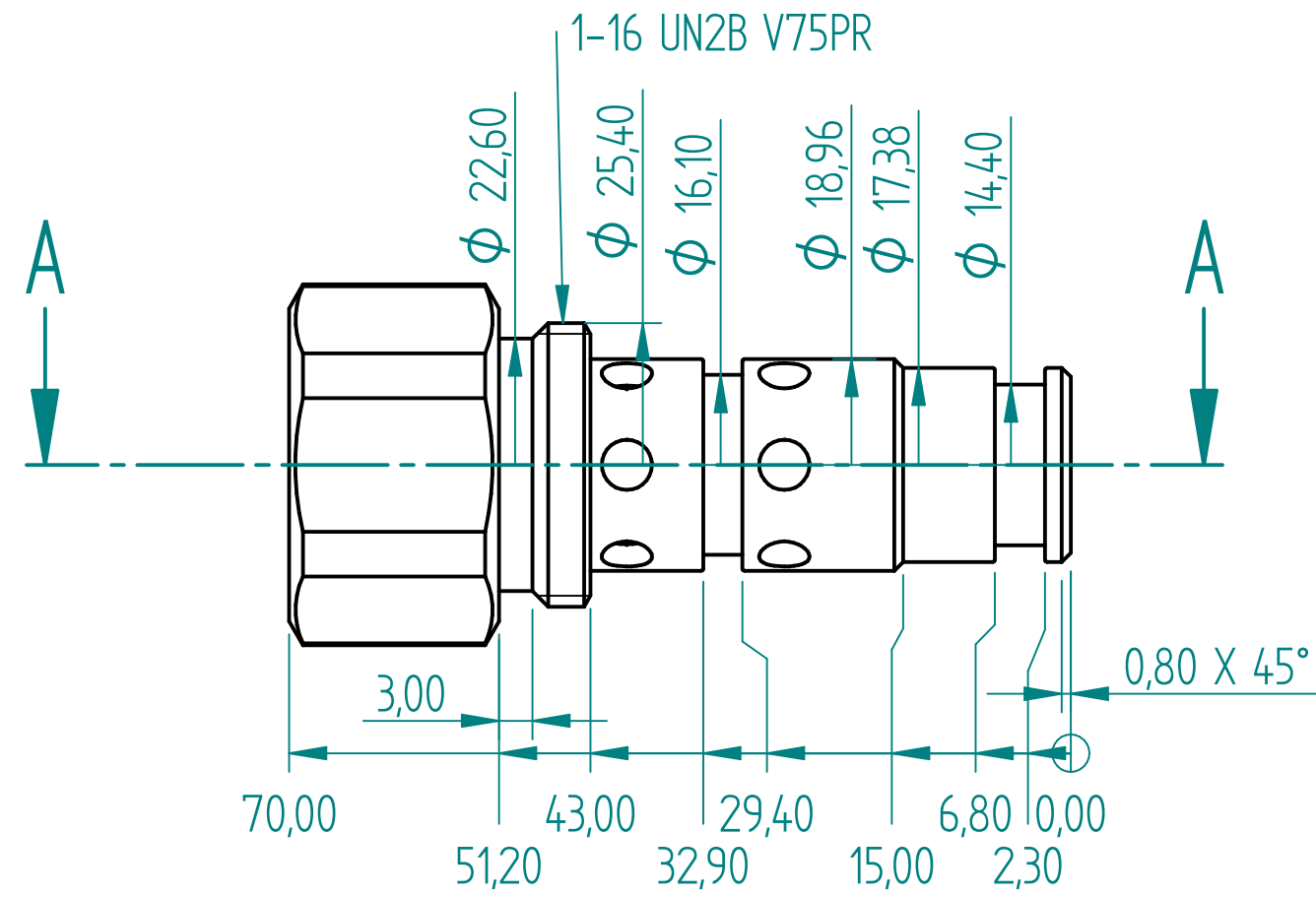


REVISION HISTORY

REV	DESCRIPTION	DATE	APPROVED



SECTION A-A

NAME	DATE	PREMAC PRECISION MACHINE MANUFACTURERS (PTY)LTD.	
DRAWN Dan	09/04/23		
APPROVED		TITLE	
MATERIAL		SIZE A3 DWG NO	
TREATMENT		REV	
UNLESS OTHERWISE SPECIFIED DIMENSIONS ARE IN MILLIMETERS		FILE NAME: Port Relief.dft	
ANGLES ±0.1°		SCALE:	WEIGHT:
1 ST ANGLE		SHEET 1 OF 1	
2 PL ±0.02 3 PL ±0.005			