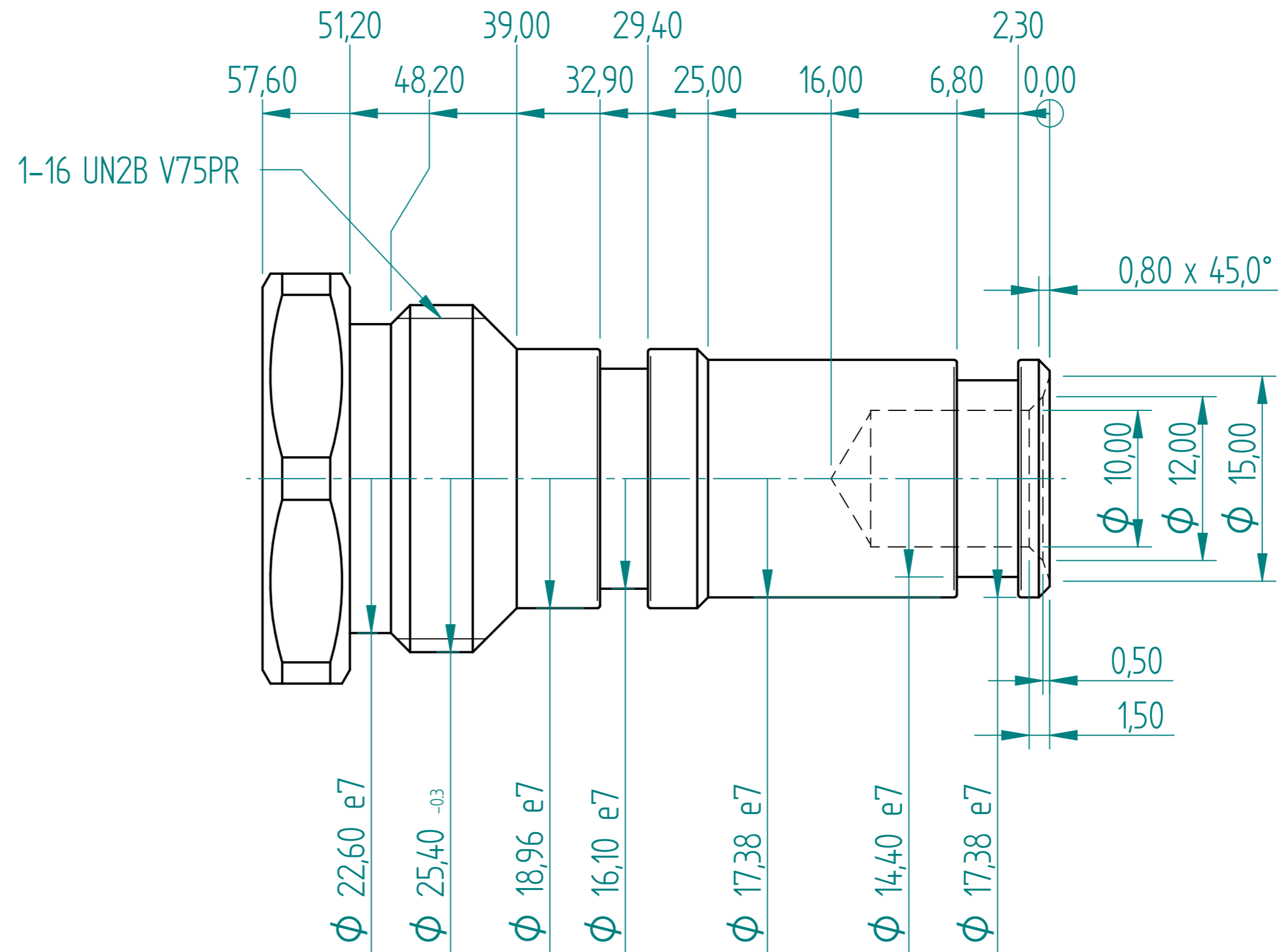
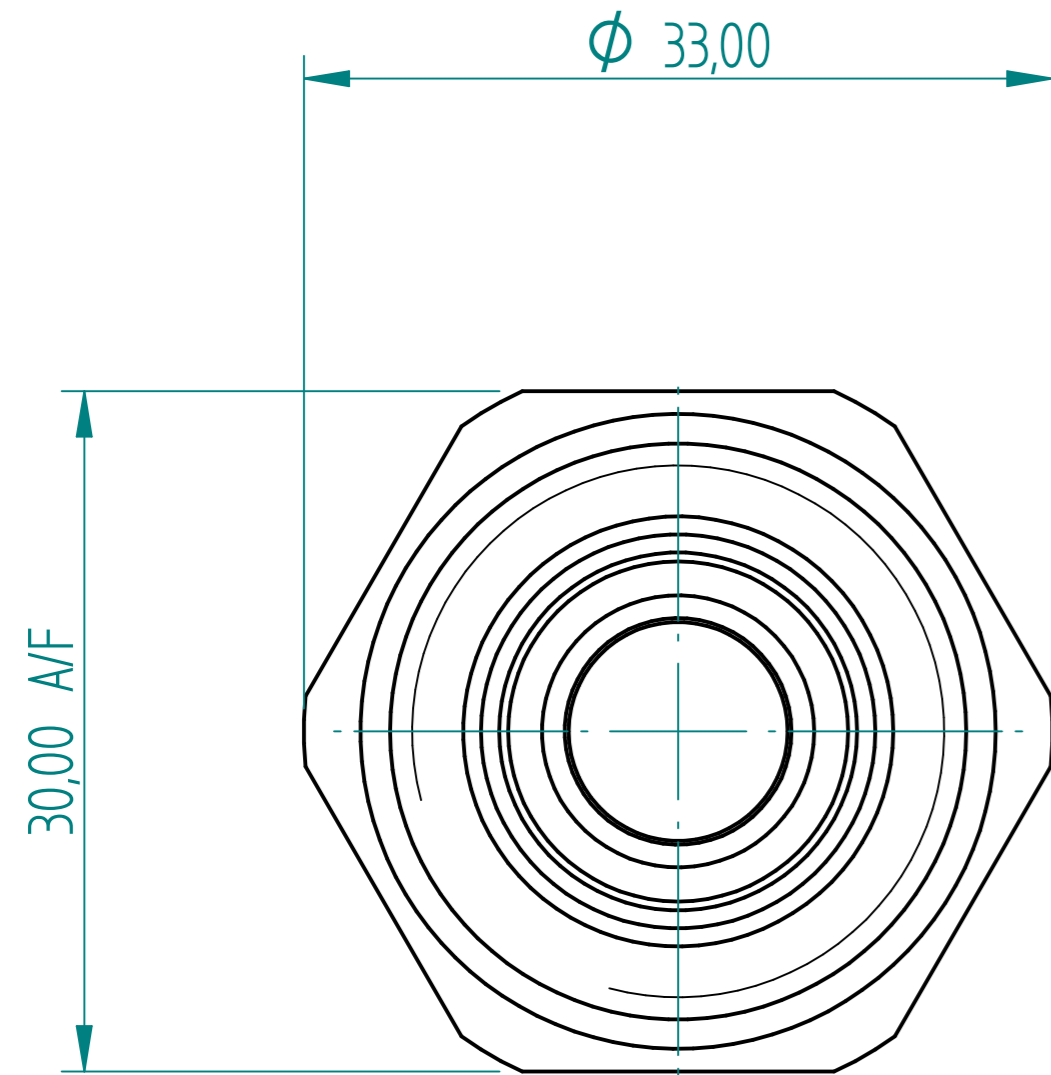
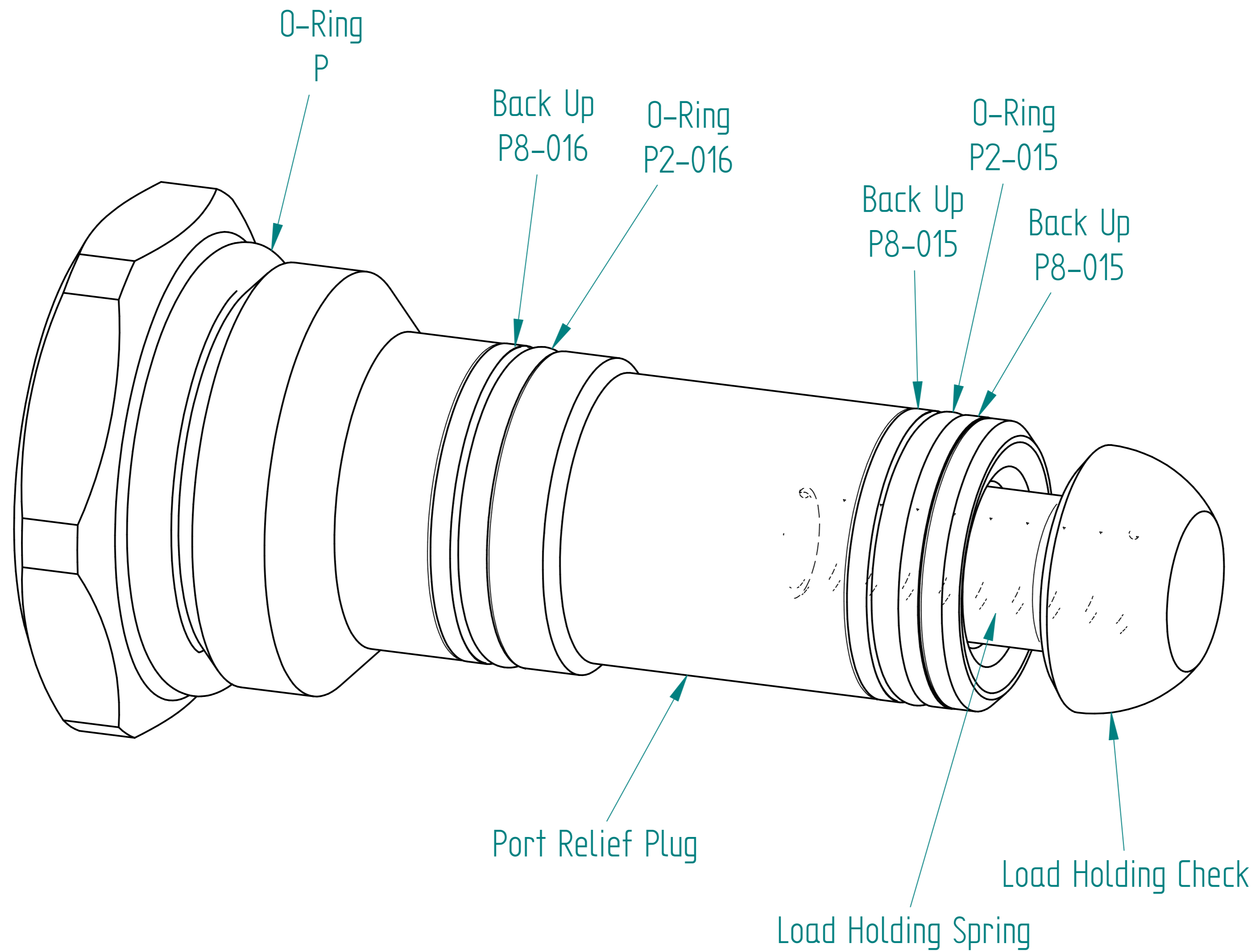


REVISION HISTORY			
REV	DESCRIPTION	DATE	APPROVED



	NAME	DATE	PREMAC	
DRAWN	Dan	09/04/23	PRECISION MACHINE MANUFACTURERS (PTY)LTD.	
APPROVED			TITLE	
MATERIAL			Port Relief Plug	
TREATMENT			SIZE	DWG NO
UNLESS OTHERWISE SPECIFIED DIMENSIONS ARE IN MILLIMETERS			A2	
1 <sup>ST</sup> ANGLE				REV
ANGLES $\pm 0,1^\circ$			FILE NAME: Port Relief Plug.dft	
2 PL $\pm 0,02$ 3 PL $\pm 0,005$			SCALE:	WEIGHT: SHEET 1 OF 2

REVISION HISTORY			
REV	DESCRIPTION	DATE	APPROVED



## V75 PORT RELIEF PLUG ASSEMBLY

	NAME	DATE	PREMAC	
DRAWN	Dan	09/04/23	PRECISION MACHINE MANUFACTURERS (PTY)LTD.	
APPROVED			TITLE	
MATERIAL			Port Relief Plug	
TREATMENT			SIZE	DWG NO
UNLESS OTHERWISE SPECIFIED DIMENSIONS ARE IN MILLIMETERS			A2	REV
1st ANGLE ANGLES ±0.1°			FILE NAME: Port Relief Plug.dft	
2 PL ±0.02 3 PL ±0.005			SCALE:	WEIGHT: SHEET 2 OF 2