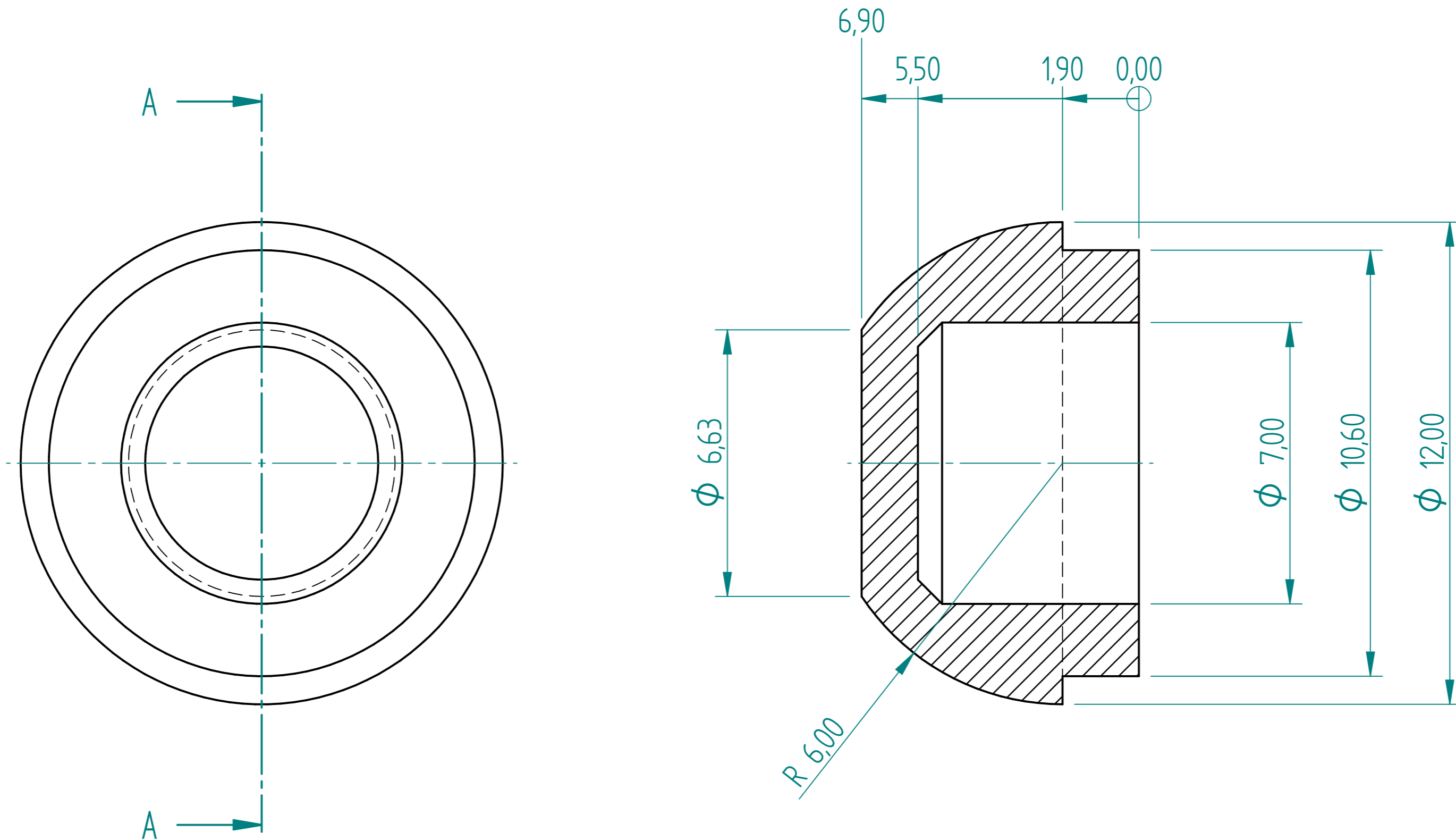


REVISION HISTORY			
REV	DESCRIPTION	DATE	APPROVED



SECTION A-A

	NAME	DATE	PREMAC	
DRAWN	DG	09/04/23		
APPROVED				
MATERIAL				
TREATMENT			TITLE	
UNLESS OTHERWISE SPECIFIED DIMENSIONS ARE IN MILLIMETERS			SIZE A4	DWG NO
1 ST ANGLE ANGLES ±0.1°			FILE NAME: AC_Poppet.dft	
2 PL ±0.02 3 PL ±0.005			SCALE:	WEIGHT:
			SHEET 1 OF 1	