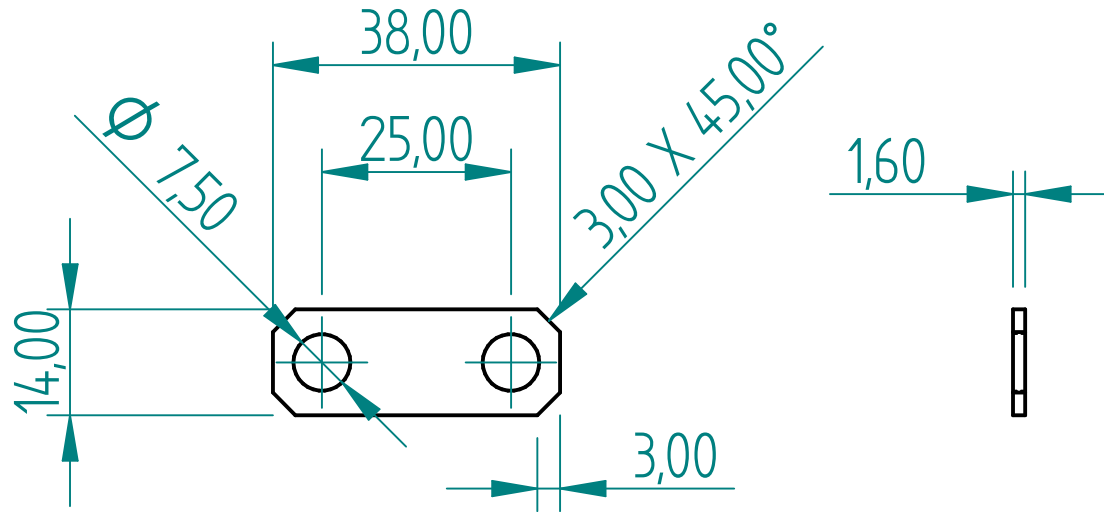


REVISION HISTORY

REV	DESCRIPTION	DATE	APPROVED



	NAME	DATE	PREMAC		
DRAWN	Dan	11/15/18			
APPROVED			TITLE		
MATERIAL					
TREATMENT			SIZE	DWG NO	REV
UNLESS OTHERWISE SPECIFIED DIMENSIONS ARE IN MILLIMETERS 1 st ANGLE ANGLES $\pm 0,1^\circ$ 2 PL $\pm 0,02$ 3 PL $\pm 0,005$			A4		
			FILE NAME: U Link.dft		
			SCALE:	WEIGHT:	SHEET 2 OF 2