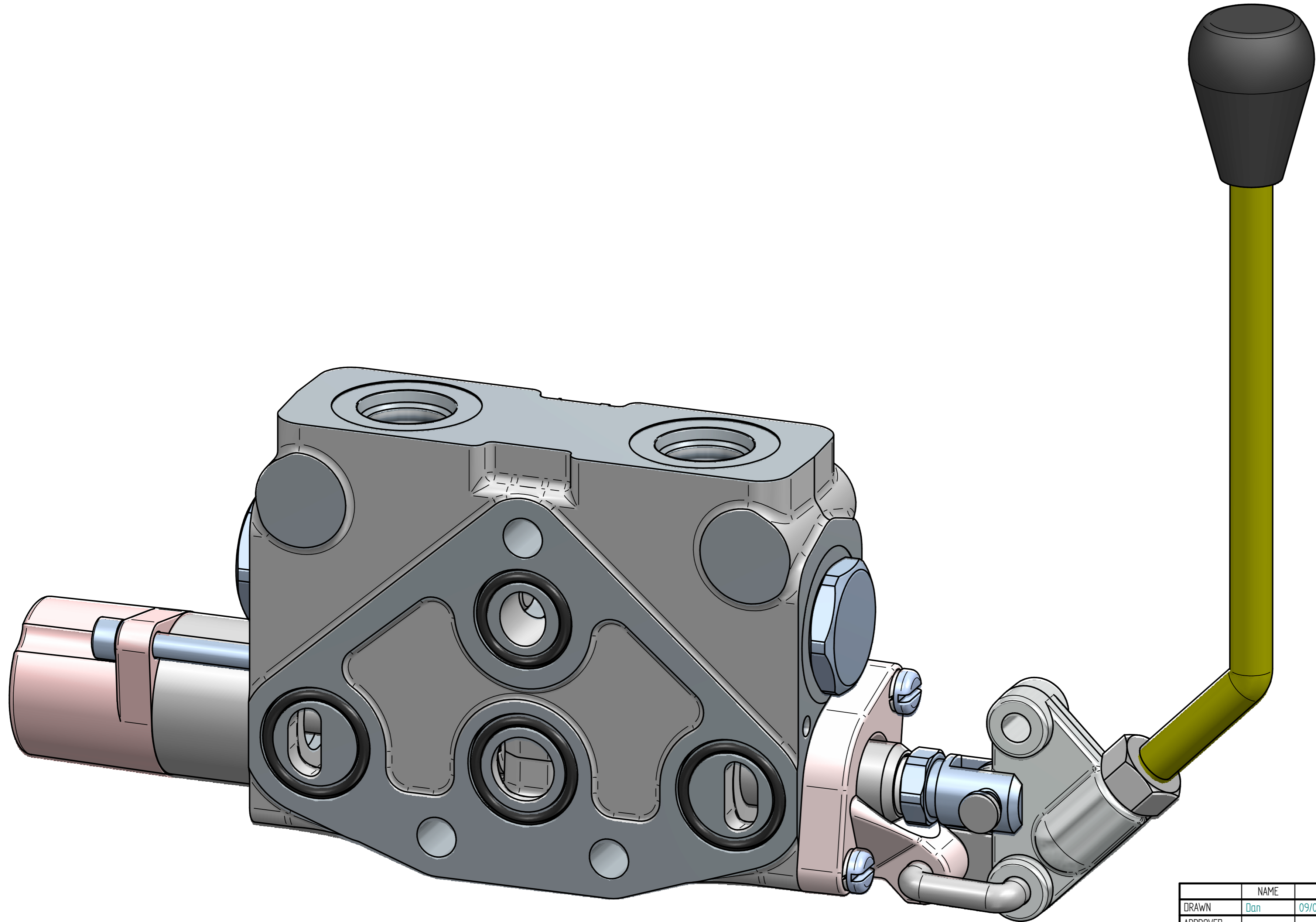
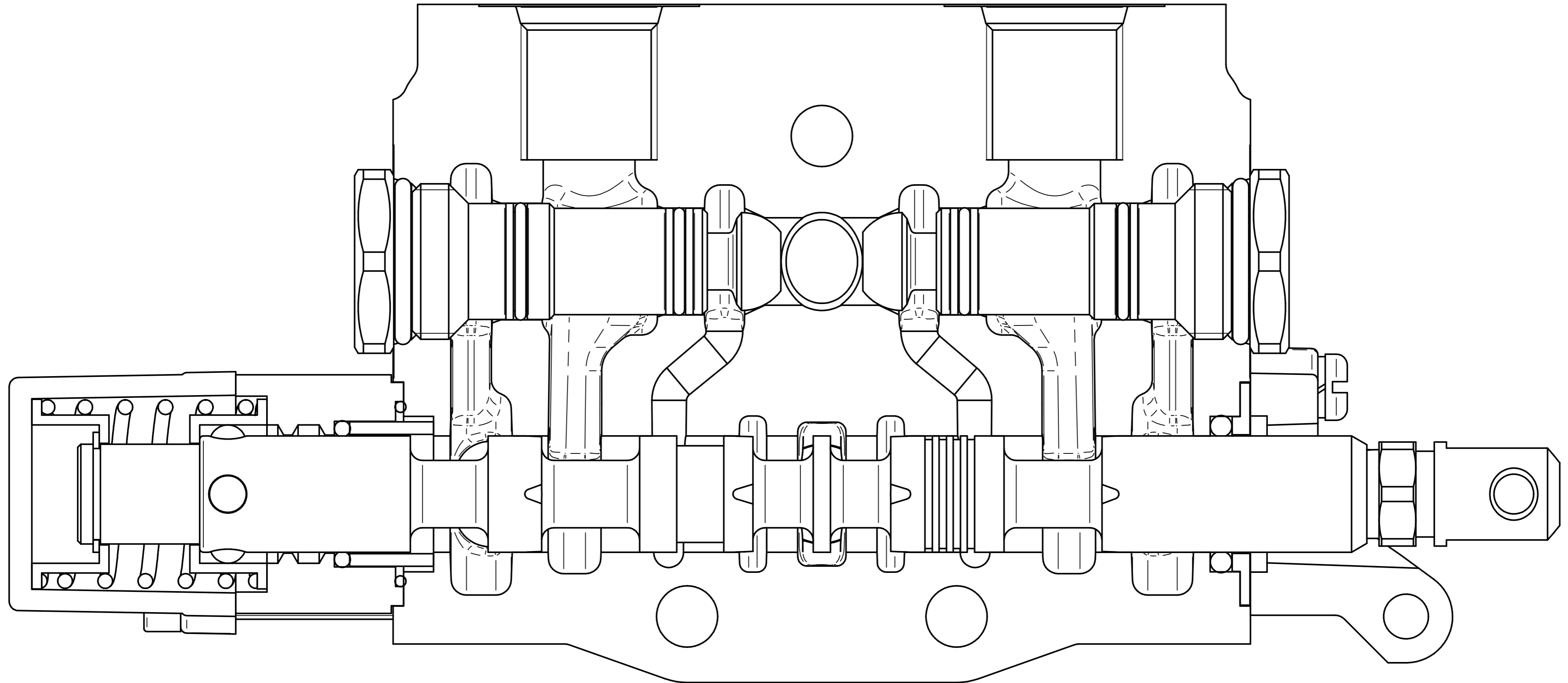


REVISION HISTORY			
REV	DESCRIPTION	DATE	APPROVED



	NAME	DATE	PREMAC	
DRAWN	Dan	09/04/23	PRECISION MACHINE MANUFACTURERS (PTY)LTD.	
APPROVED			TITLE	V75 Float
MATERIAL				
TREATMENT				
UNLESS OTHERWISE SPECIFIED DIMENSIONS ARE IN MILLIMETERS			SIZE A2	DWG NO V75 FLOAT
1st ANGLE ANGLES ±0.1°			FILE NAME: Float.dft	REV
2 PL ±0.02 3 PL ±0.005			SCALE:	WEIGHT: SHEET 1 OF 2

REVISION HISTORY			
REV	DESCRIPTION	DATE	APPROVED



	NAME	DATE	PREMAC	
DRAWN	Dan	09/04/23	PRECISION MACHINE MANUFACTURERS (PTY)LTD.	
APPROVED			TITLE	V75 Float
MATERIAL			SIZE	DWG NO
TREATMENT			A2	V75 FLOAT
UNLESS OTHERWISE SPECIFIED DIMENSIONS ARE IN MILLIMETERS			FILE NAME: Float.dft	REV
1 <sup>ST</sup> ANGLE 2 PL ±0.02 3 PL ±0.005			SCALE:	WEIGHT:
				SHEET 2 OF 2