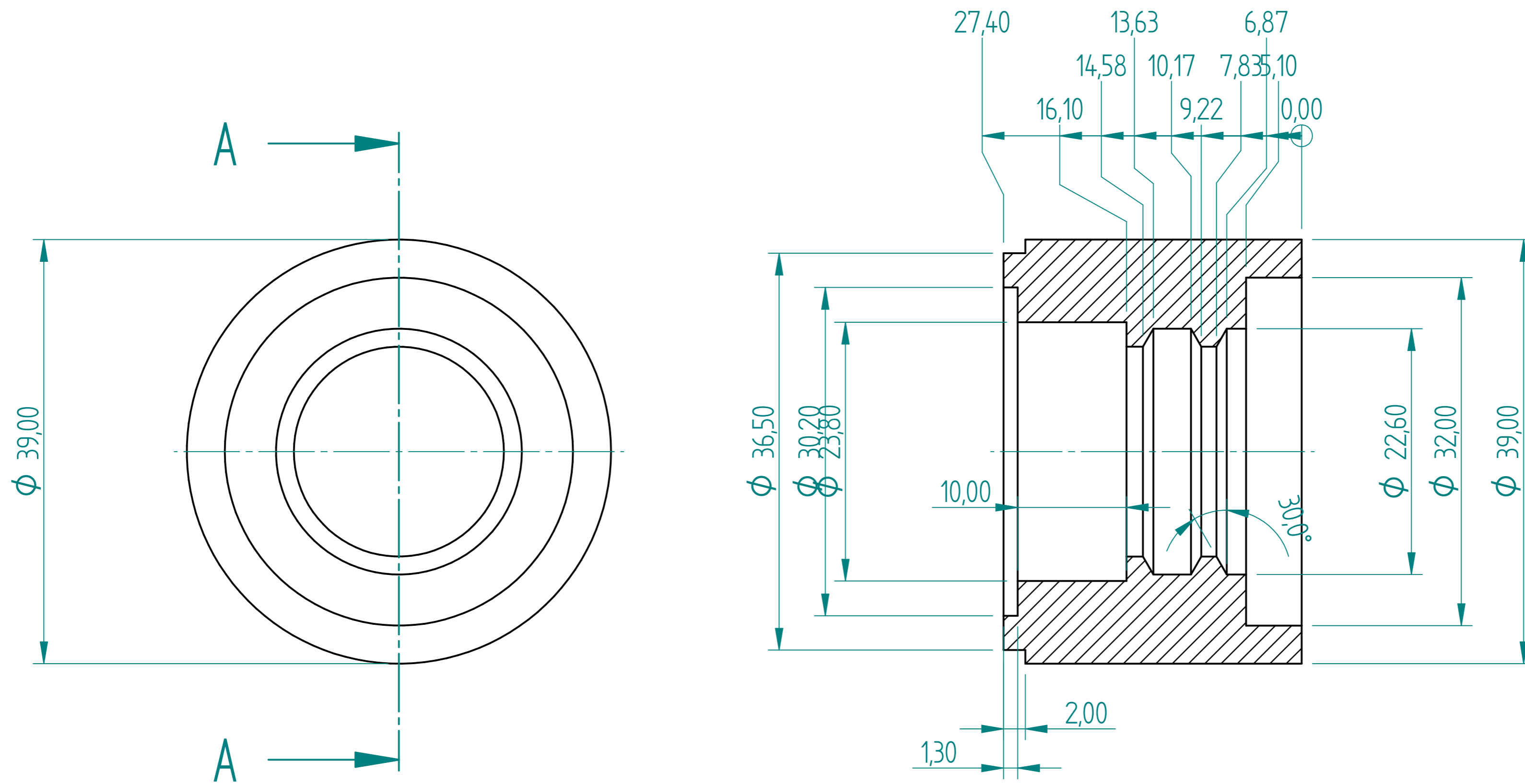


REVISION HISTORY			
REV	DESCRIPTION	DATE	APPROVED



SECTION A-A

V75 FLOAT POSITIONER SLEEVE

	NAME	DATE	PREMAC	
DRAWN	Dan	09/04/23	PRECISION MACHINE MANUFACTURERS (PTY)LTD.	
APPROVED			TITLE	
MATERIAL			SIZE	DWG NO
TREATMENT			A2	
UNLESS OTHERWISE SPECIFIED DIMENSIONS ARE IN MILLIMETERS				REV
ANGLES ±0.1°			FILE NAME: Float Positioner Sleeve.dft	
2 PL ±0.02 3 PL ±0.005			SCALE:	WEIGHT:
			SHEET 1 OF 1	