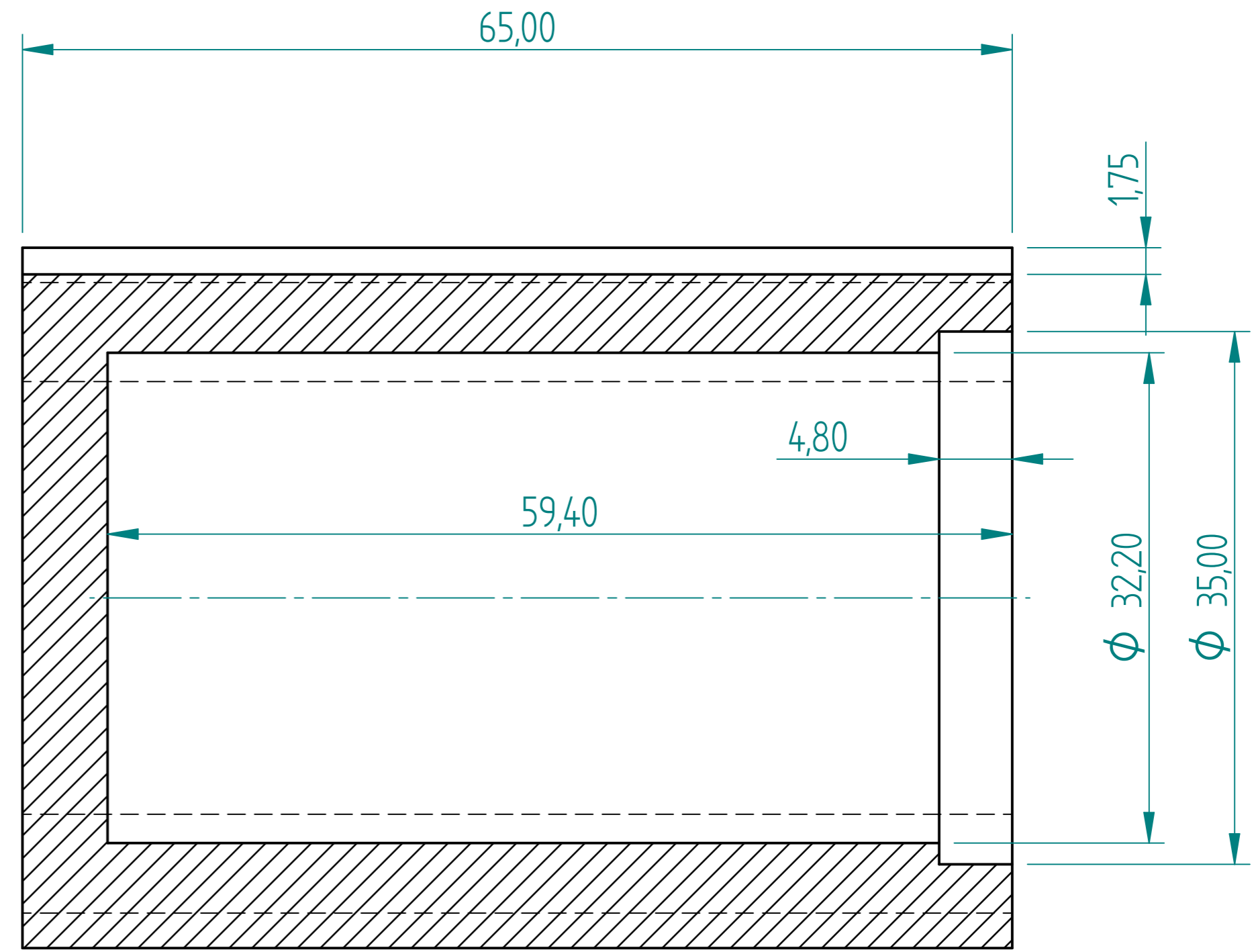
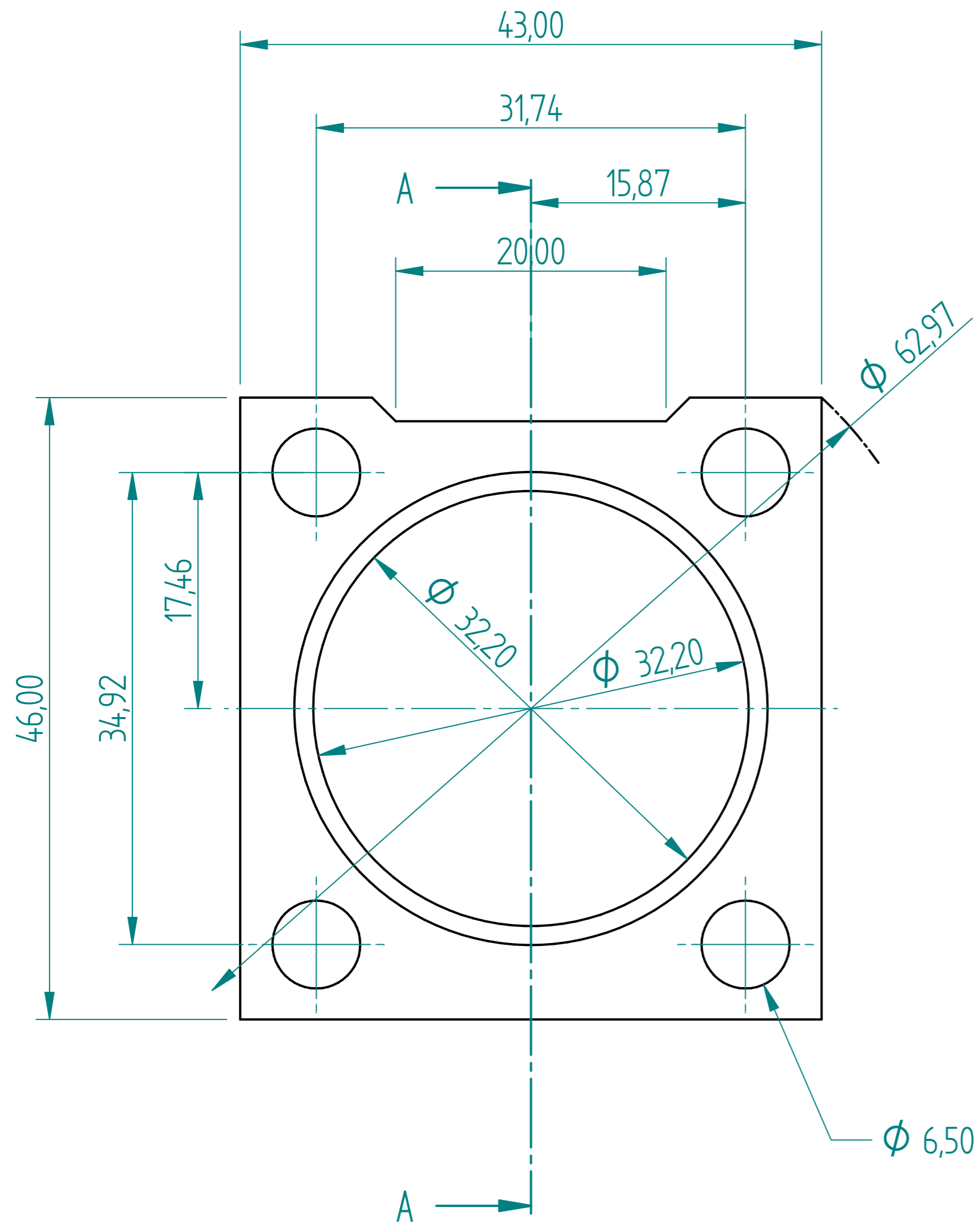


REVISION HISTORY			
REV	DESCRIPTION	DATE	APPROVED



SECTION A-A

V75 FLOAT BONNET

	NAME	DATE	<b>PREMAC</b>		
DRAWN	Dan	09/04/23			
APPROVED					
MATERIAL					
TREATMENT			TITLE		
UNLESS OTHERWISE SPECIFIED DIMENSIONS ARE IN MILLIMETERS ANGLES $\pm 0,1^\circ$			SIZE A4	DWG NO V75 Float Bonnet	REV
1st ANGLE 2 PL $\pm 0,02$ 3 PL $\pm 0,005$			FILE NAME: Float Bonnet.dft		
			SCALE:	WEIGHT:	SHEET 1 OF 1