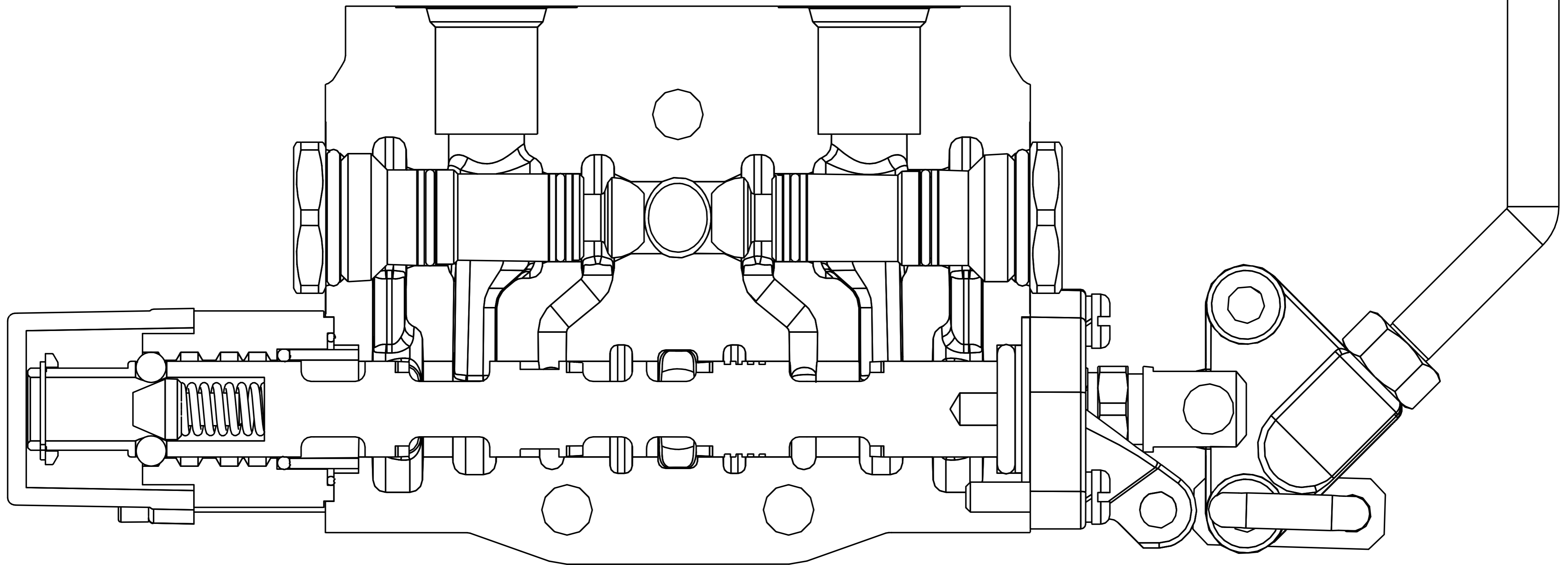
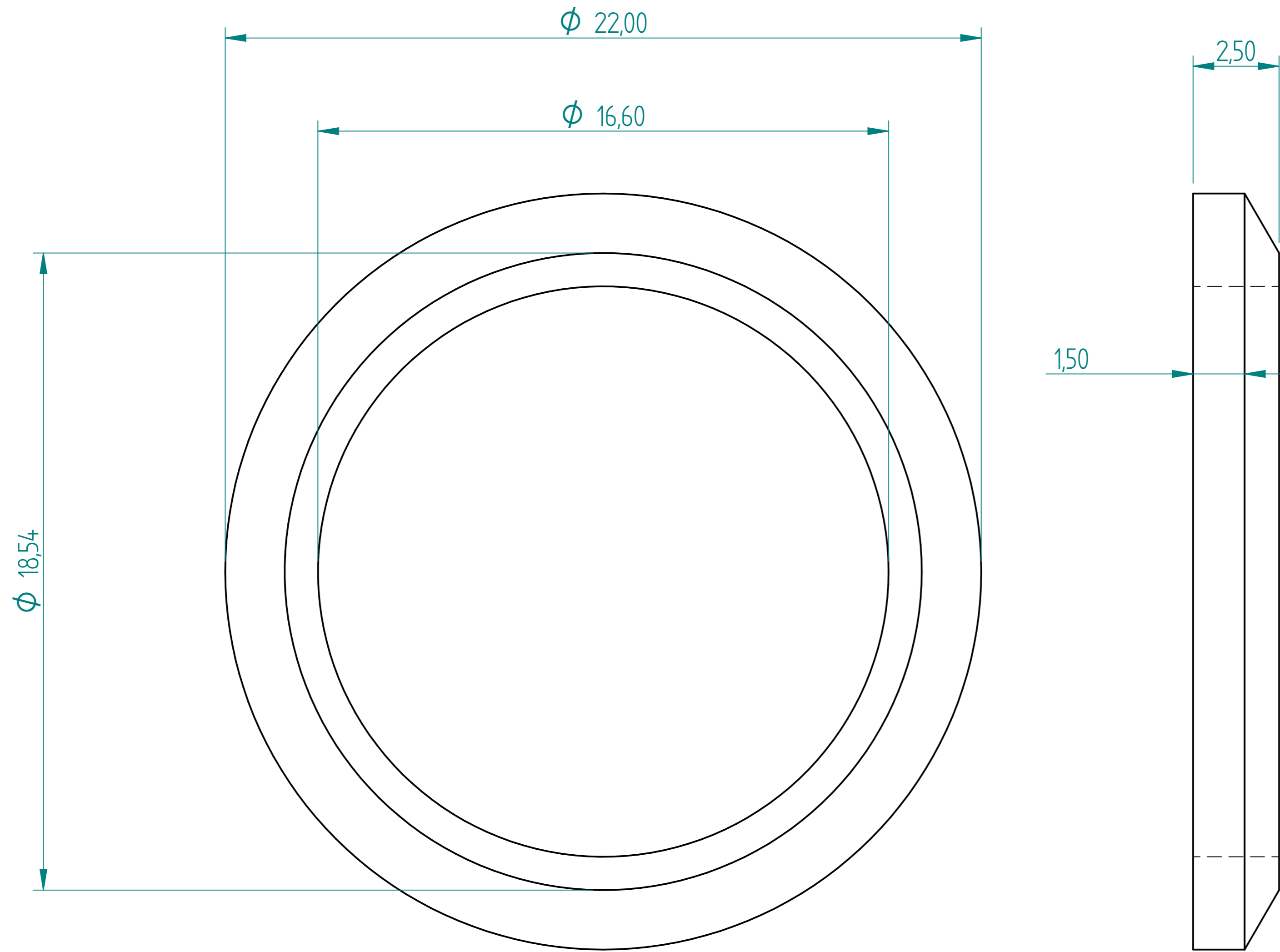


REVISION HISTORY			
REV	DESCRIPTION	DATE	APPROVED



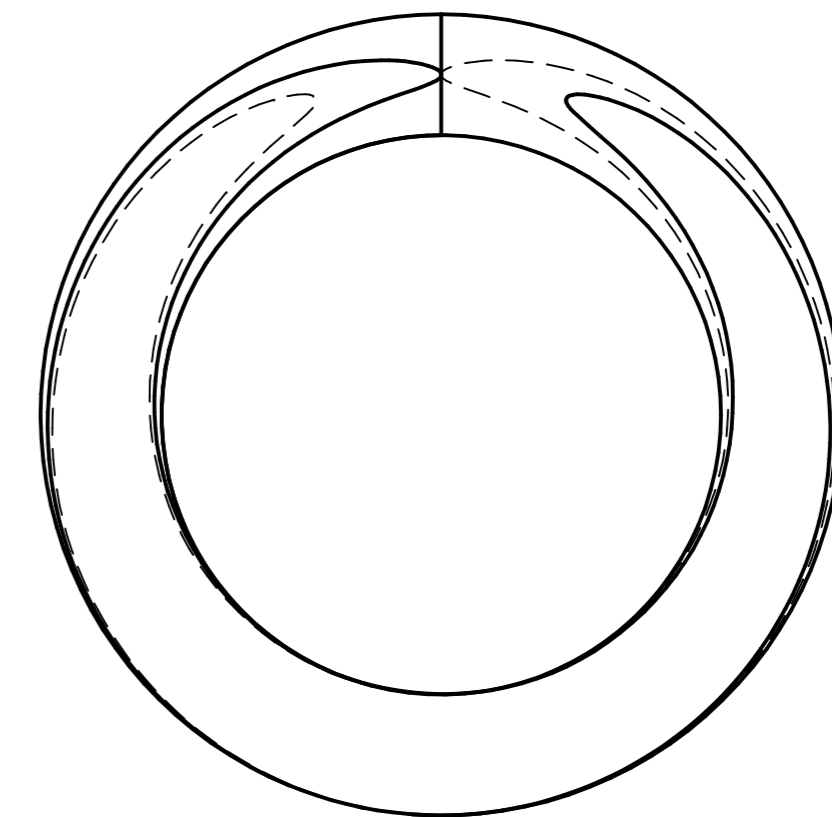
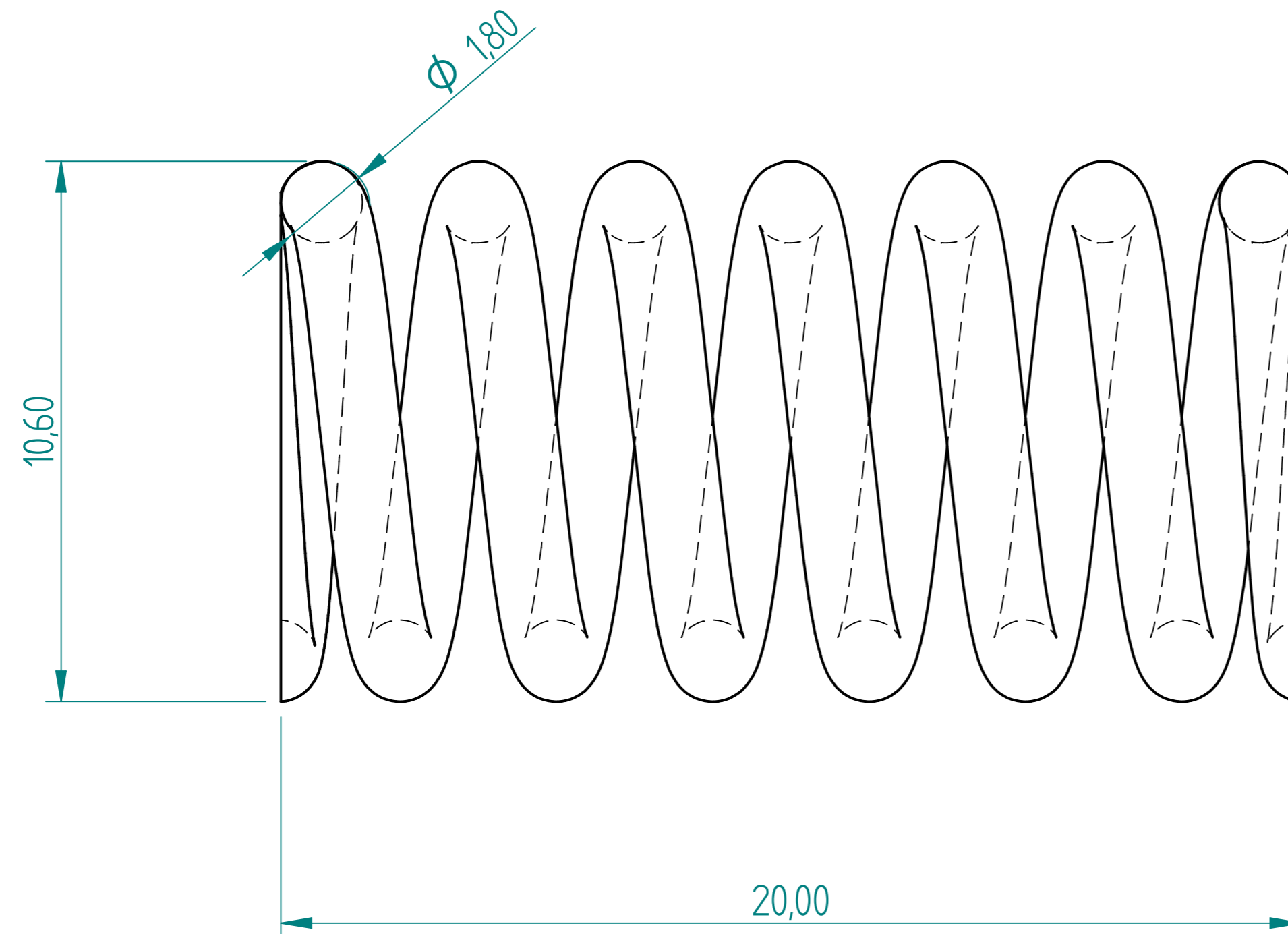
	NAME	DATE	PREMAC	
DRAWN	Dan	09/04/23	PRECISION MACHINE MANUFACTURERS (PTY)LTD.	
APPROVED			TITLE	
MATERIAL				
TREATMENT			SIZE	DWG NO
UNLESS OTHERWISE SPECIFIED DIMENSIONS ARE IN MILLIMETERS			A2	REV
ANGLES ±0.1°			FILE NAME: Float 4 Position Detent.dft	
2 PL ±0.02 3 PL ±0.005			SCALE:	WEIGHT:
1st ANGLE			SHEET 1 OF 3	

REVISION HISTORY			
REV	DESCRIPTION	DATE	APPROVED



	NAME	DATE	PREMAC	
DRAWN	Dan	09/04/23	PRECISION MACHINE MANUFACTURERS (PTY)LTD.	
APPROVED			TITLE	
MATERIAL				
TREATMENT				
UNLESS OTHERWISE SPECIFIED DIMENSIONS ARE IN MILLIMETERS			SIZE A2	DWG NO
1 <sup>ST</sup> ANGLE ANGLES $\pm 0,1^\circ$			REV	
2 PL $\pm 0,02$ 3 PL $\pm 0,005$			FILE NAME: Float 4 Position Detent.dft	
			SCALE:	WEIGHT: SHEET 2 OF 3

REVISION HISTORY			
REV	DESCRIPTION	DATE	APPROVED



	NAME	DATE	PREMAC	
DRAWN	Dan	09/04/23	PRECISION MACHINE MANUFACTURERS (PTY)LTD.	
APPROVED			TITLE	
MATERIAL				
TREATMENT				
UNLESS OTHERWISE SPECIFIED DIMENSIONS ARE IN MILLIMETERS			SIZE A2	DWG NO
1 <sup>ST</sup> ANGLE 			ANGLES $\pm 0,1^\circ$	REV
2 PL $\pm 0,02$ 3 PL $\pm 0,005$			FILE NAME: Float 4 Position Detent.dft	
			SCALE:	WEIGHT: SHEET 3 OF 3