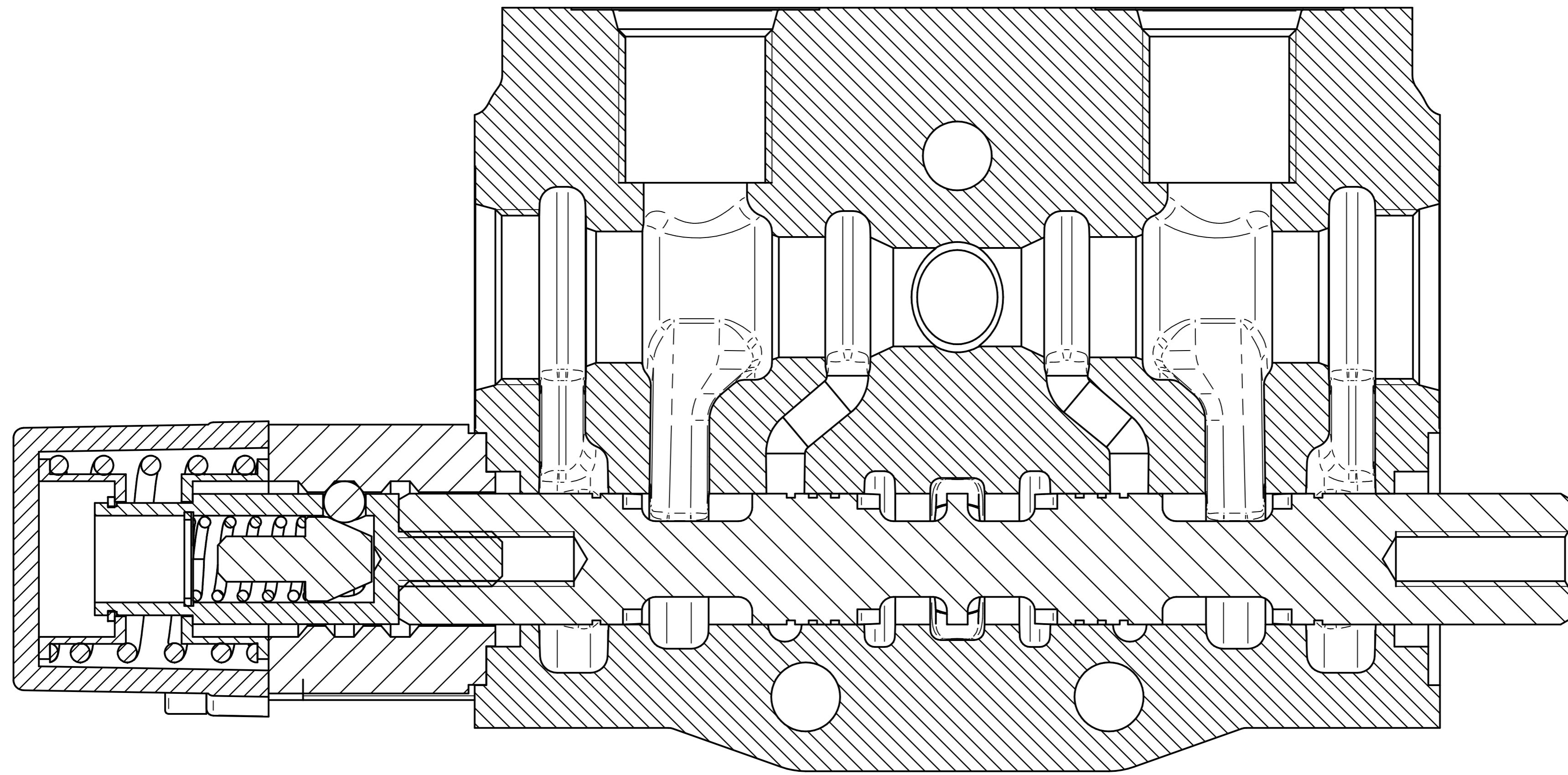
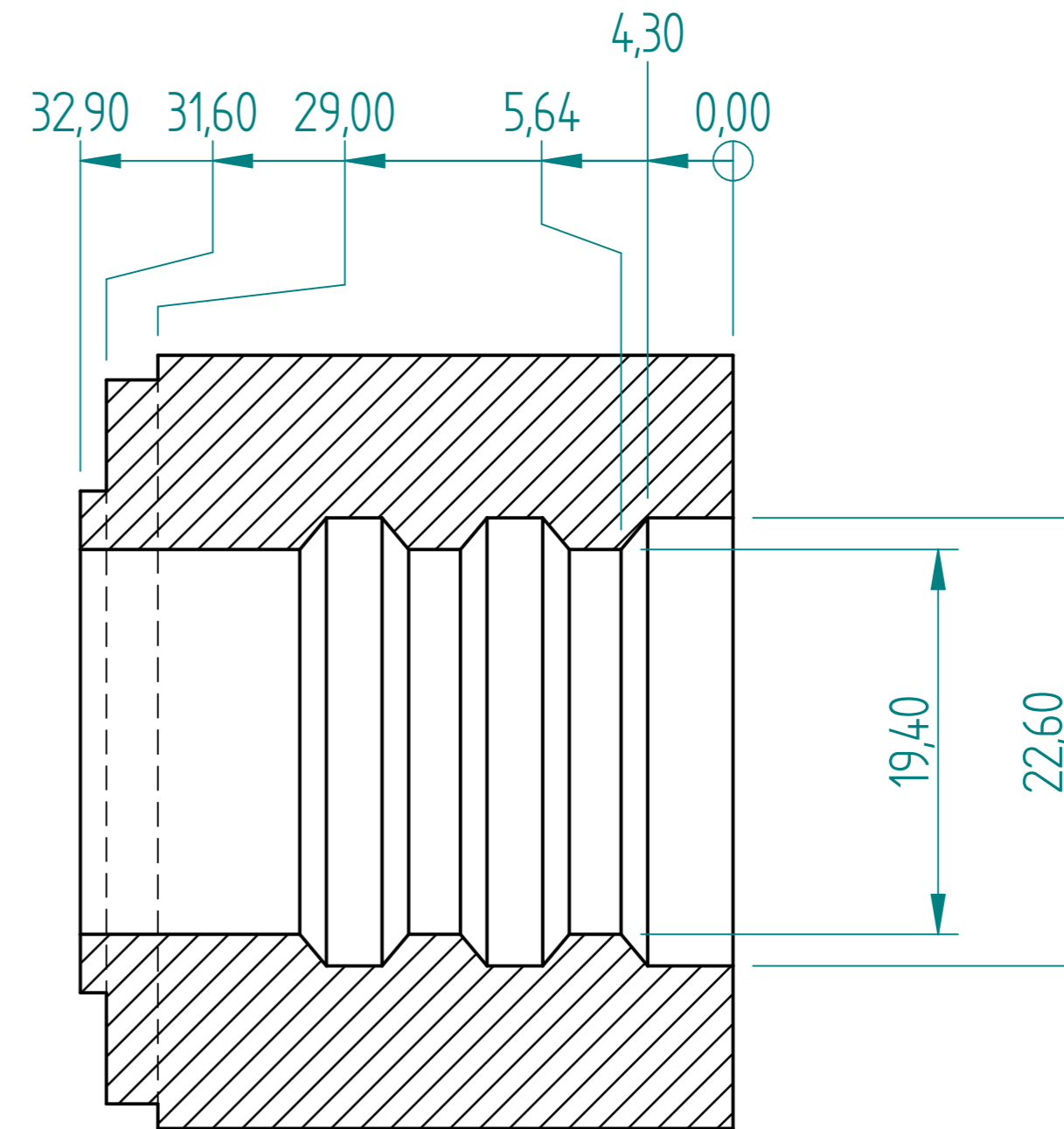
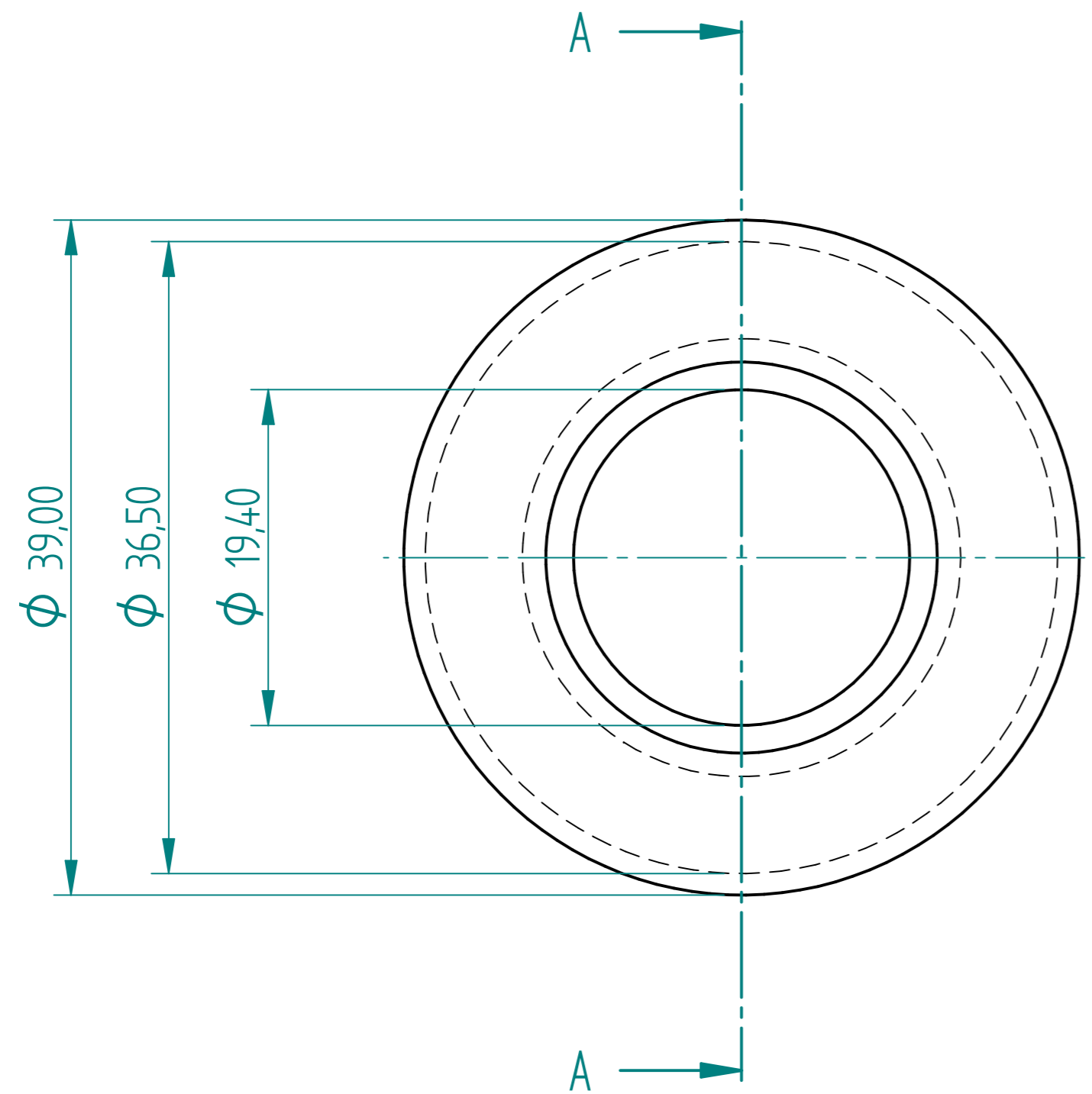


REVISION HISTORY			
REV	DESCRIPTION	DATE	APPROVED



DRAWN	OG	DATE	09/04/23	PREMAC	
APPROVED					
MATERIAL					
TREATMENT					
UNLESS OTHERWISE SPECIFIED DIMENSIONS ARE IN MILLIMETERS ANGLES ±0.1° 1st ANGLE				SIZE A4	DWG NO
2 PL ±0.02 3 PL ±0.005				FILE NAME: Detent In Spring Centered Bonnet Ass.dft	REV
SCALE:		WEIGHT:		SHEET 1 OF 3	

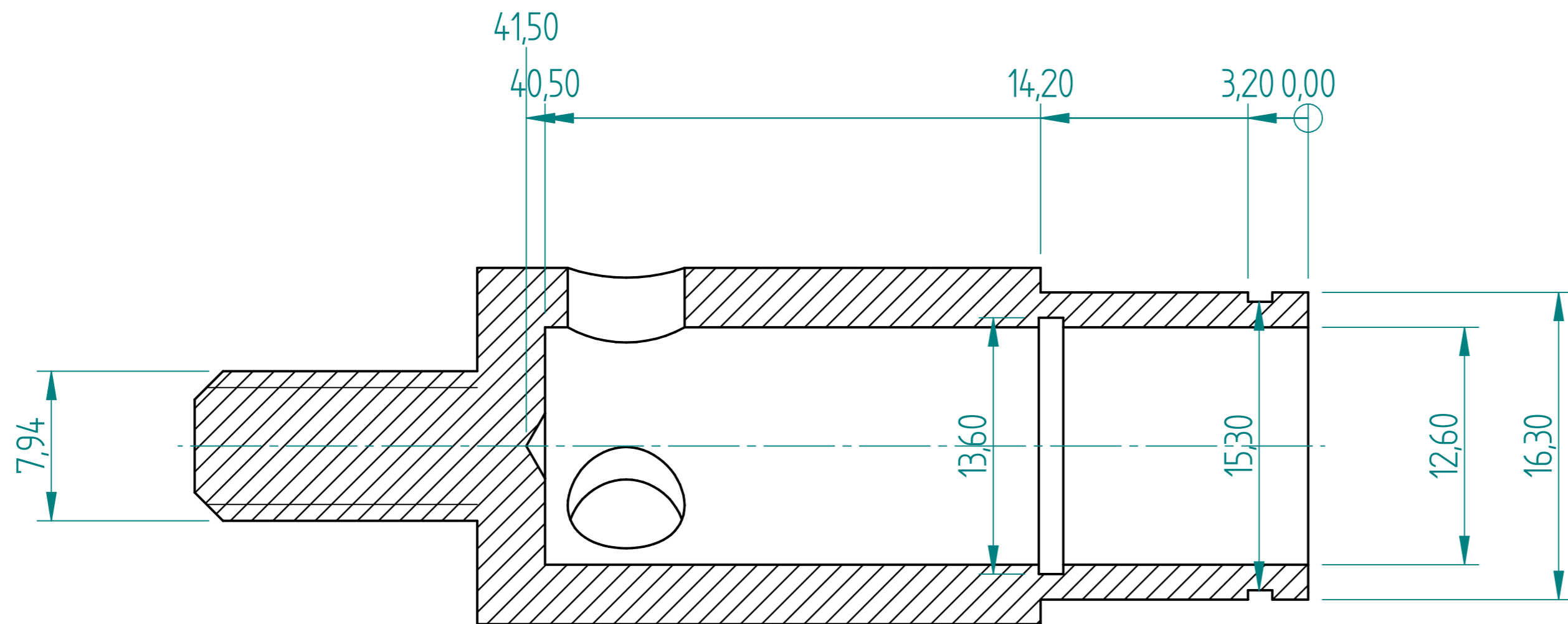
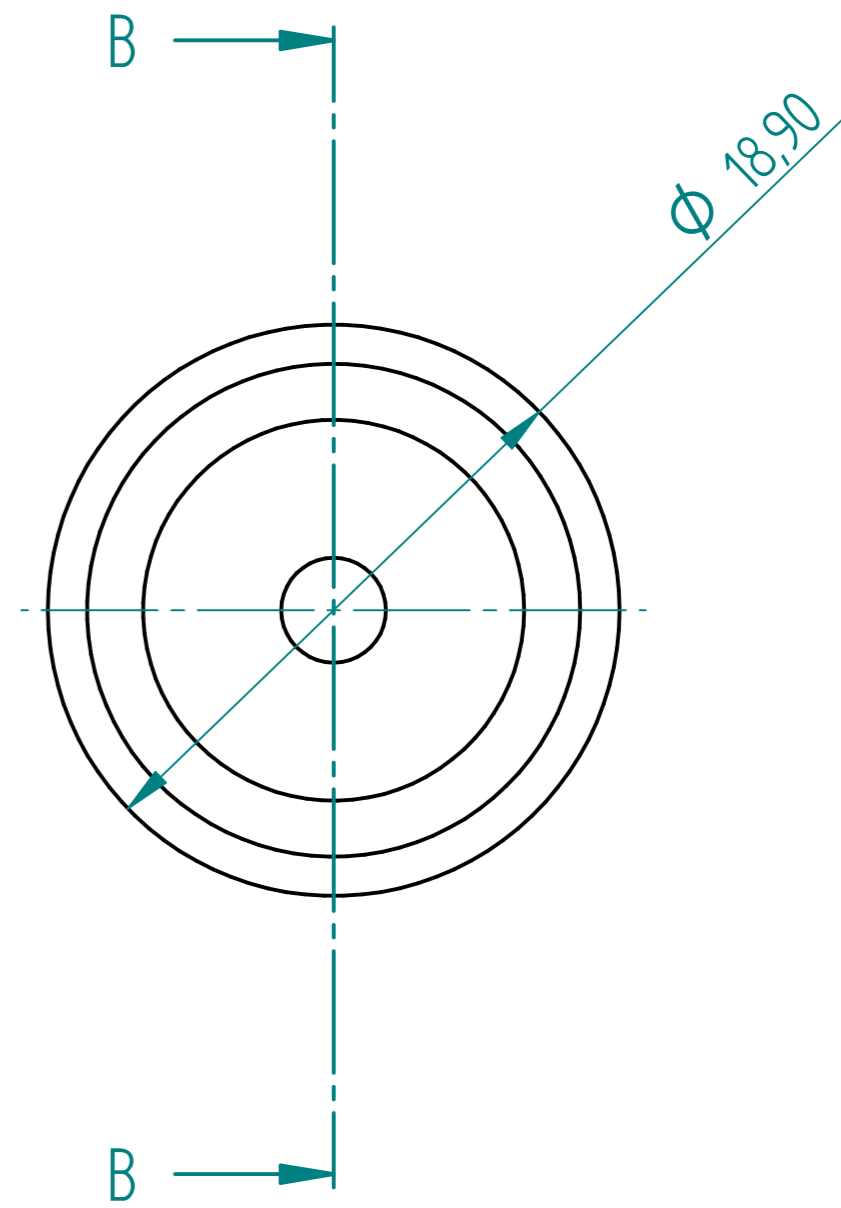
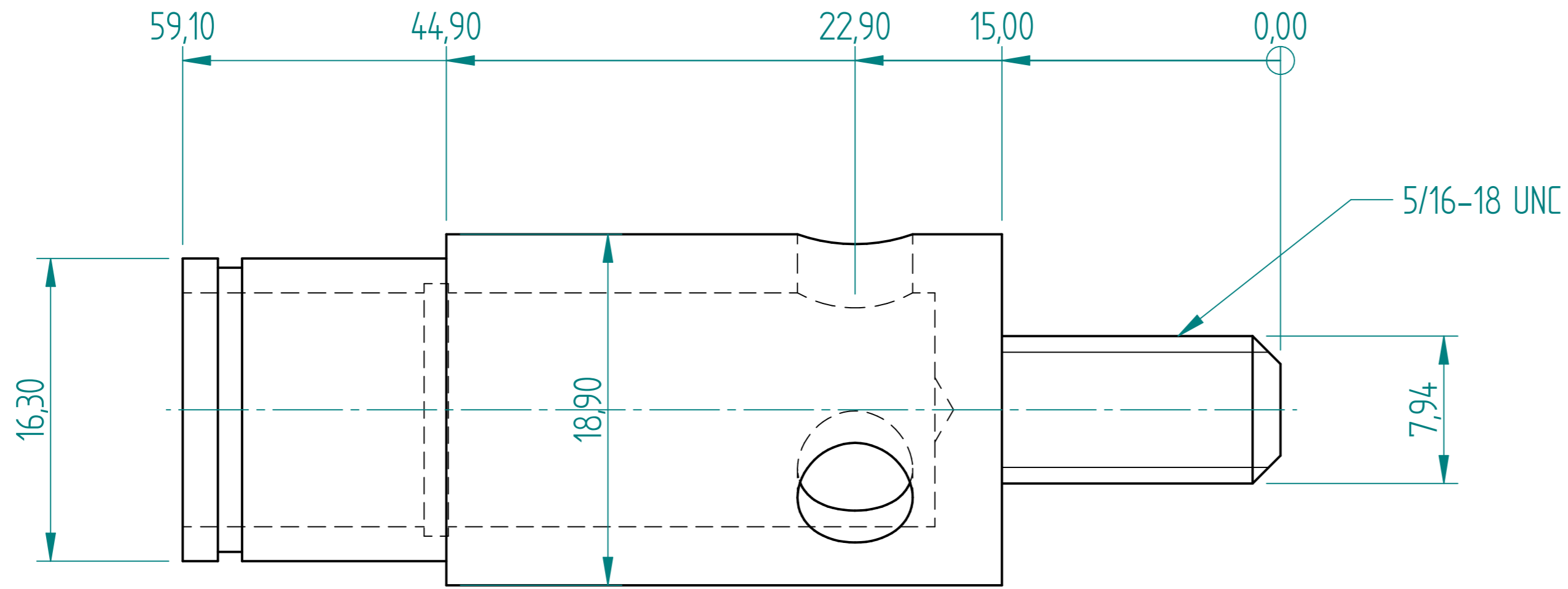
REVISION HISTORY			
REV	DESCRIPTION	DATE	APPROVED



SECTION A-A

	NAME	DATE	PREMAC	
DRAWN	DG	09/04/23		
APPROVED				
MATERIAL				
TREATMENT			TITLE	
UNLESS OTHERWISE SPECIFIED DIMENSIONS ARE IN MILLIMETERS			SIZE A4	DWG NO
1 ST ANGLE ANGLES $\pm 0,1^\circ$			FILE NAME: Detent In Spring Centered Bonnet Ass.dft	REV
2 PL $\pm 0,02$ 3 PL $\pm 0,005$			SCALE:	WEIGHT:
			SHEET 2 OF 3	

REVISION HISTORY			
REV	DESCRIPTION	DATE	APPROVED



SECTION B-B

	NAME	DATE	PREMAC	
DRAWN	DG	09/04/23		
APPROVED				
MATERIAL				
TREATMENT			TITLE	
UNLESS OTHERWISE SPECIFIED DIMENSIONS ARE IN MILLIMETERS ANGLES $\pm 0,1^\circ$			SIZE A4	DWG NO
1 ST ANGLE 			FILE NAME: Detent In Spring Centered Bonnet Ass.dft	REV
2 PL $\pm 0,02$ 3 PL $\pm 0,005$			SCALE:	WEIGHT:
			SHEET 3 OF 3	